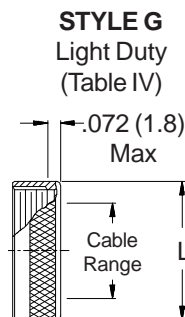
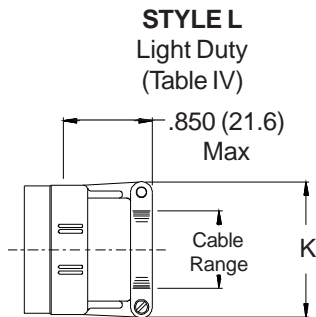
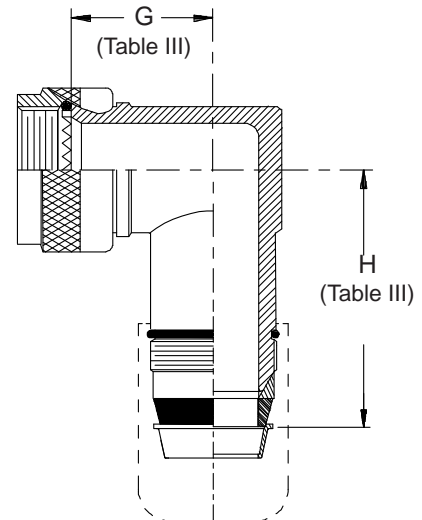
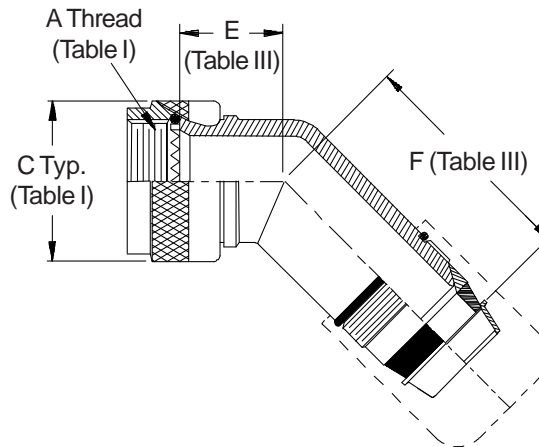
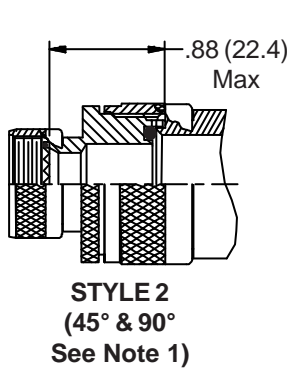
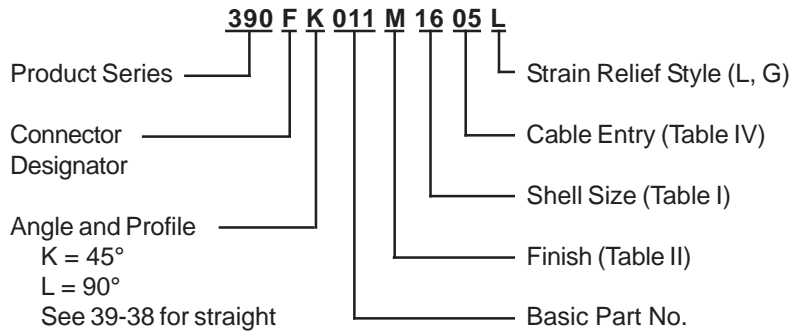


**CONNECTOR  
 DESIGNATORS  
 A-F-H-L-S  
 ROTATABLE  
 COUPLING**

**TYPE C OVERALL  
 SHIELD TERMINATION**



**-445** Now Available with the "NESTOR"

**Add "-445" to Specify Glenair's Non-Detent, Spring-Loaded, Self-Locking Coupling. See Page 41 for Details.**

See inside back cover fold-out or pages 13 and 14 for Tables I and II.

<b>TABLE III: ELBOW DIMENSIONS</b>									
Shell Size		E		F		G		H	
Conn. Desig.	H	±.062	±(1.6)	±.062	±(1.6)	±.062	±(1.6)	±.062	±(1.6)
A-F-L-S	H								
08	09	.398	(10.1)	2.210	(56.1)	.438	(11.1)	2.080	(52.8)
10	11	.458	(11.6)	2.270	(57.7)	.533	(13.5)	2.120	(53.8)
12	13	.518	(13.2)	2.330	(59.2)	.548	(13.9)	2.090	(53.1)
14	15	.588	(14.9)	2.420	(61.5)	.638	(16.2)	2.090	(53.1)
16	17	.678	(17.2)	2.530	(64.3)	.823	(20.9)	2.130	(54.1)
18	19	.868	(22.0)	2.720	(69.1)	.913	(23.2)	2.250	(57.2)
20	21	.868	(22.0)	2.720	(69.1)	.913	(23.2)	2.180	(55.4)
22	23	.958	(24.3)	2.870	(72.9)	1.063	(27.0)	2.240	(56.9)
24	25	.958	(24.3)	2.870	(72.9)	1.063	(27.0)	2.170	(55.1)
28		1.041	(26.4)	3.020	(76.7)	1.230	(31.2)	2.320	(58.9)
32		1.092	(27.7)	3.270	(83.1)	1.610	(40.9)	2.570	(65.3)
36		1.138	(28.9)	3.500	(88.9)	1.720	(43.7)	2.800	(71.1)

<b>TABLE IV: CABLE ENTRY</b>					
Dash No.	K	L	Cable Range		
	Max	Max	Min	Max	
01	.781 (19.8)	.593 (15.1)	.062 (1.6)	.125 (3.2)	.250 (6.4)
02	.968 (24.6)	.718 (18.2)	.125 (3.2)	.250 (6.4)	.375 (9.5)
03	1.046 (26.6)	.843 (21.4)	.250 (6.4)	.375 (9.5)	.500 (12.7)
04	1.156 (29.4)	.968 (24.6)	.375 (9.5)	.500 (12.7)	.625 (15.9)
05	1.218 (30.9)	1.109 (28.2)	.500 (12.7)	.625 (15.9)	.750 (19.1)
06	1.343 (34.1)	1.218 (30.9)	.625 (15.9)	.750 (19.1)	.875 (22.2)
07	1.468 (37.3)	1.343 (34.1)	.750 (19.1)	.875 (22.2)	1.000 (25.4)
08	1.593 (40.5)	1.468 (37.3)	.875 (22.2)	1.000 (25.4)	1.125 (28.6)
09	1.718 (43.6)	1.593 (40.5)	1.000 (25.4)	1.125 (28.6)	1.250 (31.8)
10	1.843 (46.8)	1.718 (43.6)	1.125 (28.6)	1.250 (31.8)	

1. When maximum cable entry (page 21) is exceeded, Style 2 will be supplied. Dimensions E, F, G and H will not apply. Please consult factory.
2. Metric dimensions (mm) are indicated in parentheses.
3. Cable range is defined as the accommodations range for the wire bundle or cable. Dimensions shown are not intended for inspection criteria.
4. Consult factory for shorter lengths on straight backshells.
5. Interface O-Ring not supplied with Connector Designator A.
6. -445 modification not available on MIL-DTL-38999 Series II.