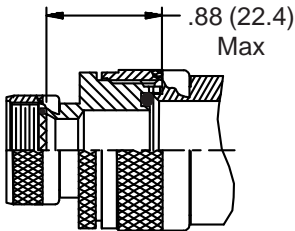


**CONNECTOR
 DESIGNATORS
 A-F-H-L-S
 ROTATABLE
 COUPLING**

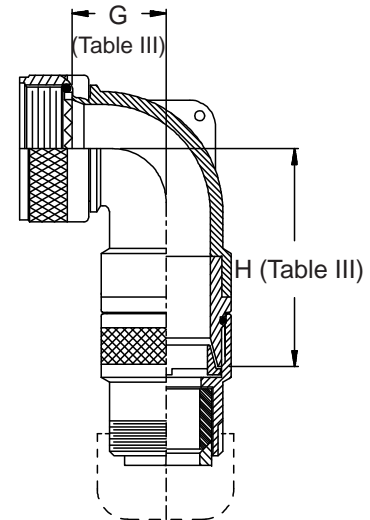
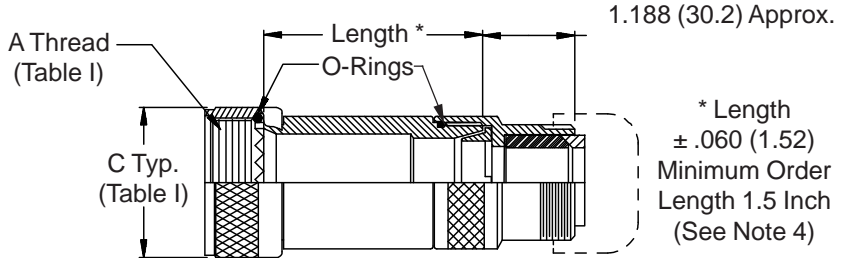
**TYPE B INDIVIDUAL
 AND/OR OVERALL
 SHIELD TERMINATION**



**STYLE 2
 (STRAIGHT
 See Note 1)**



**STYLE 2
 (45° & 90°
 See Note 1)**



**STYLE H
 Heavy Duty
 (Table X)**



**STYLE A
 Medium Duty
 (Table XI)**



**STYLE M
 Medium Duty
 (Table XI)**



**STYLE D
 Medium Duty
 (Table XI)**



390-005
Submersible EMI/RFI Cable Sealing Backshell
 with Strain Relief
Type B - Rotatable Coupling - Low Profile



See inside back cover fold-out or pages 13 and 14 for Tables I and II.

TABLE III: ELBOW DIMENSIONS						
Shell Size Conn. Desig.		E	F	G	H	
A-F-L-S	H	Max	Max	Max	Max	Max
08	09			.500 (12.7)	2.551	(64.8)
10	11	.520 (13.2)	2.601 (66.1)	.595 (15.1)	2.671	(67.8)
12	13	.582 (14.8)	2.661 (67.6)	.610 (15.5)	2.691	(68.4)
14	15	.645 (16.4)	3.091 (78.5)	.700 (17.8)	3.101	(78.8)
16	17	.738 (18.7)	3.201 (81.3)	.885 (22.5)	3.191	(81.1)
18	19	.926 (23.5)	3.391 (86.1)	.975 (24.8)	3.361	(85.4)
20	21	.926 (23.5)	3.391 (86.1)	.975 (24.8)	3.361	(85.4)
22	23	1.020 (25.9)	3.604 (91.5)	1.125 (28.6)	3.534	(89.8)
24	25	1.020 (25.9)	3.604 (91.5)	1.125 (28.6)	3.534	(89.8)
28		1.145 (29.1)	3.637 (92.4)	1.225 (31.1)	3.687	(93.6)
32		1.207 (30.7)	3.737 (94.9)	1.575 (40.0)	3.937	(100.0)
36		1.238 (31.4)	3.877 (98.5)	1.775 (45.1)	3.987	(101.3)

1. When maximum cable entry (page 21) is exceeded, Style 2 will be supplied. Dimensions E, F, G and H will not apply. Please consult factory.
2. Metric dimensions (mm) are indicated in parentheses.
3. Cable range is defined as the accommodations range for the wire bundle or cable. Dimensions shown are not intended for inspection criteria.
4. Consult factory for shorter lengths on straight backshells.
5. Interface O-Ring not supplied with connector designator A.

TABLE X: CABLE ENTRY						
Dash No.	T Max	V Max	Cable Range			
			Min	Max		
04	.780 (19.8)	.957 (24.3)	.125 (3.2)	.312	(7.9)	
06	.780 (19.8)	1.145 (29.1)	.250 (6.4)	.437	(11.1)	
08	.780 (19.8)	1.332 (33.8)	.387 (9.8)	.562	(14.3)	
10	.780 (19.8)	1.332 (33.8)	.350 (8.9)	.625	(15.9)	
12	.811 (20.6)	1.551 (39.4)	.500 (12.7)	.750	(19.1)	
16	.905 (23.0)	1.770 (45.0)	.625 (15.9)	.937	(23.8)	
20	1.092 (27.7)	2.113 (53.7)	.875 (22.2)	1.250	(31.8)	
24	1.124 (28.5)	2.363 (60.0)	1.000 (25.4)	1.375	(34.9)	
28	1.399 (35.5)	2.770 (70.4)	1.250 (31.8)	1.625	(41.3)	
32	1.399 (35.5)	3.020 (76.7)	1.437 (36.5)	1.875	(47.6)	

TABLE XI: CABLE ENTRY							
Dash No.	W Max	X Max	Y Max	Z Max	Cable Range		
					Min	Max	
03*	.437 (11.1)	.760 (19.3)	.843 (21.4)	.630 (16.0)	.156 (4.0)	.250 (6.4)	
04*	.437 (11.1)	.760 (19.3)	.906 (23.0)	.755 (19.2)	.188 (4.8)	.312 (7.9)	
06*	.500 (12.7)	.760 (19.3)	1.093 (27.8)	.942 (23.9)	.281 (7.1)	.438 (11.1)	
08	.563 (14.3)	.760 (19.3)	1.187 (30.1)	1.067 (27.1)	.387 (9.8)	.562 (14.3)	
10	.563 (14.3)	.760 (19.3)	1.281 (32.5)	1.192 (30.3)	.375 (9.5)	.625 (15.9)	
12	.563 (14.3)	.760 (19.3)	1.500 (38.1)	1.380 (35.1)	.438 (11.1)	.750 (19.1)	
16	.656 (16.7)	1.073 (27.3)	1.719 (43.7)	1.535 (39.0)	.625 (15.9)	.938 (23.8)	
20	.656 (16.7)	1.323 (33.6)	2.062 (52.4)	1.848 (46.9)	.875 (22.2)	1.250 (31.8)	
24	.656 (16.7)	1.323 (33.6)	2.312 (58.7)	2.255 (57.3)	1.000 (25.4)	1.375 (34.9)	
28	1.188 (30.2)	1.572 (39.9)	2.719 (69.1)	2.505 (63.6)	1.250 (31.8)	1.625 (41.3)	
32*	1.187 (30.1)	1.572 (39.9)	2.969 (75.4)	2.755 (70.0)	1.437 (36.5)	1.875 (47.6)	
40*	1.125 (28.6)	1.572 (39.9)	3.531 (89.7)	3.255 (82.7)	1.875 (47.6)	2.375 (60.3)	

* Not available in Style M clamp.