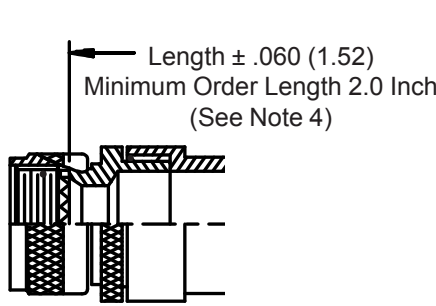
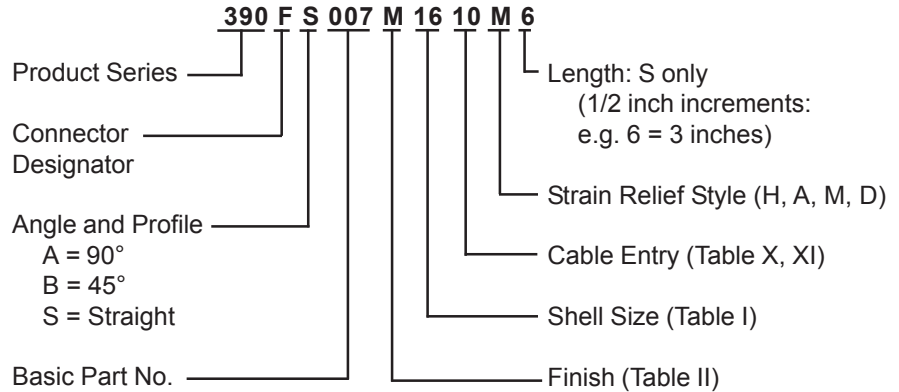
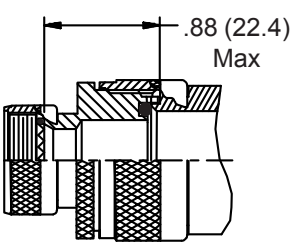


**CONNECTOR
 DESIGNATORS
 A-F-H-L-S
 ROTATABLE
 COUPLING**

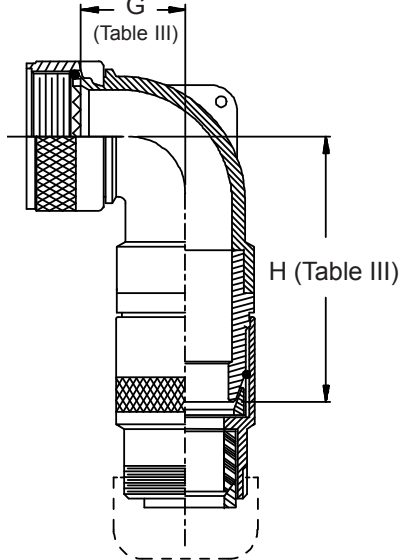
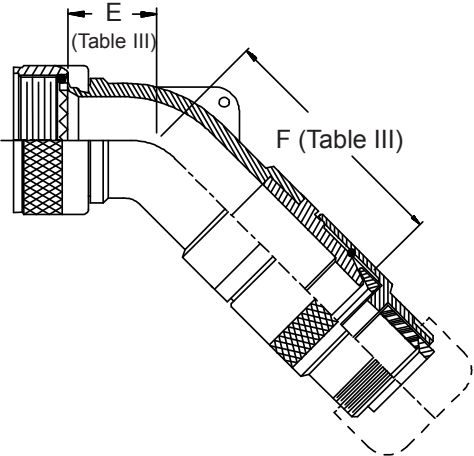
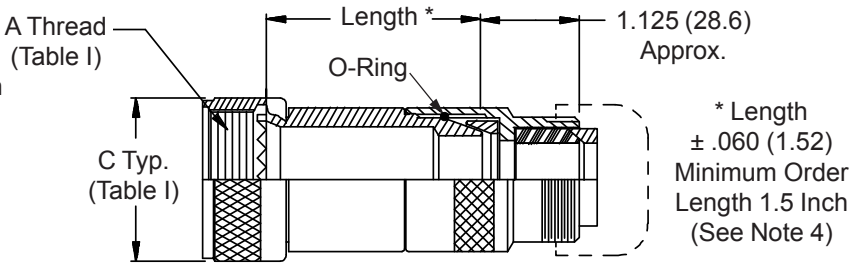
**TYPE C OVERALL
 SHIELD TERMINATION**



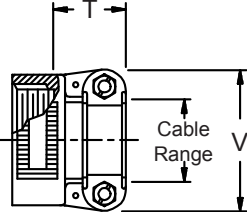
**STYLE 2
 (STRAIGHT
 See Note 1)**



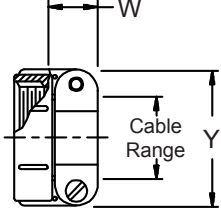
**STYLE 2
 (45° & 90°
 See Note 1)**



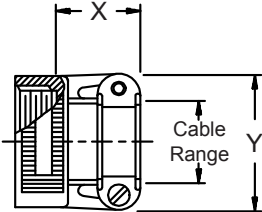
**STYLE H
 Heavy Duty
 (Table X)**



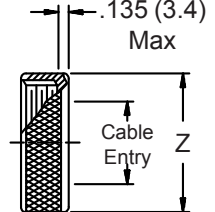
**STYLE A
 Medium Duty
 (Table XI)**



**STYLE M
 Medium Duty
 (Table XI)**



**STYLE D
 Medium Duty
 (Table XI)**



390-007
Submersible EMI/RFI Cable Sealing Backshell
 with Strain Relief
 Type C - Rotatable Coupling - Low Profile



See inside back cover fold-out or pages 13 and 14 for Tables I and II.

| TABLE III: ELBOW DIMENSIONS | | | | | | | |
|-----------------------------|----|--------------|--|---------------|--|--------------|---------------|
| Shell Size | | | | | | | |
| Conn. Desig. | H | E | | F | | G | |
| A-F-L-S | | Max | | Max | | Max | |
| 08 | 09 | | | | | .500 (12.7) | 2.725 (69.2) |
| 10 | 11 | .520 (13.2) | | 2.775 (70.5) | | .595 (15.1) | 2.845 (72.3) |
| 12 | 13 | .582 (14.8) | | 2.835 (72.0) | | .610 (15.5) | 2.865 (72.8) |
| 14 | 15 | .645 (16.4) | | 3.554 (90.3) | | .700 (17.8) | 3.564 (90.5) |
| 16 | 17 | .738 (18.7) | | 3.664 (93.1) | | .885 (22.5) | 3.654 (92.8) |
| 18 | 19 | .926 (23.5) | | 3.854 (97.9) | | .975 (24.8) | 3.824 (97.1) |
| 20 | 21 | .926 (23.5) | | 3.854 (97.9) | | .975 (24.8) | 3.824 (97.1) |
| 22 | 23 | 1.020 (25.9) | | 4.192 (106.5) | | 1.125 (28.6) | 4.122 (104.7) |
| 24 | 25 | 1.020 (25.9) | | 4.192 (106.5) | | 1.125 (28.6) | 4.122 (104.7) |
| 28 | | 1.145 (29.1) | | 4.225 (107.3) | | 1.225 (31.1) | 4.275 (108.6) |
| 32 | | 1.207 (30.7) | | 4.325 (109.9) | | 1.575 (40.0) | 4.525 (114.9) |
| 36 | | 1.238 (31.4) | | 4.465 (113.4) | | 1.775 (45.1) | 4.575 (116.2) |

| TABLE X: CABLE ENTRY | | | | | | | |
|----------------------|--------------|--------------|--------------|--------------|-----|--|--|
| Dash No. | T Max | V Max | Cable Range | | | | |
| | | | Min | | Max | | |
| 04 | .780 (19.8) | .957 (24.3) | .125 (3.2) | .312 (7.9) | | | |
| 06 | .780 (19.8) | 1.145 (29.1) | .250 (6.4) | .437 (11.1) | | | |
| 08 | .780 (19.8) | 1.332 (33.8) | .387 (9.8) | .562 (14.3) | | | |
| 10 | .780 (19.8) | 1.332 (33.8) | .350 (8.9) | .625 (15.9) | | | |
| 12 | .811 (20.6) | 1.551 (39.4) | .500 (12.7) | .750 (19.1) | | | |
| 16 | .905 (23.0) | 1.770 (45.0) | .625 (15.9) | .937 (23.8) | | | |
| 20 | 1.092 (27.7) | 2.113 (53.7) | .875 (22.2) | 1.250 (31.8) | | | |
| 24 | 1.124 (28.5) | 2.363 (60.0) | 1.000 (25.4) | 1.375 (34.9) | | | |
| 28 | 1.399 (35.5) | 2.770 (70.4) | 1.250 (31.8) | 1.625 (41.3) | | | |
| 32 | 1.399 (35.5) | 3.020 (76.7) | 1.437 (36.5) | 1.875 (47.6) | | | |

- When maximum cable entry (page 21) is exceeded, Style 2 will be supplied. Dimensions E, F, G and H will not apply. Please consult factory.
- Metric dimensions (mm) are indicated in parentheses.
- Cable range is defined as the accommodations range for the wire bundle or cable. Dimensions shown are not intended for inspection criteria.
- Consult factory for shorter lengths on straight backshells.
- Interface O-Ring not supplied with connector designator A.

| TABLE XI: CABLE ENTRY | | | | | | | |
|-----------------------|--------------|--------------|--------------|--------------|--------------|--------------|--|
| Dash No. | W Max | X Max | Y Max | Z Max | Cable Range | | |
| | | | | | Min | Max | |
| 03* | .437 (11.1) | .760 (19.3) | .843 (21.4) | .630 (16.0) | .156 (4.0) | .250 (6.4) | |
| 04* | .437 (11.1) | .760 (19.3) | .906 (23.0) | .755 (19.2) | .188 (4.8) | .312 (7.9) | |
| 06* | .500 (12.7) | .760 (19.3) | 1.093 (27.8) | .942 (23.9) | .281 (7.1) | .438 (11.1) | |
| 08 | .563 (14.3) | .760 (19.3) | 1.187 (30.1) | 1.067 (27.1) | .387 (9.8) | .562 (14.3) | |
| 10 | .563 (14.3) | .760 (19.3) | 1.281 (32.5) | 1.192 (30.3) | .375 (9.5) | .625 (15.9) | |
| 12 | .563 (14.3) | .760 (19.3) | 1.500 (38.1) | 1.380 (35.1) | .438 (11.1) | .750 (19.1) | |
| 16 | .656 (16.7) | 1.073 (27.3) | 1.719 (43.7) | 1.535 (39.0) | .625 (15.9) | .938 (23.8) | |
| 20 | .656 (16.7) | 1.323 (33.6) | 2.062 (52.4) | 1.848 (46.9) | .875 (22.2) | 1.250 (31.8) | |
| 24 | .656 (16.7) | 1.323 (33.6) | 2.312 (58.7) | 2.255 (57.3) | 1.000 (25.4) | 1.375 (34.9) | |
| 28 | 1.188 (30.2) | 1.572 (39.9) | 2.719 (69.1) | 2.505 (63.6) | 1.250 (31.8) | 1.625 (41.3) | |
| 32* | 1.187 (30.1) | 1.572 (39.9) | 2.969 (75.4) | 2.755 (70.0) | 1.437 (36.5) | 1.875 (47.6) | |
| 40* | 1.125 (28.6) | 1.572 (39.9) | 3.531 (89.7) | 3.255 (82.7) | 1.875 (47.6) | 2.375 (60.3) | |

* Not available in Style M clamp (Style A clamp supplied).