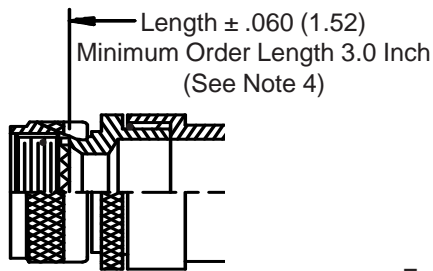
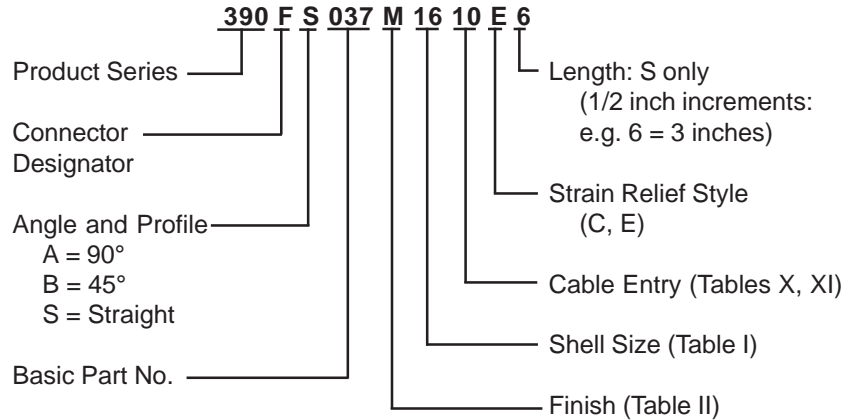
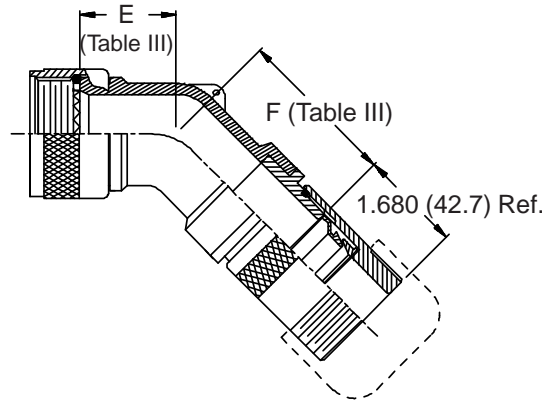
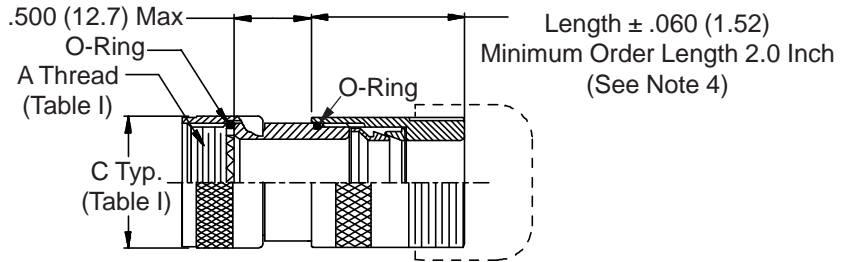


**CONNECTOR  
 DESIGNATORS  
 A-F-H-L-S  
 ROTATABLE  
 COUPLING**

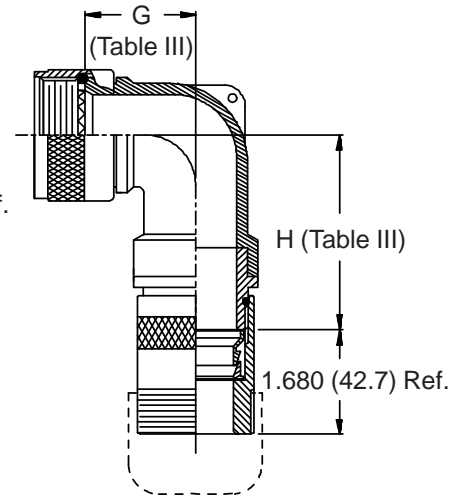
**TYPE G INDIVIDUAL  
 AND/OR OVERALL  
 SHIELD TERMINATION**



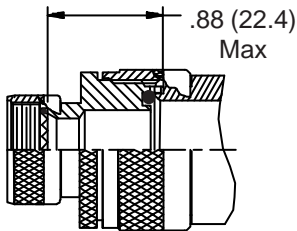
**STYLE 2  
 (STRAIGHT  
 See Note 1)**



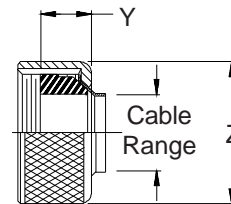
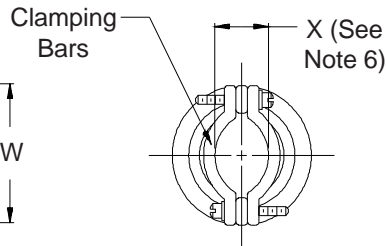
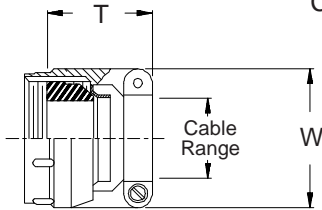
**STYLE 2  
 (45° & 90°  
 See Note 1)**



**STYLE E  
 Medium Duty  
 (Table XI)**



**STYLE C  
 Medium Duty  
 (Table X)**



## Submersible EMI/RFI Cable Sealing Backshell with Strain Relief Type G - Rotatable Coupling - Low Profile

TABLE III

Shell Size Conn. Desig. A-F-L-S H		E Max	F Max	G Max	H Max
08	09	.457 (11.6)	1.780 (45.2)	.500 (12.7)	1.780 (45.2)
10	11	.520 (13.2)	1.840 (46.7)	.595 (15.1)	1.910 (48.5)
12	13	.582 (14.8)	1.900 (48.3)	.610 (15.5)	1.930 (49.0)
14	15	.645 (16.4)	2.220 (56.4)	.700 (17.8)	2.230 (56.6)
16	17	.738 (18.7)	2.330 (59.2)	.885 (22.5)	2.320 (58.9)
18	19	.926 (23.5)	2.520 (64.0)	.975 (24.8)	2.490 (63.2)
20	21	.926 (23.5)	2.520 (64.0)	.975 (24.8)	2.490 (63.2)
22	23	1.020 (25.9)	2.670 (67.8)	1.125 (28.6)	2.600 (66.0)
24	25	1.020 (25.9)	2.670 (67.8)	1.125 (28.6)	2.600 (66.0)
28		1.145 (29.1)	2.720 (69.1)	1.225 (31.1)	2.770 (70.4)
32		1.207 (30.7)	2.820 (71.6)	1.575 (40.0)	3.020 (76.7)
36		1.238 (31.4)	2.910 (73.9)	1.775 (45.1)	3.020 (76.7)

See inside back cover  
fold-out or pages 13 and  
14 for Tables I and II.

TABLE X

Dash No.	T Max	W Max	X Ref	Cable Range	
				Min	Max
03	1.219 (31.0)	.812 (20.6)	.135 (3.4)	.156 (4.0)	.219 (5.6)
04	1.219 (31.0)	.937 (23.8)	.203 (5.2)	.188 (4.8)	.312 (7.9)
06	1.219 (31.0)	1.062 (27.0)	.285 (7.2)	.281 (7.1)	.438 (11.1)
08	1.219 (31.0)	1.188 (30.2)	.350 (8.9)	.312 (7.9)	.531 (13.5)
10	1.281 (32.5)	1.312 (33.3)	.390 (9.9)	.375 (9.5)	.625 (15.9)
12	1.281 (32.5)	1.562 (39.7)	.460 (11.7)	.500 (12.7)	.750 (19.1)
16	1.406 (35.7)	1.750 (44.5)	.510 (13.0)	.625 (15.9)	.938 (23.8)
20	1.656 (42.1)	2.250 (57.2)	.695 (17.7)	.938 (23.8)	1.250 (31.8)
24	1.906 (48.4)	2.375 (60.3)	.715 (18.2)	1.000 (25.4)	1.375 (34.9)
28	1.906 (48.4)	2.625 (66.7)	.915 (23.2)	1.250 (31.8)	1.625 (41.3)
32	2.000 (50.8)	2.812 (71.4)	1.070 (27.2)	1.500 (38.1)	1.875 (47.6)

TABLE XI

Dash No.	Y Max	Z Max	Cable Range	
			Min	Max
03	.739 (18.8)	.812 (20.6)	.156 (4.0)	.219 (5.6)
04	.739 (18.8)	.937 (23.8)	.188 (4.8)	.312 (7.9)
06	.739 (18.8)	1.062 (27.0)	.281 (7.1)	.438 (11.1)
08	.739 (18.8)	1.188 (30.2)	.312 (7.9)	.531 (13.5)
10	.791 (20.1)	1.312 (33.3)	.375 (9.5)	.625 (15.9)
12	.880 (22.4)	1.562 (39.7)	.500 (12.7)	.750 (19.1)
16	.901 (22.9)	1.750 (44.5)	.625 (15.9)	.938 (23.8)
20	1.031 (26.2)	2.250 (57.2)	.938 (23.8)	1.250 (31.8)
24	1.250 (31.8)	2.375 (60.3)	1.000 (25.4)	1.375 (34.9)
28	1.250 (31.8)	2.625 (66.7)	1.250 (31.8)	1.625 (41.3)
32	1.312 (33.3)	2.812 (71.4)	1.500 (38.1)	1.875 (47.6)

- When maximum cable entry (page 21) is exceeded, Style 2 will be supplied. Dimensions E, F, G and H will not apply. Please consult factory.
- Metric dimensions (mm) are indicated in parentheses.
- Cable range is defined as the accommodations range for the wire bundle or cable. Dimensions shown are not intended for inspection criteria.
- Consult factory for shorter lengths on straight backshells.
- Interface O-Ring not supplied with connector designator A.
- Saddles are bottomed on Clamp Ears.