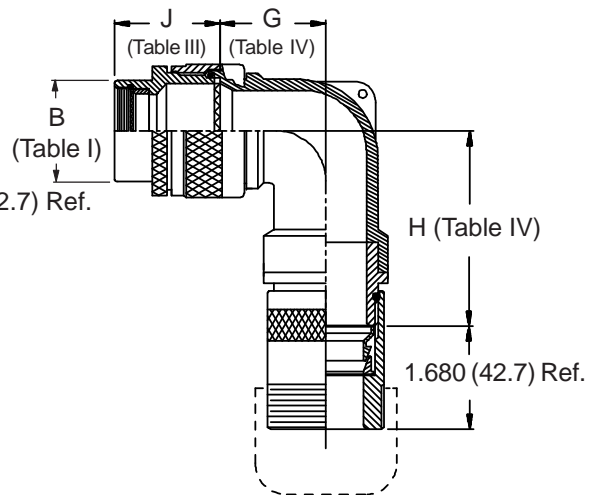
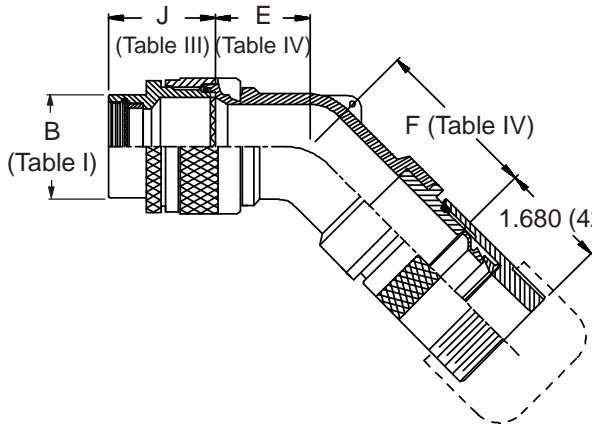
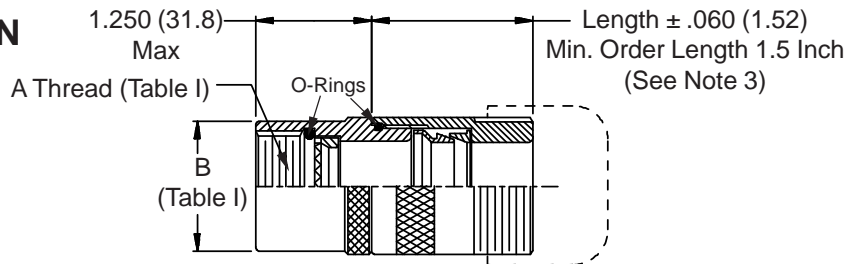
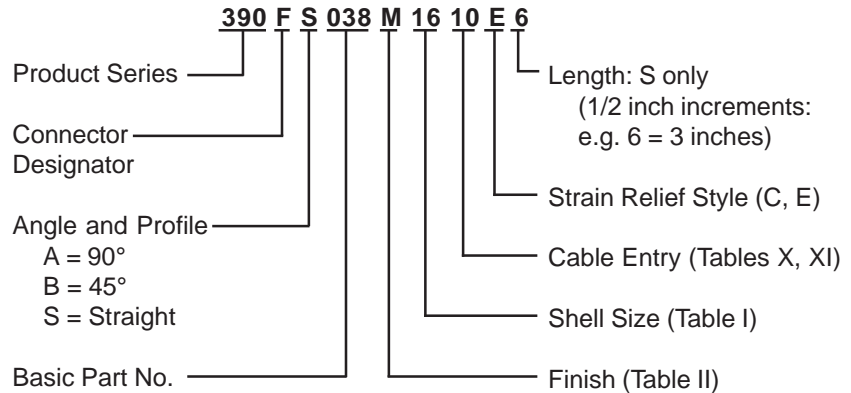


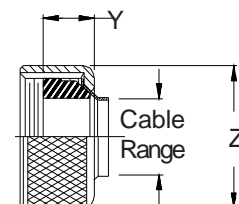
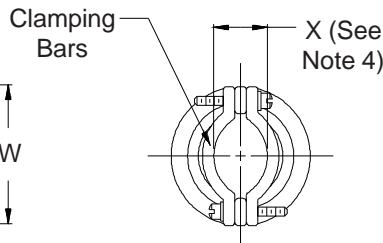
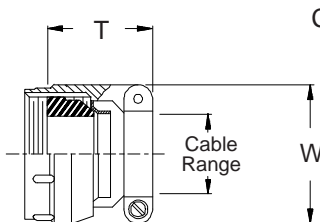
CONNECTOR DESIGNATORS
A-B*-C-D-E-F
G-H-J-K-L-S
 * Conn. Desig. B See Note 5
DIRECT COUPLING

TYPE G INDIVIDUAL AND/OR OVERALL SHIELD TERMINATION



STYLE C
 Medium Duty
 (Table X)

STYLE E
 Medium Duty
 (Table XI)



390-038
Submersible EMI/RFI Cable Sealing Backshell
with Strain Relief
Type G - Direct Coupling - Low Profile



See inside back cover fold-out or pages 13 and 14 for Tables I and II.

TABLE III: FRONT ADAPTER			
Shell Size	J Max - Conn. Designator		
	A-E-F		C
	J-H-L-S	D-B-G-K	
08/09	1.180 (30.0)	1.440 (36.6)	
10/11	1.180 (30.0)	1.440 (36.6)	
12/13	1.180 (30.0)	1.440 (36.6)	1.735 (44.1)
14/15	1.180 (30.0)	1.440 (36.6)	1.915 (48.6)
16/17	1.380 (35.0)	1.560 (39.6)	1.915 (48.6)
18/19	1.380 (35.0)	1.560 (39.6)	1.915 (48.6)
20/21	1.380 (35.0)	1.560 (39.6)	1.915 (48.6)
22/23	1.380 (35.0)	1.560 (39.6)	1.915 (48.6)
24/25	1.380 (35.0)	1.560 (39.6)	1.915 (48.6)
28/29	1.610 (40.9)	1.560 (39.6)	1.915 (48.6)
32/33	1.610 (40.9)	1.750 (44.5)	1.915 (48.6)
36	1.610 (40.9)	1.750 (44.5)	1.915 (48.6)
40	1.610 (40.9)	2.190 (55.6)	1.915 (48.6)

TABLE IV				
Dash No.	E Max	F Max	G Max	H Max
03	.500 (12.7)	1.250 (31.8)	.520 (13.2)	1.140 (29.0)
04	.500 (12.7)	1.610 (40.9)	.520 (13.2)	1.170 (29.7)
06	.590 (15.0)	1.730 (43.9)	.580 (14.7)	1.650 (41.9)
08	.610 (15.5)	1.750 (44.5)	.640 (16.3)	1.720 (43.7)
10	.700 (17.8)	1.820 (46.2)	.730 (18.5)	1.800 (45.7)
12	.880 (22.4)	2.080 (52.8)	.920 (23.4)	1.910 (48.5)
16	.970 (24.6)	2.190 (55.6)	1.020 (25.9)	2.100 (53.3)
20	1.120 (28.4)	2.190 (55.6)	1.040 (26.4)	2.250 (57.2)
24	1.220 (31.0)	2.360 (59.9)	1.040 (26.4)	2.300 (58.4)
28	1.570 (39.9)	2.610 (66.3)	1.090 (27.7)	2.400 (61.0)
32	1.770 (45.0)	2.780 (70.6)	1.180 (30.0)	2.600 (66.0)

TABLE X								
Dash No.	T Max	W Max	X Ref	Cable Range				
				Min	Max			
03	1.219 (31.0)	.812 (20.6)	.135 (3.4)	.156 (4.0)	.219 (5.6)			
04	1.219 (31.0)	.937 (23.8)	.203 (5.2)	.188 (4.8)	.312 (7.9)			
06	1.219 (31.0)	1.062 (27.0)	.285 (7.2)	.281 (7.1)	.438 (11.1)			
08	1.219 (31.0)	1.188 (30.2)	.350 (8.9)	.312 (7.9)	.531 (13.5)			
10	1.281 (32.5)	1.312 (33.3)	.390 (9.9)	.375 (9.5)	.625 (15.9)			
12	1.281 (32.5)	1.562 (39.7)	.460 (11.7)	.500 (12.7)	.750 (19.1)			
16	1.406 (35.7)	1.750 (44.5)	.510 (13.0)	.625 (15.9)	.938 (23.8)			
20	1.656 (42.1)	2.250 (57.2)	.695 (17.7)	.938 (23.8)	1.250 (31.8)			
24	1.906 (48.4)	2.375 (60.3)	.715 (18.2)	1.000 (25.4)	1.375 (34.9)			
28	1.906 (48.4)	2.625 (66.7)	.915 (23.2)	1.250 (31.8)	1.625 (41.3)			
32	2.000 (50.8)	2.812 (71.4)	1.070 (27.2)	1.500 (38.1)	1.875 (47.6)			

TABLE XI					
Dash No.	Y Max	Z Max	Cable Range		
			Min	Max	
03	.739 (18.8)	.812 (20.6)	.156 (4.0)	.219 (5.6)	
04	.739 (18.8)	.937 (23.8)	.188 (4.8)	.312 (7.9)	
06	.739 (18.8)	1.062 (27.0)	.281 (7.1)	.438 (11.1)	
08	.739 (18.8)	1.188 (30.2)	.312 (7.9)	.531 (13.5)	
10	.791 (20.1)	1.312 (33.3)	.375 (9.5)	.625 (15.9)	
12	.880 (22.4)	1.562 (39.7)	.500 (12.7)	.750 (19.1)	
16	.901 (22.9)	1.750 (44.5)	.625 (15.9)	.938 (23.8)	
20	1.031 (26.2)	2.250 (57.2)	.938 (23.8)	1.250 (31.8)	
24	1.250 (31.8)	2.375 (60.3)	1.000 (25.4)	1.375 (34.9)	
28	1.250 (31.8)	2.625 (66.7)	1.250 (31.8)	1.625 (41.3)	
32	1.312 (33.3)	2.812 (71.4)	1.500 (38.1)	1.875 (47.6)	

1. Metric dimensions (mm) are indicated in parentheses.
2. Cable range is defined as the accommodations range for the wire bundle or cable. Dimensions shown are not intended for inspection criteria.
3. Consult factory for shorter lengths on straight backshells.
4. Saddles are bottomed on Clamp Ears.
5. When using Connector Designator B refer to pages 18 and 19 for part number development.