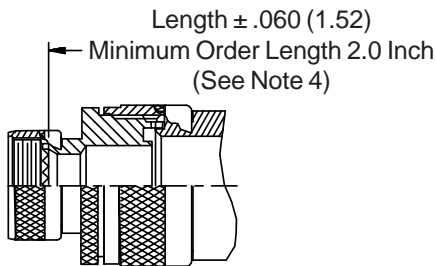
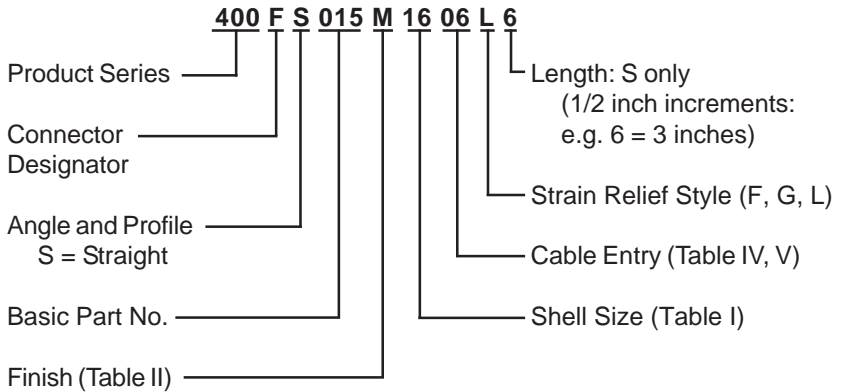
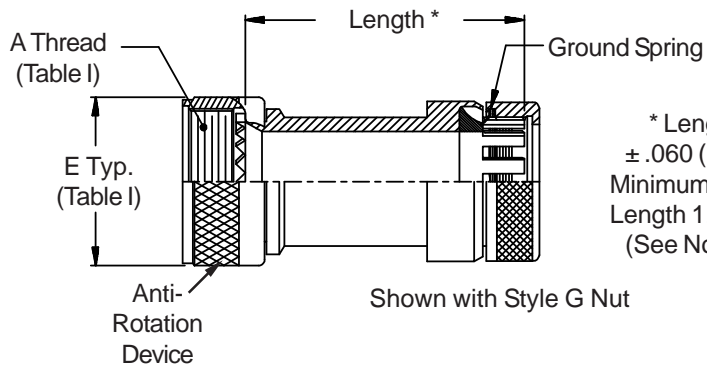


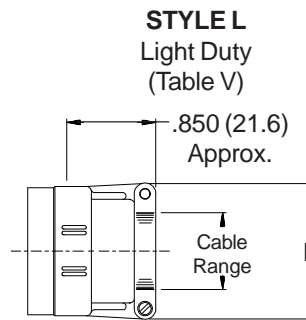
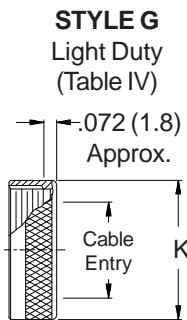
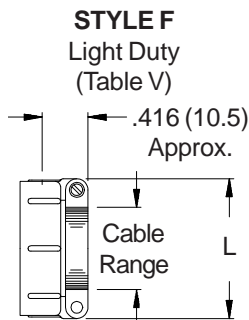
**CONNECTOR  
 DESIGNATORS  
 A-F-H-L-S  
 SELF-LOCKING  
 ROTATABLE  
 COUPLING**



**STYLE 2  
 (STRAIGHT  
 See Note 1)**



\* Length  
 ± .060 (1.52)  
 Minimum Order  
 Length 1.5 Inch  
 (See Note 4)



**400-015**  
**TAG® Ring Backshell**  
with Strain Relief  
**Self-Locking Rotatable Coupling - Straight Only**



**See inside back cover  
fold-out or pages 13 and  
14 for Tables I and II.**

<b>TABLE IV: CABLE ENTRY</b>					
<b>Dash No.</b>	<b>K</b>		<b>Cable Entry</b>		
	<b>Max</b>		<b>Max</b>		
02	.545	(13.8)	.250	(6.4)	
03	.670	(17.0)	.375	(9.5)	
04	.795	(20.2)	.500	(12.7)	
05	.920	(23.4)	.625	(15.9)	
06	1.045	(26.5)	.750	(19.1)	
07	1.170	(29.7)	.875	(22.2)	
08	1.295	(32.9)	1.000	(25.4)	
09	1.420	(36.1)	1.125	(28.6)	
10	1.670	(42.4)	1.250	(31.8)	

<b>TABLE V: CABLE ENTRY</b>					
<b>Dash No.</b>	<b>L</b>		<b>Cable Range</b>		
	<b>Max</b>		<b>Min</b>	<b>Max</b>	
02	.968	(24.6)	.125	(3.2)	.250 (6.4)
03	1.046	(26.6)	.250	(6.4)	.375 (9.5)
04	1.156	(29.4)	.250	(6.4)	.500 (12.7)
05	1.218	(30.9)	.375	(9.5)	.625 (15.9)
06	1.343	(34.1)	.500	(12.7)	.750 (19.1)
07	1.468	(37.3)	.625	(15.9)	.875 (22.2)
08	1.593	(40.5)	.625	(15.9)	1.000 (25.4)
09	1.718	(43.6)	.750	(19.1)	1.125 (28.6)
10	1.843	(46.8)	.875	(22.2)	1.250 (31.8)

1. When maximum cable entry (page 21) is exceeded, Style 2 will be supplied. Please consult factory.
2. Metric dimensions (mm) are indicated in parentheses.
3. Cable range is defined as the accommodations range for the wire bundle or cable. Dimensions shown are not intended for inspection criteria.
4. Consult factory for shorter lengths on straight backshells.