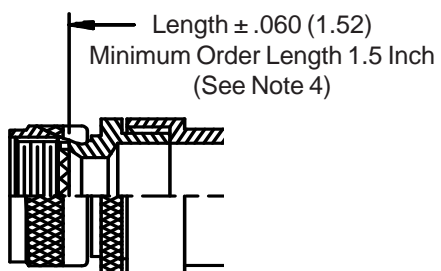
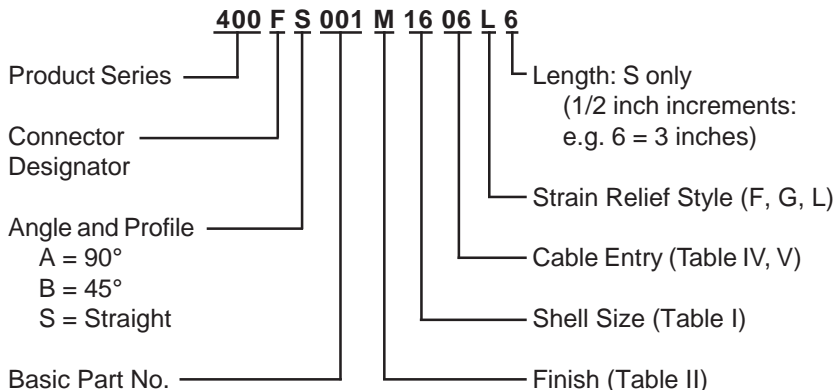
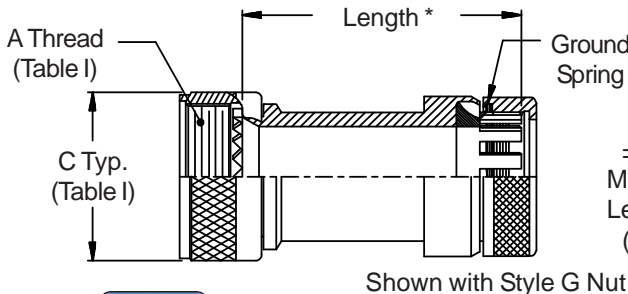


400-001 TAG® Ring Backshell with Strain Relief Rotatable Coupling - Low Profile

CONNECTOR DESIGNATORS A-F-H-L-S ROTATABLE COUPLING

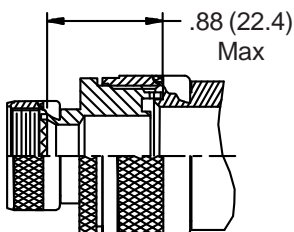


STYLE 2 (STRAIGHT) See Note 1)

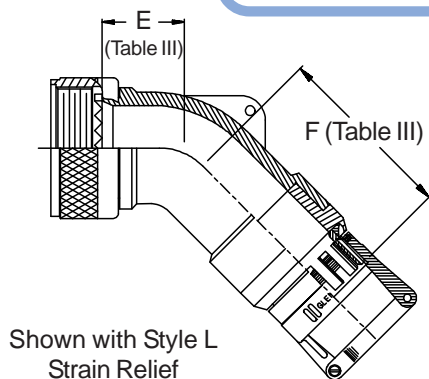


* Length ±.060 (1.52) Minimum Order Length 1.0 Inch (See Note 4)

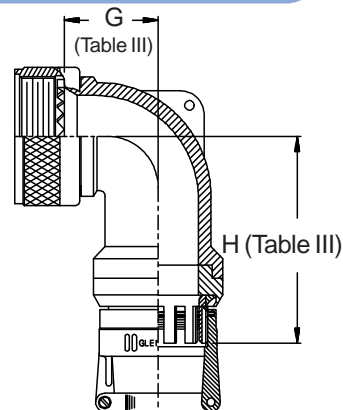
-445 Add "-445" to Specify Glenair's Non-Detent, ("NESTOR") Spring-Loaded, Self-Locking Coupling. See Page 41 for Details.



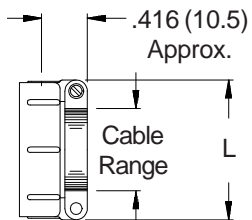
STYLE 2 (45° & 90°) See Note 1)



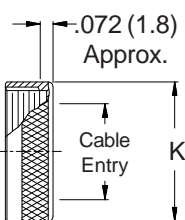
Shown with Style L Strain Relief



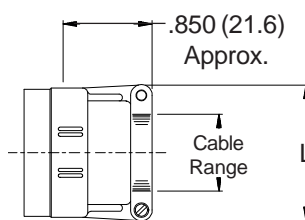
STYLE F Light Duty (Table V)



STYLE G Light Duty (Table IV)



STYLE L Light Duty (Table V)



**400-001
TAG[®] Ring Backshell
with Strain Relief
Rotatable Coupling - Low Profile**



See inside back cover
fold-out or pages 13 and
14 for Tables I and II.

TABLE III: ELBOW DIMENSIONS

Shell Size Conn. Desig.		E		F		G		H	
A-F-L-S	H	Max	(mm)	Max	(mm)	Max	(mm)	Max	(mm)
08	09	.457	(11.6)	1.660	(42.2)	.500	(12.7)	1.670	(42.4)
10	11	.520	(13.2)	1.720	(43.7)	.595	(15.1)	1.790	(45.5)
12	13	.582	(14.8)	1.780	(45.2)	.610	(15.5)	1.810	(46.0)
14	15	.645	(16.4)	1.870	(47.5)	.700	(17.8)	1.880	(47.8)
16	17	.738	(18.7)	1.980	(50.3)	.885	(22.5)	1.970	(50.0)
18	19	.926	(23.5)	2.170	(55.1)	.975	(24.8)	2.140	(54.4)
20	21	.926	(23.5)	2.170	(55.1)	.975	(24.8)	2.140	(54.4)
22	23	1.020	(25.9)	2.320	(58.9)	1.125	(28.6)	2.250	(57.2)
24	25	1.020	(25.9)	2.320	(58.9)	1.125	(28.6)	2.250	(57.2)
28		1.145	(29.1)	2.370	(60.2)	1.225	(31.1)	2.420	(61.5)
32		1.207	(30.7)	2.470	(62.7)	1.575	(40.0)	2.670	(67.8)
36		1.238	(31.4)	2.560	(65.0)	1.775	(45.1)	2.670	(67.8)

TABLE IV: CABLE ENTRY

Dash No.	K Max	Cable Entry Max	
02	.545 (13.8)	.250	(6.4)
03	.670 (17.0)	.375	(9.5)
04	.795 (20.2)	.500	(12.7)
05	.920 (23.4)	.625	(15.9)
06	1.045 (26.5)	.750	(19.1)
07	1.170 (29.7)	.875	(22.2)
08	1.295 (32.9)	1.000	(25.4)
09	1.420 (36.1)	1.125	(28.6)
10	1.670 (42.4)	1.250	(31.8)

TABLE V: CABLE ENTRY

Dash No.	L Max	Cable Range			
		Min		Max	
02	.968 (24.6)	.125	(3.2)	.250	(6.4)
03	1.046 (26.6)	.250	(6.4)	.375	(9.5)
04	1.156 (29.4)	.250	(6.4)	.500	(12.7)
05	1.218 (30.9)	.375	(9.5)	.625	(15.9)
06	1.343 (34.1)	.500	(12.7)	.750	(19.1)
07	1.468 (37.3)	.625	(15.9)	.875	(22.2)
08	1.593 (40.5)	.625	(15.9)	1.000	(25.4)
09	1.718 (43.6)	.750	(19.1)	1.125	(28.6)
10	1.843 (46.8)	.875	(22.2)	1.250	(31.8)

1. When maximum cable entry (page 21) is exceeded, Style 2 will be supplied. Dimensions E, F, G and H will not apply. Please consult factory.
2. Metric dimensions (mm) are indicated in parentheses.
3. Cable range is defined as the accommodations range for the wire bundle or cable. Dimensions shown are not intended for inspection criteria.
4. Consult factory for shorter lengths on straight backshells.