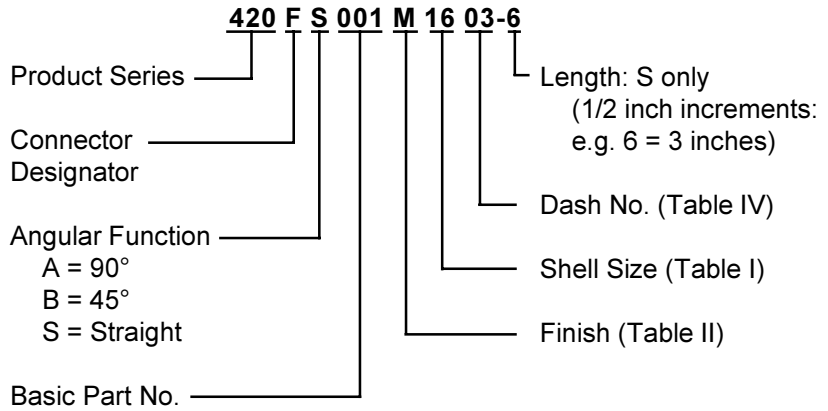
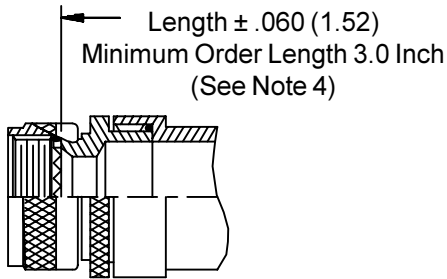


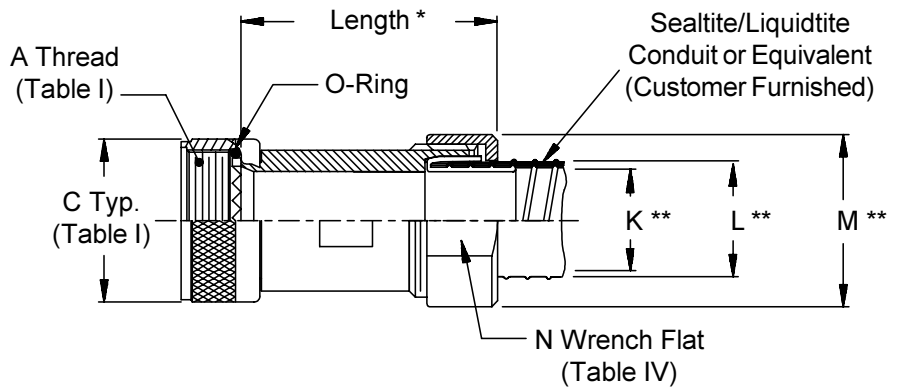
**CONNECTOR
DESIGNATORS
A-F-H-L-S
ROTATABLE
COUPLING**



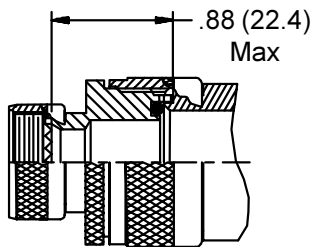
* Length ± .060 (1.52)
Minimum Order Length 2.5 Inch
(See Note 4)



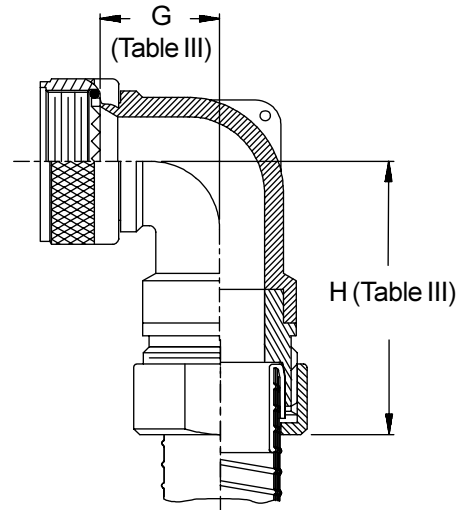
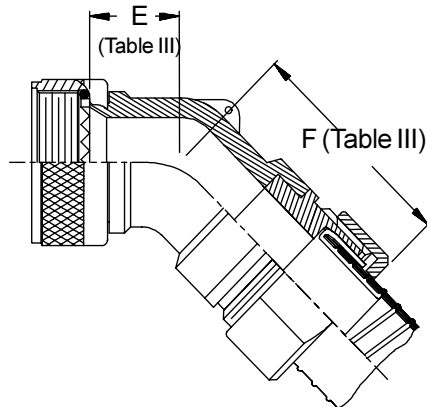
**STYLE 2
(STRAIGHT)**



** (Table IV)



**STYLE 2
(45° & 90°)**



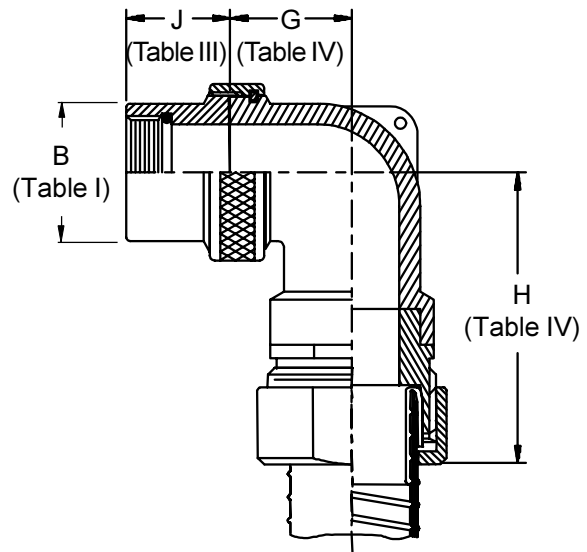
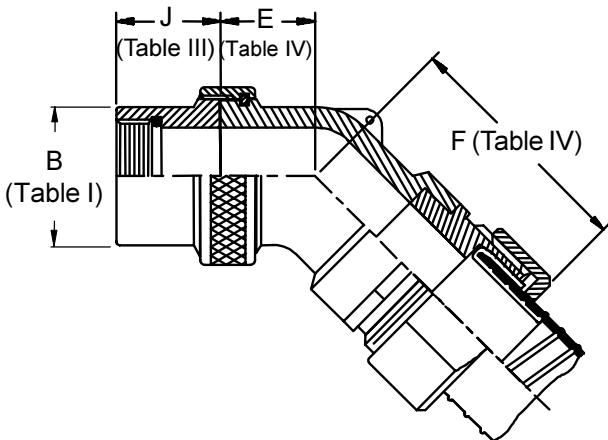
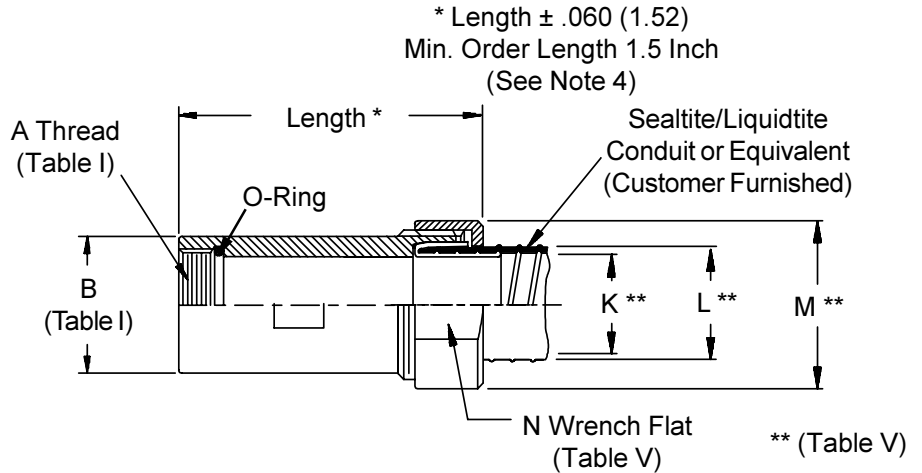
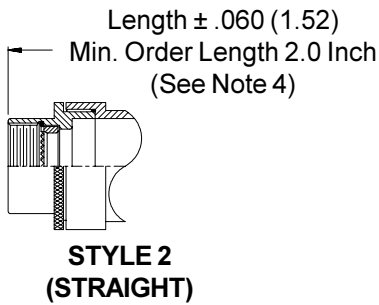
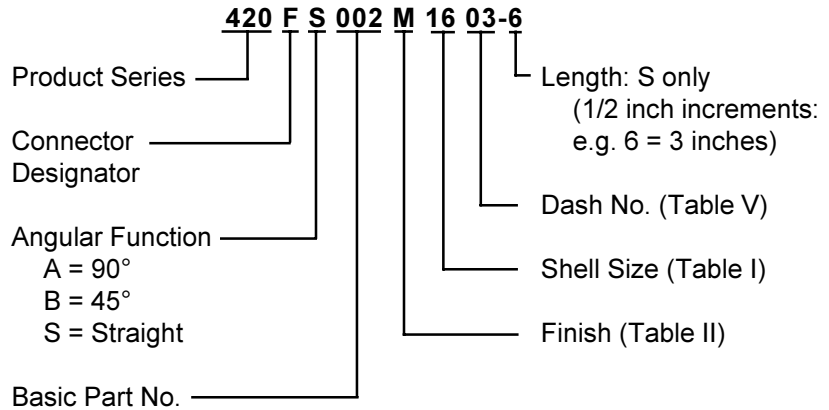
See inside back cover
fold-out or pages 13 and
14 for Tables I and II.

Shell Size Conn. Desig.		E	F	G	H
A-F-L-S	H	Max	Max	Max	Max
08	09	.457 (11.6)	1.810 (46.0)	.500 (12.7)	1.820 (46.2)
10	11	.520 (13.2)	1.870 (47.5)	.595 (15.1)	1.940 (49.3)
12	13	.582 (14.8)	1.930 (49.0)	.610 (15.5)	1.960 (49.8)
14	15	.645 (16.4)	2.020 (51.3)	.700 (17.8)	2.030 (51.6)
16	17	.738 (18.7)	2.130 (54.1)	.885 (22.5)	2.120 (53.8)
18	19	.926 (23.5)	2.320 (58.9)	.975 (24.8)	2.290 (58.2)
20	21	.926 (23.5)	2.320 (58.9)	.975 (24.8)	2.290 (58.2)
22	23	1.020 (25.9)	2.470 (62.7)	1.125 (28.6)	2.400 (61.0)
24	25	1.020 (25.9)	2.470 (62.7)	1.125 (28.6)	2.400 (61.0)
28		1.145 (29.1)	2.520 (64.0)	1.225 (31.1)	2.570 (65.3)
32		1.207 (30.7)	2.620 (66.5)	1.575 (40.0)	2.820 (71.6)
36		1.238 (31.4)	2.710 (68.8)	1.775 (45.1)	2.820 (71.6)

Dash No.	Conduit Size (Ref.)	K Dimension (Ref)		L Dimension (Ref)		M Max	N Max Wrench Flats
		Min	Max	Min	Max		
01	3/8	.484 (12.3)	.504 (12.8)	.690 (17.5)	.710 (18.0)	1.155 (29.3)	1.000 (25.4)
02	1/2	.622 (15.8)	.642 (16.3)	.820 (20.8)	.840 (21.3)	1.282 (32.6)	1.125 (28.6)
03	3/4	.820 (20.8)	.840 (21.3)	1.030 (26.2)	1.050 (26.7)	1.531 (38.9)	1.375 (34.9)
04	1	1.041 (26.4)	1.066 (27.1)	1.290 (32.8)	1.315 (33.4)	1.781 (45.2)	1.625 (41.3)
05	1 1/4	1.380 (35.1)	1.410 (35.8)	1.630 (41.4)	1.660 (42.2)	2.218 (56.3)	2.062 (52.4)
06	1 1/2	1.575 (40.0)	1.600 (40.6)	1.875 (47.6)	1.900 (48.3)	2.468 (62.7)	2.312 (58.7)
07	2	2.020 (51.3)	2.045 (51.9)	2.350 (59.7)	2.375 (60.3)	3.031 (77.0)	2.875 (73.0)

1. When maximum cable entry (page 21) is exceeded, Style 2 will be supplied. Dimensions E, F, G and H will not apply. Please consult factory.
2. Metric dimensions (mm) are indicated in parentheses.
3. Cable range is defined as the accommodations range for the wire bundle or cable. Dimensions shown are not intended for inspection criteria.
4. Consult factory for shorter lengths on straight backshells.
5. O-Ring not supplied with Connector Designator A.
6. Sealtite is a trademark of Anaconda Corp.

**CONNECTOR
DESIGNATORS**
A-B*-C-D-E-F
G-H-J-K-L-S
* Conn. Desig. B See Note 6
DIRECT COUPLING



Series 42 Sealtite™/Liquidtite Conduit Backshells



TABLE III

Shell Size	J Max - Conn. Designator		
	A-D-E-F	B-G-K	C
	H-J-L-S		
08/09	1.000 (25.4)	1.000 (25.4)	
10/11	1.000 (25.4)	1.000 (25.4)	
12/13	1.000 (25.4)	1.000 (25.4)	1.735 (44.1)
14/15	1.000 (25.4)	1.000 (25.4)	1.915 (48.6)
16/17	1.000 (25.4)	1.166 (29.6)	1.915 (48.6)
18/19	1.000 (25.4)	1.166 (29.6)	1.915 (48.6)
20/21	1.000 (25.4)	1.166 (29.6)	1.915 (48.6)
22/23	1.000 (25.4)	1.166 (29.6)	1.915 (48.6)
24/25	1.000 (25.4)	1.166 (29.6)	1.915 (48.6)
28	1.000 (25.4)	1.166 (29.6)	1.915 (48.6)
32	1.000 (25.4)	1.166 (29.6)	1.915 (48.6)
36	1.000 (25.4)	1.166 (29.6)	1.915 (48.6)
40	1.000 (25.4)	1.437 (36.5)	1.915 (48.6)

See inside back cover
fold-out or pages 13 and
14 for Tables I and II.

1. When maximum cable entry (page 22) is exceeded, Style 2 will be supplied. (Function S only).
2. Metric dimensions (mm) are indicated in parentheses.
3. Cable range is defined as the accommodations range for the wire bundle or cable. Dimensions shown are not intended for inspection criteria.
4. Consult factory for shorter lengths on straight backshells.
5. Sealtite is a trademark of Anaconda Corp.
6. When using Connector Designator B refer to pages 18 and 19 for part number development.

TABLE IV

Elbow Size	E Max	F Max	G Max	H Max
01	.630 (16.0)	1.870 (47.5)	.709 (18.0)	1.940 (49.3)
02	.692 (17.6)	1.930 (49.0)	.734 (18.6)	1.960 (49.8)
03	.848 (21.5)	2.130 (54.1)	.990 (25.1)	2.120 (53.8)
04	1.036 (26.3)	2.320 (58.9)	1.090 (27.7)	2.290 (58.2)
05	1.130 (28.7)	2.470 (62.7)	1.325 (33.7)	2.400 (61.0)
06	1.317 (33.5)	2.620 (66.5)	1.827 (46.4)	2.820 (71.6)
07	1.348 (34.2)	2.710 (68.8)	2.027 (51.5)	2.820 (71.6)

TABLE V

Dash No.	Conduit Size (Ref.)	K Dimension		L Dimension		M Max	N Max Wrench Flat
		Min	Max	Min	Max		
01	3/8	.484 (12.3)	.504 (12.8)	.690 (17.5)	.710 (18.0)	1.155 (29.3)	1.000 (25.4)
02	1/2	.622 (15.8)	.642 (16.3)	.820 (20.8)	.840 (21.3)	1.282 (32.6)	1.125 (28.6)
03	3/4	.820 (20.8)	.840 (21.3)	1.030 (26.2)	1.050 (26.7)	1.531 (38.9)	1.375 (34.9)
04	1	1.041 (26.4)	1.066 (27.1)	1.290 (32.8)	1.315 (33.4)	1.781 (45.2)	1.625 (41.3)
05	1 1/4	1.380 (35.1)	1.410 (35.8)	1.630 (41.4)	1.660 (42.2)	2.218 (56.3)	2.062 (52.4)
06	1 1/2	1.575 (40.0)	1.600 (40.6)	1.875 (47.6)	1.900 (48.3)	2.468 (62.7)	2.312 (58.7)
07	2	2.020 (51.3)	2.045 (51.9)	2.350 (59.7)	2.375 (60.3)	3.031 (77.0)	2.875 (73.0)