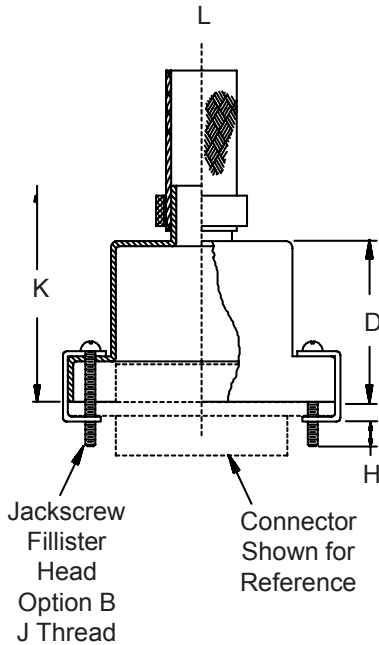
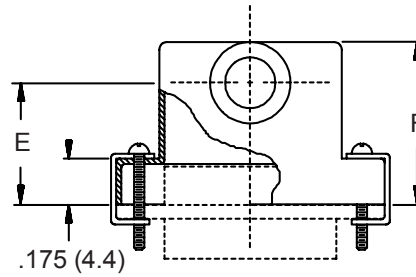


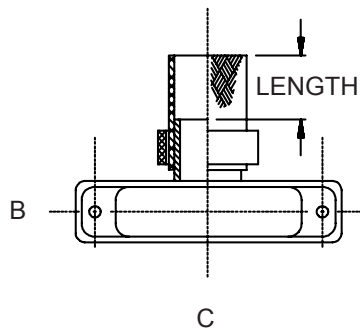
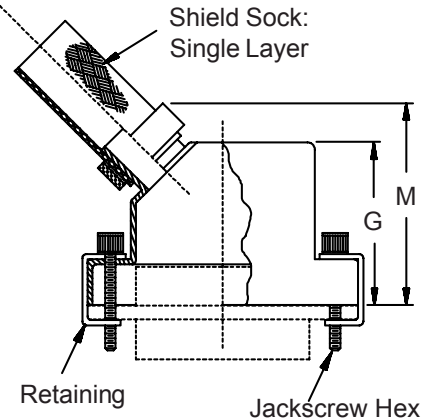
STYLE T - TOP ENTRY



STYLE S - SIDE ENTRY



STYLE E - 45° ENTRY



Metric dimensions (mm) are indicated in parentheses.

HOW TO ORDER

Series	Cable Entry Style	Basic Part Number	Shell* Plating	Shell Size (Table I)	Hardware Options *	Cable Entry (Table II)	Shield Sock Length
500	T – Top	011	C – Black Anodize	9	B – (2) Male Fillister Head Jackscrews	04	Length in 1 inch increments (e.g. 6 = 6 inches)
	S – Side		E – Chem. Film	15	H – (2) Male Hex Socket	05	
500	E – 45°	011	J – Gold Iridite Over Cadmium Over Electroless Nickel	21	F – (2) Female Jackpost	06	
			M – Electroless Nickel	31	FB – (1) Female Jackpost And (1) Male Jackpost	07	
			NF – Cadmium, Olive Drab Over Electroless Nickel	37	FH – (1) Female Jackpost and (1) Male Hex Socket	08	
			Z2 – Gold	51		09	
				100		10	
						11	
						12	
<b>Sample Part Number:</b>							
500	T	011	M	21	B	06	— 6

\* SEE PAGE C-4 FOR COMPLETE INFORMATION

**500-011**  
**EMI/RFI Micro-D Backshell**  
**with Shield Sock**



MIL-DTL-83513  
 Micro-D

**TABLE I: DIMENSIONS**

Shell Size	A	B	C	D	E	F
09	.775 (19.7)	.36 (9.1)	.565 (14.4)	.32 (8.1)	.435 (11.0)	.607 (15.4)
15	.925 (23.5)	.36 (9.1)	.715 (18.2)	.44 (11.2)	.440 (11.2)	.643 (16.3)
21	1.075 (27.3)	.36 (9.1)	.865 (22.0)	.56 (14.2)	.458 (11.6)	.677 (17.2)
25	1.175 (29.8)	.36 (9.1)	.965 (24.5)	.62 (15.7)	.483 (12.3)	.718 (18.2)
31	1.325 (33.7)	.36 (9.1)	1.115 (28.3)	.68 (17.3)	.476 (12.1)	.726 (18.4)
37	1.475 (37.5)	.36 (9.1)	1.265 (32.1)	.72 (18.3)	.478 (12.2)	.744 (18.9)
51	1.425 (36.2)	.40 (10.2)	1.215 (30.9)	.75 (19.1)	.548 (13.9)	.829 (21.1)
100	2.160 (54.9)	.45 (11.4)	1.800 (45.7)	.81 (20.6)	.687 (17.4)	.984 (25.0)

Shell Size	G	H REF	J Thread	K ±.03 (0.8)	M Max	Max Entry Table II
09	.650 (16.5)	.154 (3.9)	2-56 UNC-2	.75 (19.1)	1.00 (25.4)	08
15	.700 (17.8)	.154 (3.9)	2-56 UNC-2	.88 (22.4)	1.03 (26.2)	08
21	.735 (18.7)	.154 (3.9)	2-56 UNC-2	1.00 (25.4)	1.05 (26.7)	08
25	.800 (20.3)	.154 (3.9)	2-56 UNC-2	1.06 (26.9)	1.09 (27.7)	08
31	.860 (21.8)	.154 (3.9)	2-56 UNC-2	1.12 (28.4)	1.13 (28.7)	09
37	.925 (23.5)	.154 (3.9)	2-56 UNC-2	1.16 (29.5)	1.16 (29.5)	09
51	.975 (24.8)	.154 (3.9)	2-56 UNC-2	1.19 (30.2)	1.19 (30.2)	10
100	1.050 (26.7)	.184 (4.7)	4-40 UNC-2	1.25 (31.8)	1.25 (31.8)	12

**TABLE II: CABLE ENTRY**

Dash No.	L Entry
04	.125 (3.2)
05	.156 (4.0)
06	.188 (4.8)
07	.219 (5.6)
08	.250 (6.4)
09	.281 (7.1)
10	.312 (7.9)
11	.344 (8.7)
12	.375 (9.5)

Metric dimensions (mm) are indicated in parentheses.