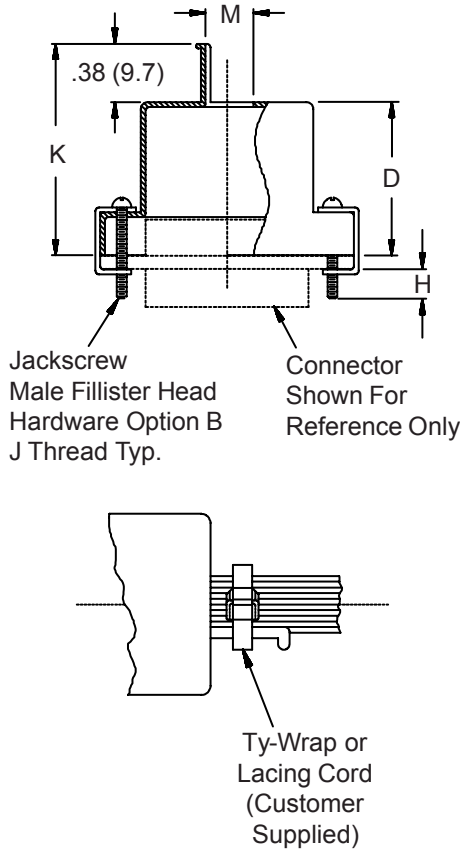
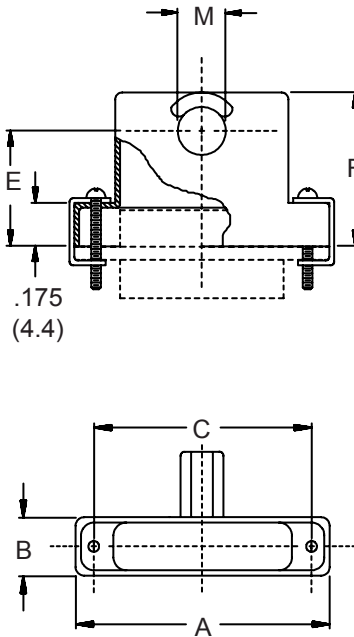


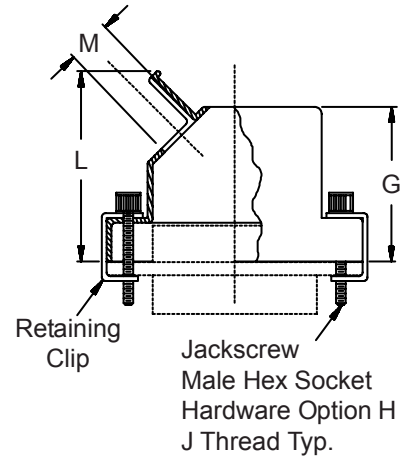
STYLE T - TOP ENTRY



STYLE S - SIDE ENTRY



STYLE E - 45° ENTRY



Metric dimensions (mm) are indicated in parentheses.

HOW TO ORDER

Series	Cable Entry Style	Basic Part Number	Shell Plating *	Shell Size (Table I)	Hardware Options *
500	T – Top S – Side E – 45°	012	C – Black Anodize	09	B – (2) male fillister head E – (2) extended jackscrew H – (2) male hex socket F – (2) female jackpost
			E – Chem. Film	15	
			J – Gold Iridite Over Cadmium Over Electroless Nickel	21	
			M – Electroless Nickel	31	
			NF – Cadmium, Olive Drab Over Electroless Nickel	37	
				51	
			Z2 – Gold	100	

Sample Part Number:

500 T 012 M 21 B

* SEE PAGE C-4 FOR COMPLETE INFORMATION

Machined aluminum strain relief backshells are intended for applications where shielding is not required.

TABLE I: DIMENSIONS

SHELL SIZE	A	B	C	D	E	F
09	.775 (19.7)	.36 (9.1)	.565 (14.4)	.32 (8.1)	.435 (11.0)	.607 (15.4)
15	.925 (23.5)	.36 (9.1)	.715 (18.2)	.44 (11.2)	.440 (11.2)	.643 (16.3)
21	1.075 (27.3)	.36 (9.1)	.865 (22.0)	.56 (14.2)	.458 (11.6)	.677 (17.2)
25	1.175 (29.8)	.36 (9.1)	.965 (24.5)	.62 (15.7)	.483 (12.3)	.718 (18.2)
31	1.325 (33.7)	.36 (9.1)	1.115 (28.3)	.68 (17.3)	.476 (12.1)	.726 (18.4)
37	1.475 (37.5)	.36 (9.1)	1.265 (32.1)	.72 (18.3)	.478 (12.2)	.744 (18.9)
51	1.425 (36.2)	.40 (10.2)	1.215 (30.9)	.75 (19.1)	.548 (13.9)	.829 (21.1)
100	2.160 (54.9)	.45 (11.4)	1.800 (45.7)	.81 (20.6)	.687 (17.4)	.984 (25.0)

SHELL SIZE	G	H REF	J THREAD	K ±.03 (0.8)	L MAX	M Dia ±.005 (0.1)
09	.650 (16.5)	.154 (3.9)	2-56 UNC-2	.70 (17.8)	.90 (22.9)	.156 (4.0)
15	.700 (17.8)	.154 (3.9)	2-56 UNC-2	.82 (20.8)	.96 (24.4)	.188 (4.8)
21	.735 (18.7)	.154 (3.9)	2-56 UNC-2	.94 (23.9)	.99 (25.1)	.219 (5.6)
25	.800 (20.3)	.154 (3.9)	2-56 UNC-2	1.00 (25.4)	1.05 (26.7)	.250 (6.4)
31	.860 (21.8)	.154 (3.9)	2-56 UNC-2	1.06 (26.9)	1.08 (27.4)	.265 (6.7)
37	.925 (23.5)	.154 (3.9)	2-56 UNC-2	1.10 (27.9)	1.12 (28.9)	.281 (7.1)
51	.975 (24.8)	.154 (3.9)	2-56 UNC-2	1.13 (28.7)	1.21 (30.7)	.312 (7.9)
100	1.050 (26.7)	.184 (4.7)	4-40 UNC-2	1.19 (30.2)	1.28 (32.5)	.375 (9.5)

Metric dimensions (mm) are indicated in parentheses.