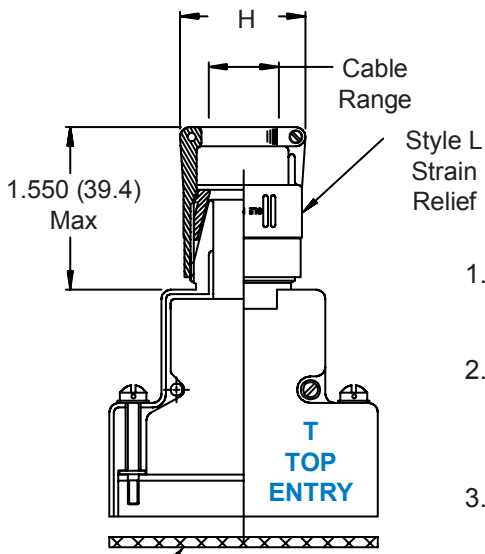
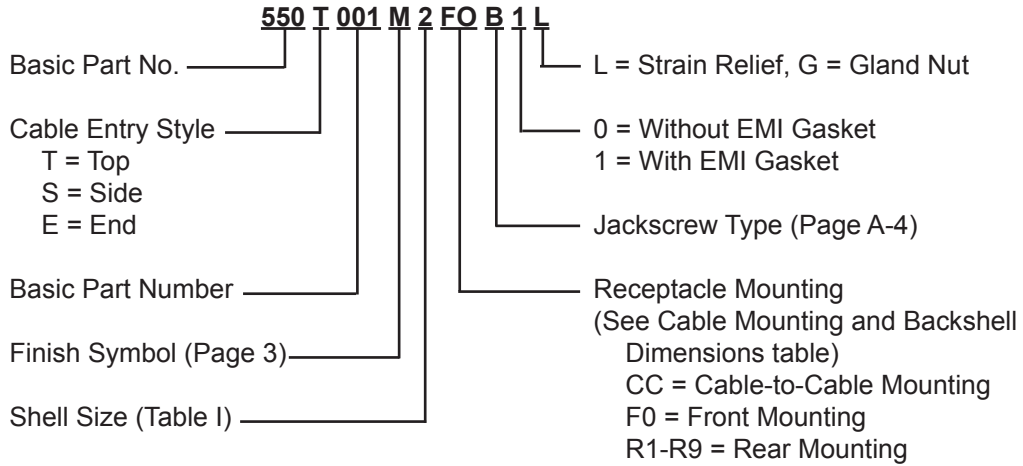




550-001 EMI/RFI D-Subminiature Split Backshell for Individual or Overall Shielding with Strain Relief



EMI Gasket (Optional)

1. Metric dimensions (mm) are indicated in parentheses.
2. **DO NOT USE CONNECTORS WITH FLOAT MOUNTINGS.**
3. Overall shield. Thickness range: 0 to .062 (1.6)

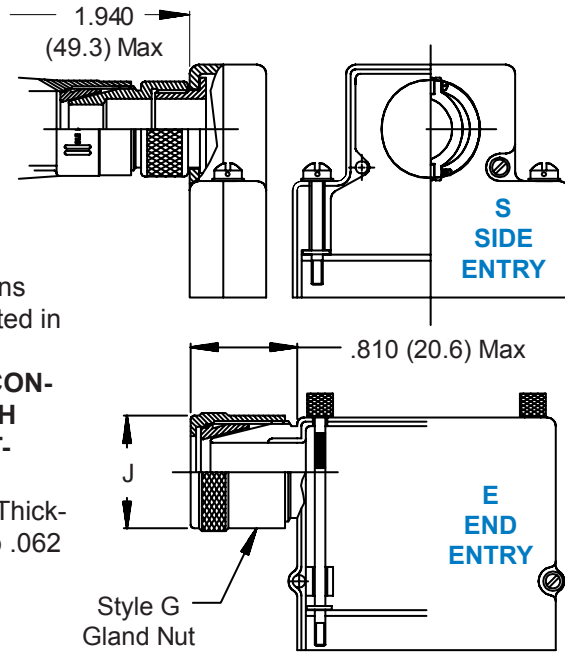


TABLE I: CABLE ENTRY & ENTRY STYLE

| Shell Size | Com'l Shell Size Ref | H Max | J Max | Entry Styles S & T Cable Range | | Entry Style E Cable Range | |
|------------|----------------------|--------------|--------------|--------------------------------|--------------|---------------------------|-------------|
| | | | | Min | Max | Min | Max |
| | | | | 1 | E/09 | 1.046 (26.6) | .843 (21.4) |
| 2 | A/15 | 1.046 (26.6) | .843 (21.4) | .250 (6.4) | .375 (9.5) | .250 (6.4) | .375 (9.5) |
| 3 | B/25 | 1.156 (29.4) | .968 (24.6) | .312 (7.9) | .475 (12.1) | .312 (7.9) | .475 (12.1) |
| 4 | C/37 | 1.156 (29.4) | .968 (24.6) | .312 (7.9) | .475 (12.1) | .312 (7.9) | .475 (12.1) |
| 5 | D/50 | 1.218 (30.9) | 1.109 (28.2) | .437 (11.1) | .575 (14.6) | .437 (11.1) | .575 (14.6) |
| 6* | F/104 | 1.594 (40.5) | 1.468 (37.3) | .812 (20.6) | 1.000 (25.4) | n/a | n/a |

* Shell Size 6 Available in Top Entry Only.

D-Subminiature Split Backshells Standard Dimensions



COMMON CONNECTOR/SHELL INTERFACE & BACKSHELL DIMENSIONS

| Shell Size | Com'l Shell Ref | A | | B | | C Ref. | | D | | P | R Ref | | |
|------------|-----------------|-------|--------|------|--------|--------|--------|------------|--------|-------|--------|-------|--------|
| | | Max | (mm) | Max | (mm) | | (mm) | $\pm .005$ | (mm) | | | | |
| 1 | E/09 | 1.393 | (35.4) | .624 | (15.8) | .312 | (7.9) | .984 | (25.0) | .730 | (18.5) | .719 | (18.3) |
| 2 | A/15 | 1.706 | (43.3) | .624 | (15.8) | .312 | (7.9) | 1.312 | (33.3) | 1.050 | (26.7) | .719 | (18.3) |
| 3 | B/25 | 2.265 | (57.5) | .624 | (15.8) | .312 | (7.9) | 1.852 | (47.0) | 1.594 | (40.5) | .938 | (23.8) |
| 4 | C/37 | 2.900 | (73.7) | .624 | (15.8) | .312 | (7.9) | 2.500 | (63.5) | 2.240 | (56.9) | .938 | (23.8) |
| 5 | D/50 | 2.800 | (71.1) | .750 | (19.1) | .375 | (9.5) | 2.406 | (61.1) | 2.140 | (54.4) | .938 | (23.8) |
| 6 | F/104 | 2.900 | (73.7) | .844 | (21.4) | .422 | (10.7) | 2.500 | (63.5) | 2.240 | (56.9) | 1.094 | (27.8) |

CABLE MOUNTING AND BACKSHELL DIMENSIONS

| Dash No. | Panel Thickness | E | F $\pm .031$ (0.79) | | | G $\pm .031$ (0.79) | |
|----------|-----------------|------------|---------------------|--------------|--------------|---------------------|--------------|
| | | | Sizes 1 & 2 | Sizes 3 - 5 | Size 6 | Sizes 1 & 2 | Sizes 3 - 5 |
| CC | n/a | .174 (4.4) | 1.451 (36.9) | 1.671 (42.4) | 1.820 (46.2) | 1.583 (40.2) | 1.831 (46.5) |
| F0 | n/a | .343 (8.7) | 1.625 (41.3) | 1.844 (46.8) | 2.000 (50.8) | 1.750 (44.5) | 2.000 (50.8) |
| R1 | .031 (.8) | .247 (6.3) | 1.525 (38.7) | 1.745 (44.3) | 1.890 (48.0) | 1.656 (42.1) | 1.904 (48.4) |
| R2 | .047 (1.2) | .231 (5.9) | 1.509 (38.3) | 1.728 (43.9) | 1.875 (47.6) | 1.640 (41.7) | 1.888 (48.0) |
| R3 | .062 (1.6) | .216 (5.5) | 1.500 (38.1) | 1.720 (43.7) | 1.860 (47.2) | 1.625 (41.3) | 1.873 (47.6) |
| R4 | .093 (2.4) | .185 (4.7) | 1.470 (37.3) | 1.690 (42.9) | 1.829 (46.5) | 1.594 (40.5) | 1.842 (46.8) |
| R5 | .104 (2.6) | .174 (4.4) | 1.451 (36.9) | 1.671 (42.4) | 1.820 (46.2) | 1.583 (40.2) | 1.831 (46.5) |
| R6 | .125 (3.2) | .153 (3.9) | 1.430 (36.3) | 1.650 (41.9) | 1.798 (45.7) | 1.563 (39.7) | 1.811 (46.0) |
| R7 | .156 (4.0) | .125 (3.2) | 1.400 (35.6) | 1.620 (41.1) | 1.767 (44.9) | 1.531 (38.9) | 1.781 (45.2) |
| R8 | .135 (3.4) | .140 (3.6) | 1.417 (36.0) | 1.637 (41.6) | 1.805 (45.8) | 1.550 (39.4) | 1.798 (45.7) |
| R9 | .188 (4.8) | .094 (2.4) | 1.368 (34.7) | 1.590 (40.4) | 1.740 (44.2) | 1.500 (38.1) | 1.750 (44.5) |

Metric dimensions (mm) are indicated in parentheses.