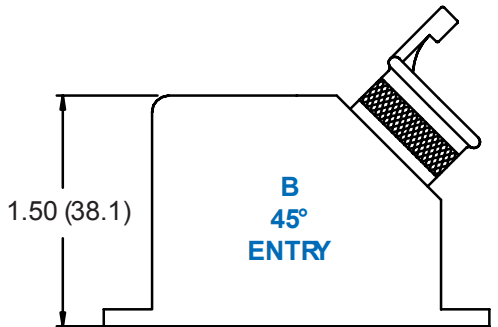
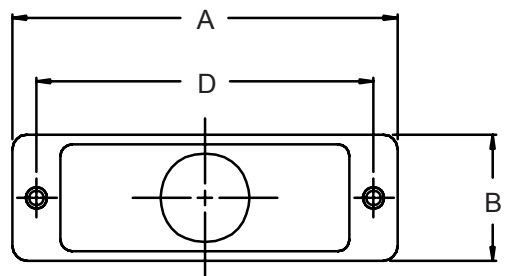
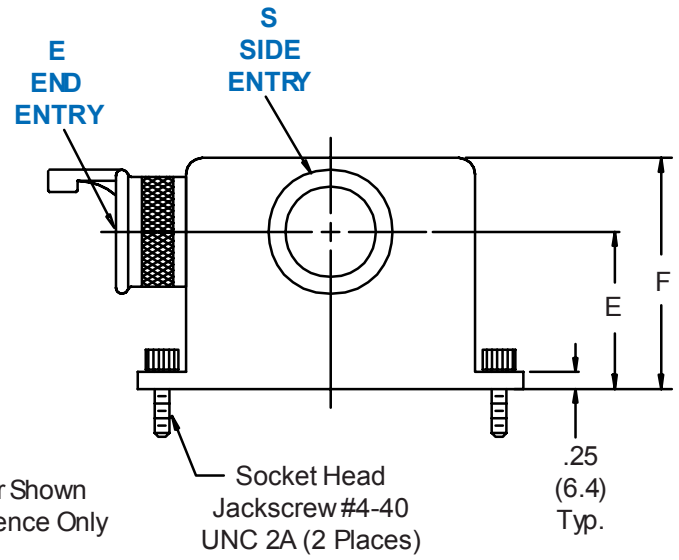
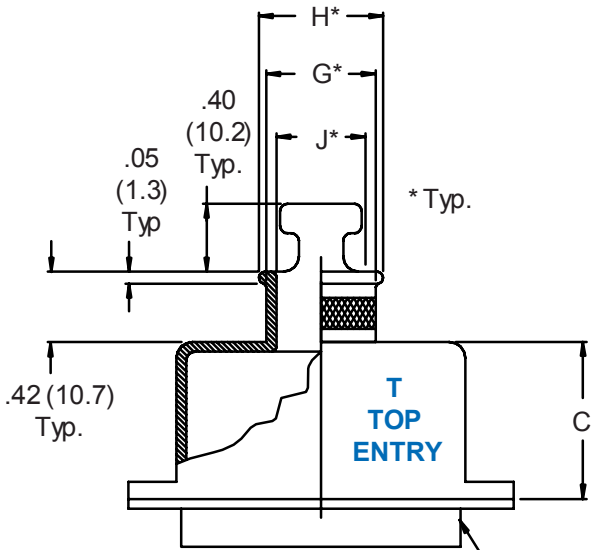


557-113
D-Subminiature Solid
Banding Backshell With Qwik-Ty®

557 T 113 M 2 31 B

Basic Part No. | B = Band Supplied (600-052), Omit for None
 Cable Entry Style | Cable Entry (Table II)
 T = Top | Shell Size (Table I)
 S = Side | Finish Symbol (Page 3)
 B = 45° | Basic Part Number



Connector Shown For Reference Only

557-113
D-Subminiature Solid
Banding Backshell With Qwik-Ty®



MIL-DTL-24308
D-Subminiature

TABLE I: SHELL SIZE, BACKSHELL & CONNECTOR INTERFACE DIMENSIONS

Shell Size	A Max	B	C	D		E	F
				±.005	(.1)		
1	1.25 (31.8)	.53 (13.5)	.75 (19.1)	.984 (25.0)		1.25 (31.8)	1.88 (47.8)
2	1.58 (40.1)	.53 (13.5)	.75 (19.1)	1.312 (33.3)		1.25 (31.8)	1.88 (47.8)
3	2.13 (54.1)	.53 (13.5)	1.00 (25.4)	1.852 (47.0)		1.25 (31.8)	1.88 (47.8)
4	2.77 (70.4)	.53 (13.5)	1.00 (25.4)	2.500 (63.5)		1.25 (31.8)	1.88 (47.8)
5	2.68 (68.1)	.66 (16.8)	1.25 (31.8)	2.406 (61.1)		1.38 (35.1)	2.13 (54.1)

TABLE II: CABLE ENTRY

Dash No.	G Dia	H Dia	J Dia
16	.268 (6.8)	.299 (7.6)	.188 (4.8)
23	.330 (8.4)	.361 (9.2)	.250 (6.4)
30	.392 (10.0)	.423 (10.7)	.312 (7.9)
31	.455 (11.6)	.486 (12.3)	.375 (9.5)
32	.517 (13.1)	.548 (13.9)	.438 (11.1)
33*	.642 (16.3)	.673 (17.1)	.562 (14.3)

* Available in Shell Size 5 only.

Metric dimensions (mm) are indicated in parentheses.