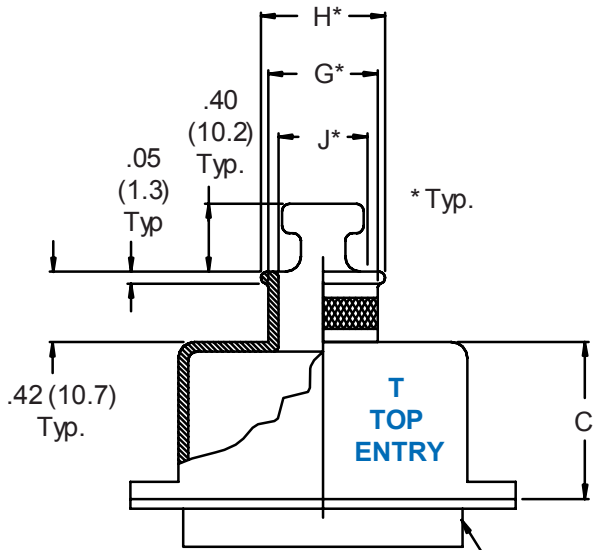
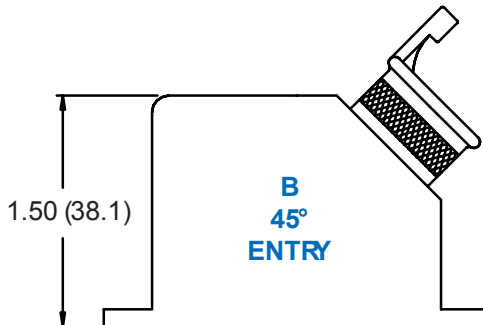
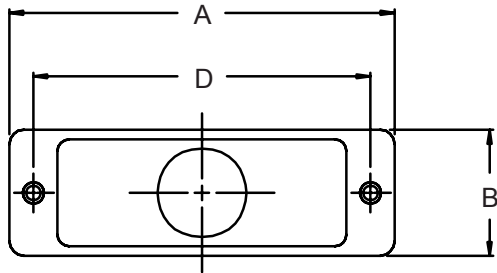
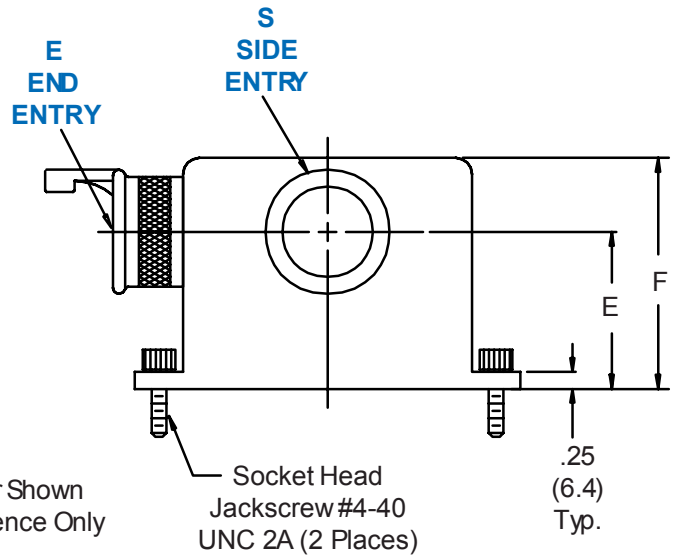


557 T 113 M 2 31 B

- Basic Part No.
- Cable Entry Style
 - T = Top
 - S = Side
 - B = 45°
- Shell Size (Table I)
- Finish Symbol (Page 3)
- Basic Part Number
- B = Band Supplied (600-052), Omit for None
- Cable Entry (Table II)



Connector Shown For Reference Only



557-113
**D-Subminiature Solid
 Banding Backshell With Qwik-Ty®**



MIL-DTL-24308
 D-Subminiature

TABLE I: SHELL SIZE, BACKSHELL & CONNECTOR INTERFACE DIMENSIONS

Shell Size	A Max	B	C	D		E	F
				±.005	(.1)		
1	1.25 (31.8)	.53 (13.5)	.75 (19.1)	.984 (25.0)		1.25 (31.8)	1.88 (47.8)
2	1.58 (40.1)	.53 (13.5)	.75 (19.1)	1.312 (33.3)		1.25 (31.8)	1.88 (47.8)
3	2.13 (54.1)	.53 (13.5)	1.00 (25.4)	1.852 (47.0)		1.25 (31.8)	1.88 (47.8)
4	2.77 (70.4)	.53 (13.5)	1.00 (25.4)	2.500 (63.5)		1.25 (31.8)	1.88 (47.8)
5	2.68 (68.1)	.66 (16.8)	1.25 (31.8)	2.406 (61.1)		1.38 (35.1)	2.13 (54.1)

TABLE II: CABLE ENTRY

Dash No.	G Dia	H Dia	J Dia
16	.268 (6.8)	.299 (7.6)	.188 (4.8)
23	.330 (8.4)	.361 (9.2)	.250 (6.4)
30	.392 (10.0)	.423 (10.7)	.312 (7.9)
31	.455 (11.6)	.486 (12.3)	.375 (9.5)
32	.517 (13.1)	.548 (13.9)	.438 (11.1)
33*	.642 (16.3)	.673 (17.1)	.562 (14.3)

* Available in Shell Size 5 only.

Metric dimensions (mm) are indicated in parentheses.