



712-416 • PEEK Only
Composite Straight Backshell Adapter
for MIL-DTL-38999 Series III and IV Fiber Optic Connectors

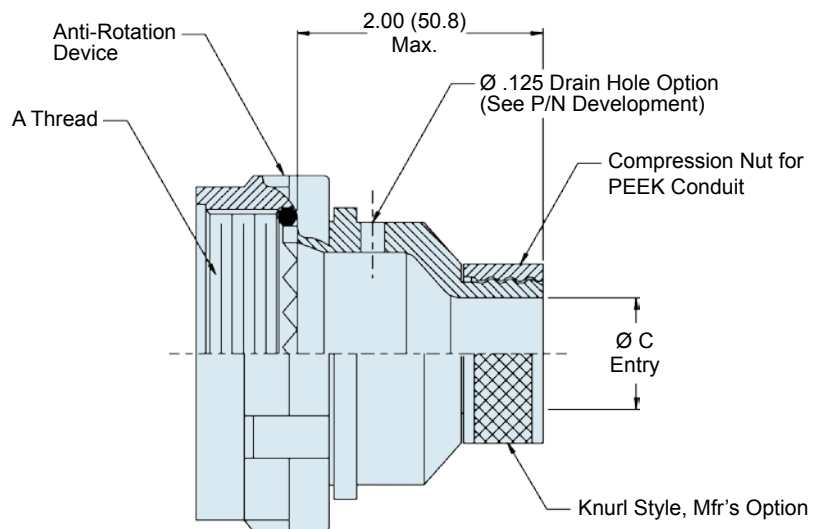
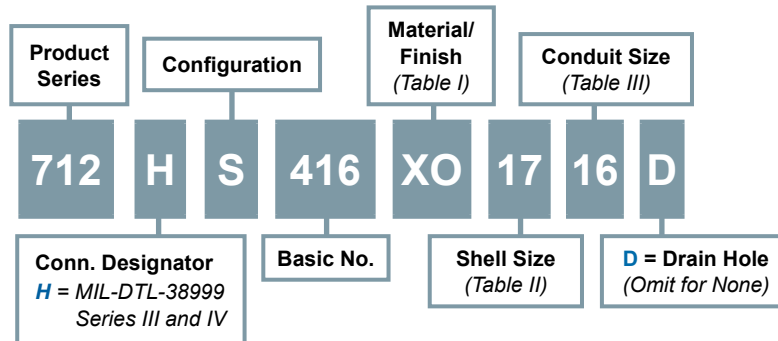


B

MIL-DTL-38999 Series III & IV backshell adapter



How To Order



Material and Finish

Adapter and Compression Nut: High-Grade Engineering Thermoplastic
Coupling Nut: High Grade Engineering Thermoplastic/Unplated
O-Ring: Fluorosilicone or Silicone
Anti-Rotation Device: Corrosion Resistant Material

Notes

Glenair 600 Series Backshell Assembly Tools are recommended for assembly and installation. Unless otherwise specified, the Backshell Body to be supplied finished per Table I - all other components to be supplied without plating.

712-416 • PEEK Only
Composite Straight Backshell Adapter
 for MIL-DTL-38999 Series III and IV Fiber Optic Connectors



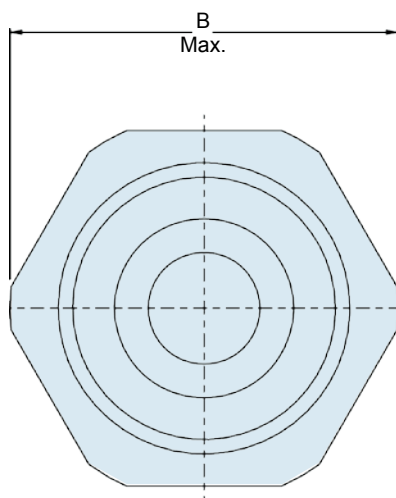
MIL-DTL-38999
 Series III Type

B

| Table III: Material and Finish | | |
|--------------------------------|-----------|--|
| Code | Material | Finish Description |
| XM | Composite | Electroless Nickel |
| XW | | Cadmium Plate/Olive Drab over Electroless Nickel |
| XO | | No Plating—Amber Color |

Refer to Appendix for material/finish details

| Table II | | |
|------------|--------------|-------------|
| Shell Size | A Thread | B Max |
| 11 | M15 x 1 - 6H | .980 (24.0) |
| 13 | M18 x 1 - 6H | 1.16 (28.4) |
| 15 | M22 x 1 - 6H | 1.28 (32.5) |
| 17 | M25 x 1 - 6H | 1.41 (35.8) |
| 19 | M28 x 1 - 6H | 1.52 (38.6) |
| 21 | M31 x 1 - 6H | 1.64 (41.7) |
| 23 | M34 x 1 - 6H | 1.77 (43.4) |
| 25 | M37 x 1 - 6H | 1.89 (48.0) |



| Table III: "Peek" Conduit Size | | |
|--------------------------------|-----------------|----------------|
| Dash No. | Fractional Size | Ø C Dim. Entry |
| 06 | 3/16 | .100 (2.5) |
| 09 | 9/32 | .171 (4.2) |
| 10 | 5/16 | .200 (5.8) |
| 12 | 3/8 | .265 (6.7) |
| 16 | 1/2 | .390 (9.6) |
| 20 | 5/8 | .515 (12.6) |
| 24 | 3/4 | .640 (15.7) |
| 28 | 7/8 | .765 (18.7) |
| 32 | 1 | .890 (21.8) |