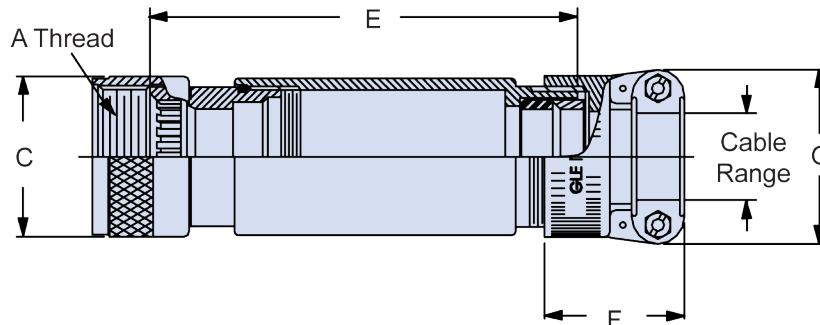


MIL-DTL-28840/6 Style B Straight Environmental Backshell

CONNECTOR DESIGNATOR:
G MIL-DTL-28840

**Basic
Part Number**
M28840/6
Material and Finish
*D = Corrosion Resistant Steel,
Cadmium Plate, Black*
W = Aluminum, Cadmium Olive Drab
16
**Dash Number
(Table II)**
W
**Style Designator
B = Environmental**
B

APPLICATION NOTES

- For complete dimensions see the applicable Military Specification.
- Metric dimensions (mm) are in parentheses.
- Cable Range is defined as the accommodation range for the wire bundle or cable. Dimensions shown are not intended for inspection criteria.

TABLE I: Shell Size

Shell Size	A Thread Class 2B	C Dia Max
11	.750 - 20 UNEF	1.030 (26.2)
13	.875 - 20 UNEF	1.140 (29.0)
15	1.000 - 20 UNEF	1.260 (32.0)
17	1.125 - 18 UNEF	1.390 (35.3)
19	1.250 - 18 UNEF	1.510 (38.4)
23	1.438 - 18 UNEF	1.700 (43.2)
25	1.563 - 18 UNEF	1.820 (46.2)
29	1.875 - 16 UN	2.140 (54.4)
33	2.063 - 16 UNS	2.330 (59.2)

TABLE II: Dash Number and Dimensions

Dash No.	Shell Size Ref.	E ± .12 (3.0)	F Ref. Dim	G Ref. Dim	Cable Range	
					Min	Max
01	11	3.620 (91.9)	1.281 (32.5)	.938 (23.8)	.188 (4.8)	.312 (7.9)
02	13	3.620 (91.9)	1.281 (32.5)	.938 (23.8)	.188 (4.8)	.312 (7.9)
03	13	3.620 (91.9)	1.281 (32.5)	1.125 (28.6)	.281 (7.1)	.438 (11.1)
04	15	3.620 (91.9)	1.281 (32.5)	.938 (23.8)	.188 (4.8)	.312 (7.9)
05	15	3.620 (91.9)	1.281 (32.5)	1.125 (28.6)	.281 (7.1)	.438 (11.1)
06	15	3.620 (91.9)	1.281 (32.5)	1.312 (33.3)	.344 (8.7)	.562 (14.3)
07	15	4.120 (104.6)	1.312 (33.3)	1.593 (40.5)	.438 (11.1)	.750 (19.1)
08	17	4.120 (104.6)	1.281 (32.5)	1.312 (33.3)	.375 (9.5)	.625 (15.9)
09	17	4.120 (104.6)	1.312 (33.3)	1.593 (40.5)	.438 (11.1)	.750 (19.1)
10	17	4.120 (104.6)	1.406 (35.7)	1.750 (44.5)	.625 (15.9)	.938 (23.8)
11	19	4.120 (104.6)	1.281 (32.5)	1.312 (33.3)	.375 (9.5)	.625 (15.9)
12	19	4.120 (104.6)	1.406 (35.7)	1.750 (44.5)	.625 (15.9)	.938 (23.8)
13	23	4.620 (117.3)	1.312 (33.3)	1.593 (40.5)	.438 (11.1)	.750 (19.1)
14	23	4.620 (117.3)	1.406 (35.7)	1.750 (44.5)	.625 (15.9)	.938 (23.8)
15	23	4.620 (117.3)	1.593 (40.5)	2.003 (50.9)	.812 (20.6)	1.188 (30.2)
16	25	4.620 (117.3)	1.406 (35.7)	1.750 (44.5)	.625 (15.9)	.938 (23.8)
17	25	5.120 (130.0)	1.593 (40.5)	2.093 (53.2)	.812 (20.6)	1.188 (30.2)
18	25	5.120 (130.0)	1.593 (40.5)	2.093 (53.2)	.875 (22.2)	1.250 (31.8)
19	25	5.120 (130.0)	1.625 (41.3)	2.343 (59.5)	1.000 (25.4)	1.380 (35.1)
20	29	5.120 (130.0)	1.593 (40.5)	2.093 (53.2)	.812 (20.6)	1.188 (30.2)
21	29	5.120 (130.0)	1.625 (41.3)	2.343 (59.5)	1.000 (25.4)	1.380 (35.1)
22	33	5.120 (130.0)	1.625 (41.3)	2.343 (59.5)	1.000 (25.4)	1.380 (35.1)
23	33	5.120 (130.0)	1.900 (48.3)	2.750 (69.9)	1.250 (31.8)	1.625 (41.3)
24	11	3.620 (91.9)	1.281 (32.5)	1.125 (28.6)	.281 (7.1)	.438 (11.1)
25	11	3.620 (91.9)	1.281 (32.5)	1.312 (33.3)	.344 (8.7)	.562 (14.3)
26	13	3.620 (91.9)	1.281 (32.5)	1.312 (33.3)	.344 (8.7)	.562 (14.3)
27	13	4.120 (104.6)	1.281 (32.5)	1.312 (33.3)	.375 (9.5)	.625 (15.9)
28	15	4.120 (104.6)	1.281 (32.5)	1.312 (33.3)	.375 (9.5)	.625 (15.9)

Dimensions in inches (millimeters) and are subject to change without notice.