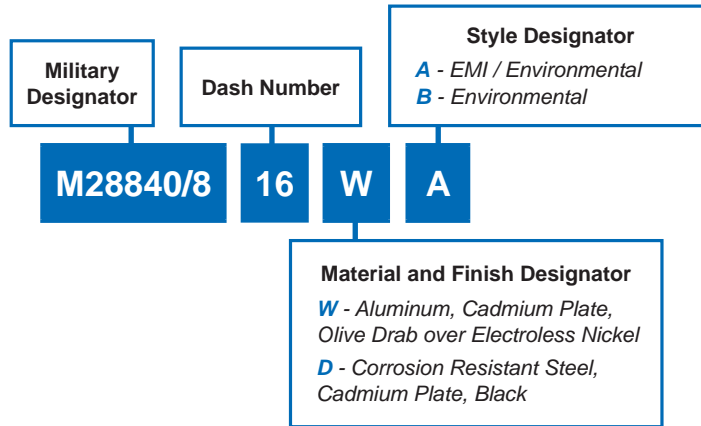


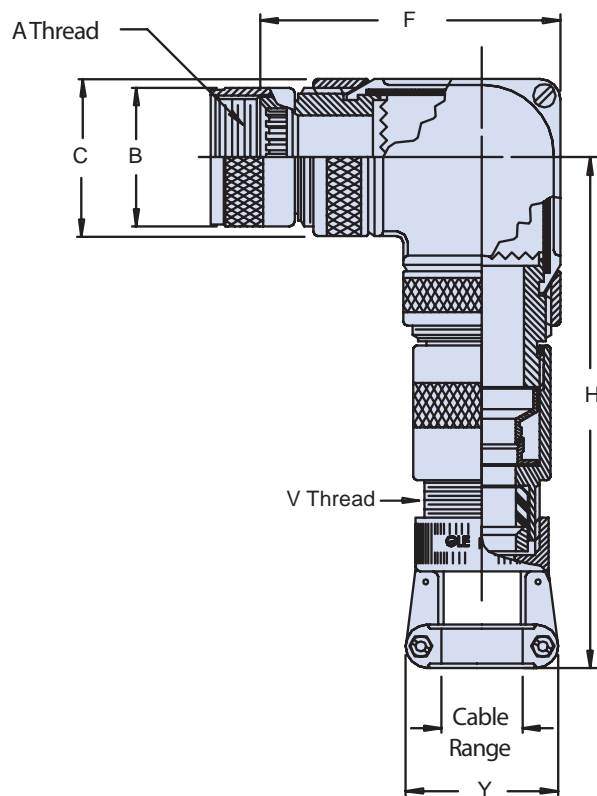
M28840/8 90° EMI/RFI Environmental Backshell



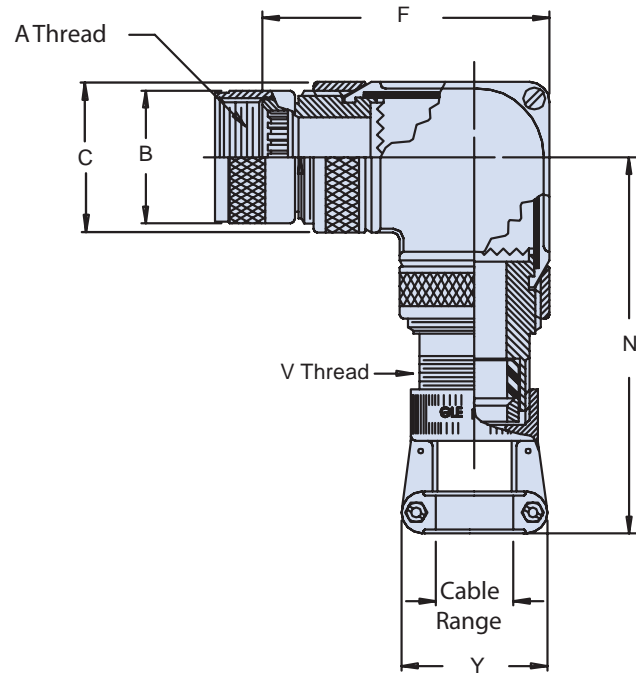
MIL-DTL
28840



B



BACKSHELL STYLE A



BACKSHELL STYLE B

Backshell Size	Dash Number	Designator	A Thread Class 2B	B Max. Diameter	C Max. Diameter	D Max. Diameter
A	01	A (11)	.750-20 UNEF	1.028 (26.11)	1.188 (30.17)	1.031 (26.19)
A	02	B (13)	.875-20 UNEF	1.141 (28.98)		
B	03	B (13)				
A	04	C (15)	1.00-20 UNEF	1.263 (32.08)	1.438 (36.52)	1.156 (29.36)
B	05	C (15)				
C	06	C (15)				
D	07	C (15)				
A	08	D (17)	1.125-18 UNEF	1.387 (35.23)	1.688 (42.87)	1.281 (32.54)
B	09	D (17)				
C	10	D (17)				
A	11	E (19)	1.250-18 UNEF	1.513 (38.43)		
B	12	E (19)				
A	13	F (23)	1.438-18 UNEF	1.703 (43.51)	1.938 (49.22)	1.406 (35.71)
B	14	F (23)				
C	15	F (23)				
A	16	G (25)	1.562-18 UNEF	1.825 (46.35)		
B	17	G (25)				
C	18	G (25)				
D	19	G (25)				
A	20	H (29)	1.875-16 UN	2.143 (54.43)	2.188 (54.43)	1.531 (38.89)
B	21	H (29)				

B

M28840/8 90° EMI/RFI Environmental Backshell



MIL-DTL
28840

B

Backshell Size	Dash Number	Designator	Cable Range		E Max. Dim.	F Max. Dim.	V Thread Class 2
			Max.	Min.			
A	01	A (11)	.312 (7.92)	.188 (4.77)	1.156 (29.36)	2.614 (66.40)	.625-24 UNEF
A	02	B (13)	.312 (7.92)	.188 (4.77)			.625-24 UNEF
B	03	B (13)	.438 (11.12)	.281 (7.14)			.750-20 UNEF
A	04	C (15)	.312 (7.92)	.188 (4.77)	1.281 (32.54)	2.864 (72.75)	.625-24 UNEF
B	05	C (15)	.438 (11.12)	.281 (7.14)			.750-20 UNEF
C	06	C (15)	.562 (14.27)	.344 (8.74)			.875-20 UNEF
D	07	C (15)	.750 (19.05)	.438 (11.12)	1.406 (35.71)	3.114 (79.10)	1.188-18 UNEF
A	08	D (17)	.625 (15.87)	.375 (9.82)			1.000-20 UNEF
B	09	D (17)	.750 (19.05)	.438 (11.12)			1.188-18 UNEF
C	10	D (17)	.938 (23.82)	.625 (15.87)	1.531 (38.89)	3.364 (85.45)	1.438-18 UNEF
A	11	E (19)	.625 (15.87)	.375 (9.52)	1.406 (35.71)		1.00-20 UNEF
B	12	E (19)	.938 (23.82)	.625 (15.87)	1.531 (38.89)		1.438-18 UNEF
A	13	F (23)	.750 (19.05)	.438 (11.12)	1.406 (25.71)	3.614 (91.80)	1.188-18 UNEF
B	14	F (23)	.938 (23.82)	.625 (15.87)	1.531 (38.89)		1.438-18 UNEF
C	15	F (23)	1.188 (30.17)	.812 (20.62)	1.781 (45.24)		1.750-18 UNEF
A	16	G (25)	.938 (23.82)	.625 (15.87)	1.531 (38.89)	1.781 (45.24)	1.438-18 UNEF
B	17	G (25)	1.188 (30.17)	.812 (20.62)	1.750-18 UNS		
C	18	G (25)	1.250 (31.75)	.875 (22.23)	2.000-16 UNS		
D	19	G (25)	1.380 (35.05)	1.000 (25.40)	2.156 (54.76)	1.781 (45.24)	1.750-18 UNS
A	20	H (29)	1.188 (30.17)	.812 (20.62)	1.781 (45.24)		2.000-18 UNS
B	21	H (29)	1.380 (35.05)	1.000 (25.40)	2.156 (54.76)		

Backshell Size	Dash Number	Designator	X Ref. Dimension	Y Ref. Dimension	H Max. Style A	N Max. Style B
A	01	A (11)	1.281 (32.54)	.938 (23.82)	5.332 (134.43)	2.962 (75.23)
A	02	B (13)		.938 (23.82)	5.332 (134.43)	2.962 (75.23)
B	03	B (13)		1.125 (28.57)	5.332 (134.43)	2.962 (75.23)
A	04	C (15)		.938 (23.82)	5.457 (138.61)	3.087 (78.41)
B	05	C (15)		1.125 (28.57)	5.457 (138.61)	3.087 (78.41)
C	06	C (15)		1.312 (33.32)	5.457 (138.61)	3.087 (78.41)
D	07	C (15)		1.593 (40.62)	5.682 (144.32)	3.312 (84.12)
A	08	D (17)		1.312 (33.32)	5.682 (144.32)	3.312 (84.12)
B	09	D (17)	1.312 (33.32)	1.593 (40.62)	5.713 (145.11)	3.343 (84.91)
C	10	D (17)	1.406 (35.71)	1.750 (44.45)	5.807 (147.50)	3.437 (87.30)
A	11	E (19)	1.281 (32.54)	1.312 (33.32)	5.682 (144.32)	3.312 (84.12)
B	12	E (19)	1.406 (35.71)	1.750 (44.45)	5.832 (148.13)	3.462 (87.93)
A	13	F (23)	1.312 (33.32)	1.593 (40.62)	5.738 (145.28)	3.368 (85.55)
B	14	F (23)	1.406 (35.71)	1.750 (44.45)	5.832 (148.13)	3.462 (87.93)
C	15	F (23)	1.593 (40.46)	2.093 (53.16)	6.019 (152.88)	3.649 (92.68)
A	16	G (25)	1.406 (35.71)	1.750 (44.45)	5.832 (148.13)	3.462 (87.93)
B	17	G (25)	1.593 (40.46)	2.093 (53.16)	6.019 (152.88)	3.649 (92.68)
C	18	G (25)	1.593 (40.46)	2.093 (53.16)	6.144 (156.06)	3.774 (95.86)
D	19	G (25)	1.625 (41.28)	2.343 (59.51)	6.176 (156.87)	3.806 (96.62)
A	20	H (29)	1.593 (40.46)	2.093 (53.16)	6.144 (156.06)	3.774 (95.86)
B	21	H (29)	1.625 (41.28)	2.343 (59.51)	6.176 (156.87)	3.806 (96.62)

B

M28840/8 90° EMI/RFI Environmental Backshell



MIL-DTL
28840

B

Backshell Size	Dash Number	Designator	A Thread Class 2B	B Max. Diameter	C Max. Diameter	D Max. Diameter
A	22	J (33)	2.062-16 UNS	2.329 (59.16)	2.688 (68.26)	1.781 (45.24)
A	23	J (33)				
B	24	A (11)	.750-20 UNEF	1.028 (26.11)	1.188 (30.17)	1.031 (26.19)
C	25	A (11)			1.438 (36.52)	1.156 (29.36)
C	26	B (13)	.875-20 UNEF	1.141 (28.98)	1.688 (42.87)	1.281 (32.54)
D	27	B (13)				
E	28	C (15)	1.000-20 UNEF	1.263 (32.08)		

Backshell Size	Dash Number	Designator	Cable Range		E Max. Dimensions	F Max. Dimensions	V Thread Class 2
			Max.	Min.			
A	22	J (33)	1.380 (35.05)	1.000 (25.40)	2.281 (57.94)	4.114 (104.50)	2.000-18 UNS
A	23	J (33)	1.625 (41.26)	1.250 (31.75)			2.250-16 UNS
B	24	A (11)	.438 (11.12)	.281 (7.14)	1.156 (29.36)	2.614 (66.40)	.750-20 UNEF
C	25	A (11)	.562 (14.27)	.344 (8.74)	1.281 (32.54)	2.864 (72.75)	.875-20 UNEF
C	26	B (13)	.562 (14.27)	.344 (8.74)			
D	27	B (13)	.625 (15.87)	.375 (9.52)	1.406 (35.71)	3.114 (79.10)	1.000-20 UNEF
E	28	C (15)	.625 (15.87)	.375 (9.50)			

Backshell Size	Dash Number	Designator	X Ref. Dimensions	Y Ref. Dimensions	H Max. Style A	N Max. Style B
A	22	J (33)	1.625 (41.28)	2.343 (59.51)	6.426 (163.22)	4.056 (103.02)
A	23	J (33)	1.900 (48.26)	2.750 (59.85)	6.701 (170.21)	4.33 (110.01)
B	24	A (11)	1.281 (32.54)	1.125 (28.57)	5.332 (135.43)	2.962 (75.23)
C	25	A (11)		1.312 (33.32)	5.457 (138.61)	3.087 (78.41)
C	26	B (13)			5.457 (138.61)	3.087 (78.41)
C	27	B (13)			5.682 (144.32)	3.312 (84.12)
B	28	C (15)			5.682 (144.32)	3.312 (84.12)