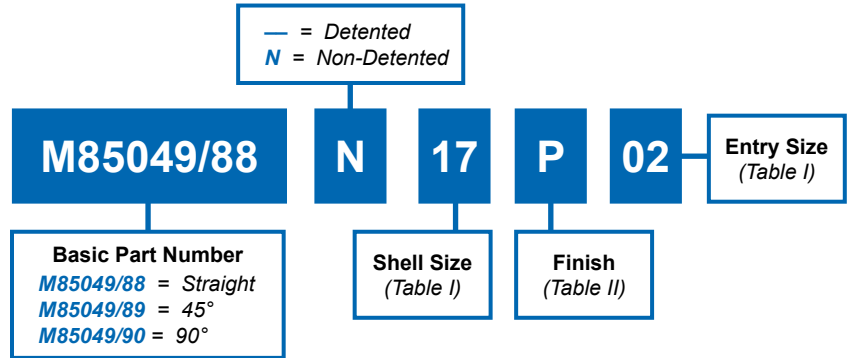


AS85049/88, AS85049/89 and AS85049/90 Straight, 45° and 90° Banding Backshells with Self-Locking Coupling

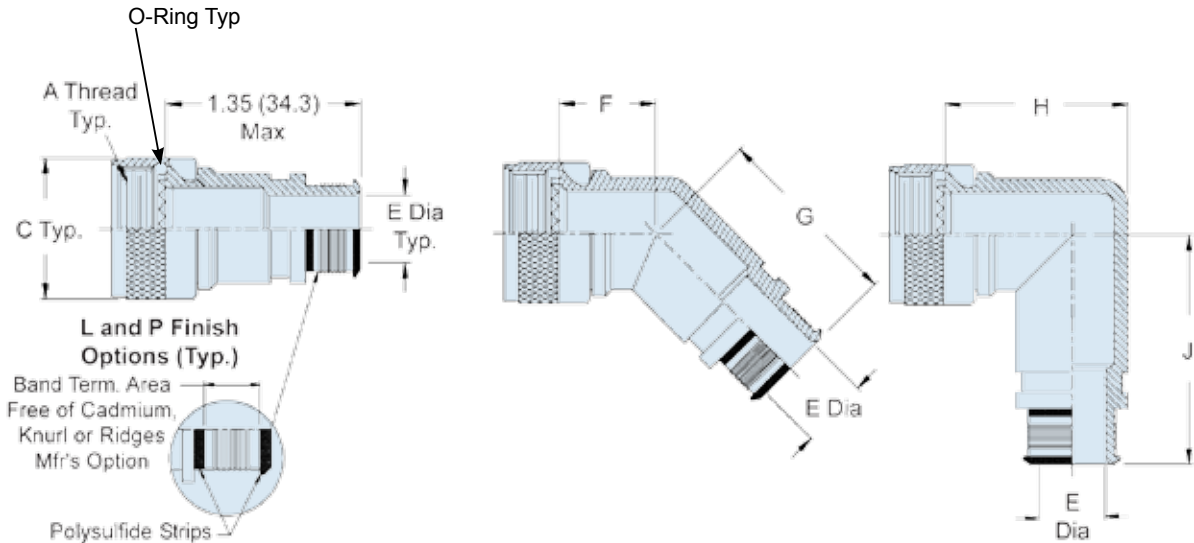


AS85049

| CONNECTOR DESIGNATOR: | |
|-----------------------|---|
| H | MIL-DTL-38999 Series III and IV EN3645 |



B



| APPLICATION NOTES |
|--|
| 1. Assembly identified with manufacturer's name and part number, space permitting. |
| 2. For complete dimensions, see the applicable Military Specification. |
| 3. Metric dimensions (mm) are in parentheses. |
| 4. For use with AS85049/128 Bands. |

Dimensions in inches (millimeters) and are subject to change without notice.



AS85049/88, AS85049/89 and AS85049/90 Straight, 45° and 90° Banding Backshells with Self-Locking Coupling

TABLE I: Shell Size, Cable Entry and Backshell Dimensions

| Shell Size | A Thread Class 2B | C Dia Max | E Dia Cable Entry Size 02 ±.010 (0.30) | E Dia Cable Entry Size 03 ±.010 (0.30) | F Max | G Max | H Max | J Max |
|------------|-------------------|--------------|---|---|--------------|--------------|--------------|--------------|
| 9 | M12 X 1 - 6H | .860 (21.8) | N/A | .250 (6.4) | 1.010 (25.7) | 1.160 (29.5) | 1.375 (34.9) | 1.417 (36.0) |
| 11 | M15 X 1 - 6H | .990 (25.1) | N/A | .312 (7.9) | 1.030 (26.2) | 1.190 (30.2) | 1.437 (36.5) | 1.480 (37.6) |
| 13 | M18 X 1 - 6H | 1.160 (29.5) | .312 (7.9) | .438 (11.1) | 1.060 (26.9) | 1.210 (30.7) | 1.562 (39.7) | 1.553 (39.4) |
| 15 | M22 X 1 - 6H | 1.280 (32.5) | .438 (11.1) | .562 (14.3) | 1.080 (27.4) | 1.240 (31.5) | 1.687 (42.8) | 1.614 (41.0) |
| 17 | M25 X 1 - 6H | 1.410 (35.8) | .500 (12.7) | .625 (15.9) | 1.110 (28.2) | 1.260 (32.0) | 1.750 (44.5) | 1.678 (42.6) |
| 19 | M28 X 1 - 6H | 1.520 (38.6) | .625 (15.9) | .750 (19.1) | 1.120 (28.4) | 1.270 (32.3) | 1.875 (47.6) | 1.733 (44.0) |
| 21 | M31 X 1 - 6H | 1.640 (41.7) | .625 (15.9) | .812 (20.6) | 1.150 (29.2) | 1.300 (33.0) | 1.938 (49.2) | 1.796 (45.6) |
| 23 | M34 X 1 - 6H | 1.770 (45.0) | .688 (17.5) | .938 (23.8) | 1.170 (29.7) | 1.330 (33.8) | 2.062 (52.4) | 1.859 (47.2) |
| 25 | M37 X 1 - 6H | 1.890 (48.0) | .750 (19.1) | 1.000 (25.4) | 1.200 (30.5) | 1.350 (34.3) | 2.125 (54.0) | 1.919 (48.7) |

TABLE II: Finish and Material

| Aluminum | Composite | Finish Description |
|----------|---------------|---|
| G | Not Available | Electroless Nickel (Space Grade) |
| N | M | Electroless Nickel |
| P | L | Cadmium Olive Drab over Electroless Nickel, Selective Plating |
| W | J | Cadmium Olive Drab |
| X | XC | Nickel Fluorocarbon Polymer |
| YP | YL | Pure Dense Electrodeposited Aluminum, Selective Plating |
| Z | ZC | Zinc Nickel |
| ZP | ZL | Zinc Nickel, Selective Plating |

Dimensions in inches (millimeters) and are subject to change without notice.