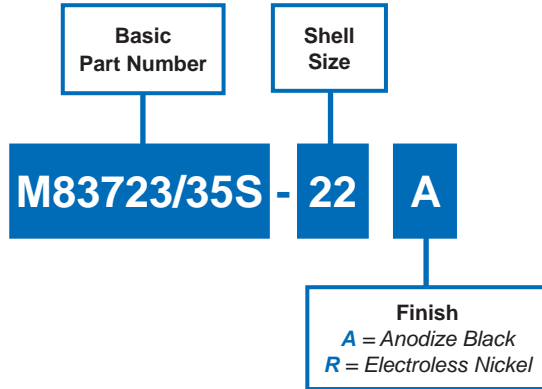


M83723/35S Straight Non-Environmental Strain Relief Backshell

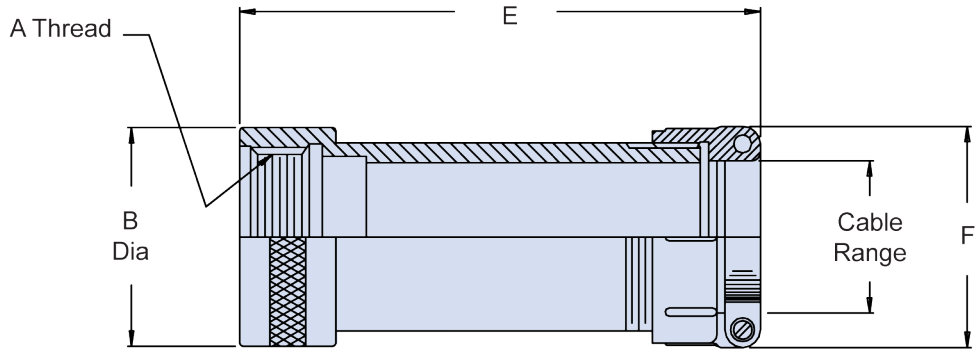


MIL-DTL-83723

CONNECTOR DESIGNATOR:	
K	MIL-DTL-83723 Series II



- APPLICATION NOTES**
- For complete dimensions see the applicable Military Specification.
 - Metric dimensions (mm) are in parentheses.
 - Cable Range is defined as the accommodation range for the wire bundle or cable. Dimensions shown are not intended for inspection criteria.



Shell Size	Shell Size (s) (Ref)	A Thread Class 2B	B Dia Max	E Max	F Max	Cable Range	
						Min	Max
08	8S	.438 - 28 UNEF	.590 (15.0)	1.290 (32.8)	.843 (21.4)	.125 (3.2)	.235 (6.0)
10	10S	.500 - 28 UNEF	.650 (16.5)	1.290 (32.8)	.843 (21.4)	.125 (3.2)	.235 (6.0)
11	10SL	.562 - 24 UNEF	.730 (18.5)	1.290 (32.8)	.906 (23.0)	.170 (4.3)	.297 (7.5)
13	12 & 12S	.625 - 24 UNEF	.770 (19.6)	1.290 (32.8)	1.085 (27.6)	.170 (4.3)	.297 (7.5)
15	14 & 14S	.625 - 24 UNEF	.910 (23.1)	1.368 (34.7)	1.093 (27.8)	.235 (6.0)	.422 (10.7)
16	16	.750 - 20 UNEF	1.030 (26.2)	1.587 (40.3)	1.275 (32.4)	.295 (7.5)	.547 (13.9)
17	16S	.750 - 20 UNEF	1.030 (26.2)	1.430 (36.3)	1.187 (30.1)	.295 (7.5)	.547 (13.9)
18	18	.875 - 20 UNEF	1.170 (29.7)	1.695 (43.1)	1.475 (37.5)	.325 (8.3)	.610 (15.5)
20	20	.875 - 20 UNEF	1.300 (33.0)	1.695 (43.1)	1.500 (38.1)	.380 (9.7)	.735 (18.7)
22	22	1.000 - 20 UNEF	1.420 (36.1)	1.695 (43.1)	1.710 (43.4)	.380 (9.7)	.735 (18.7)
24	24	1.125 - 18 UNEF	1.530 (38.9)	1.931 (49.0)	1.719 (43.7)	.500 (12.7)	.922 (23.4)
28	28	1.250 - 18 UNEF	1.800 (45.7)	1.931 (49.0)	2.040 (51.8)	.500 (12.7)	.922 (23.4)
32	32	1.375 - 18 UNEF	2.040 (51.8)	1.869 (47.5)	2.332 (59.2)	.705 (17.9)	1.235 (31.4)
36	36	2.125 - 16 UN	2.270 (57.7)	1.869 (47.5)	2.312 (58.7)	.725 (18.4)	1.360 (34.5)
40	40	2.375 - 16 UN	2.780 (70.6)	2.875 (73.0)	2.950 (74.9)	.911 (23.1)	1.630 (41.4)

Dimensions in inches (millimeters) and are subject to change without notice.