

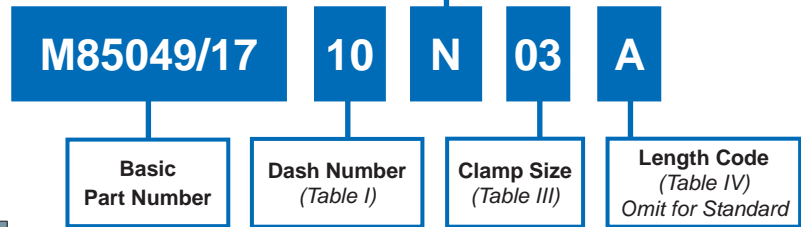
AS85049/17 Straight EMI/RFI Environmental Backshell



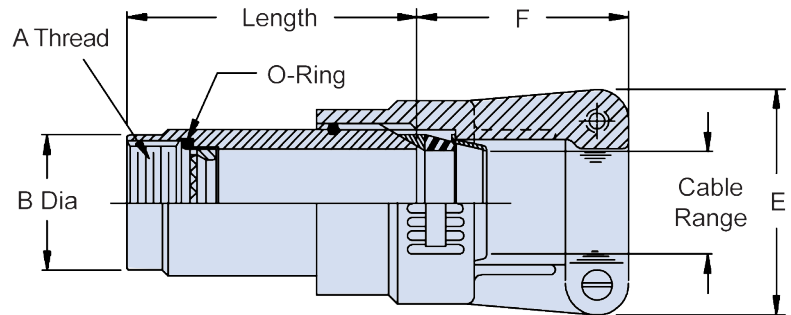
AS85049

| CONNECTOR DESIGNATOR: | |
|-----------------------|-------------------------------|
| F | MIL-DTL-38999 Series I and II |

| Finish | |
|---|---|
| N = Electroless Nickel | X = Aluminum, Nickel Fluorocarbon Polymer |
| W = 1,000 Hr. Cadmium Olive Drab over Electroless Nickel | Z = Aluminum, Zinc-Nickel, Black over Electroless Nickel |



| Dash No. | Shell Size Series I | Shell Size Series II | A Thread Class 2B | B Dia Max |
|----------|---------------------|----------------------|-------------------|--------------|
| 08 | 09 | 08 | .438 - 28 UNEF | .570 (14.5) |
| 10 | 11 | 10 | .562 - 24 UNEF | .700 (17.8) |
| 12 | 13 | 12 | .688 - 24 UNEF | .830 (21.1) |
| 14 | 15 | 14 | .813 - 20 UNEF | .950 (24.1) |
| 16 | 17 | 16 | .938 - 20 UNEF | 1.080 (27.4) |
| 18 | 19 | 18 | 1.063 - 18 UNEF | 1.200 (30.5) |
| 20 | 21 | 20 | 1.188 - 18 UNEF | 1.330 (33.8) |
| 22 | 23 | 22 | 1.313 - 18 UNEF | 1.450 (36.8) |
| 24 | 25 | 24 | 1.438 - 18 UNEF | 1.580 (40.1) |



| Dash No. | Shell Size Series I | Shell Size Series II | Clamp Size | |
|----------|---------------------|----------------------|------------|-----|
| | | | Min | Max |
| 08 | 09 | 08 | 01 | 02 |
| 10 | 11 | 10 | 01 | 03 |
| 12 | 13 | 12 | 02 | 04 |
| 14 | 15 | 14 | 02 | 05 |
| 16 | 17 | 16 | 02 | 06 |
| 18 | 19 | 18 | 03 | 07 |
| 20 | 21 | 20 | 03 | 08 |
| 22 | 23 | 22 | 03 | 09 |
| 24 | 25 | 24 | 04 | 10 |

| Clamp Size | Cable Range | | E Max | F Max |
|------------|--------------|--------------|--------------|--------------|
| | Min | Max | | |
| 01 | .062 (1.6) | .125 (3.2) | .781 (19.8) | 1.250 (31.8) |
| 02 | .125 (3.2) | .250 (6.4) | .969 (24.6) | 1.250 (31.8) |
| 03 | .250 (6.4) | .375 (9.5) | 1.062 (27.0) | 1.250 (31.8) |
| 04 | .375 (9.5) | .500 (12.7) | 1.156 (29.4) | 1.250 (31.8) |
| 05 | .500 (12.7) | .625 (15.9) | 1.250 (31.8) | 1.312 (33.3) |
| 06 | .625 (15.9) | .750 (19.1) | 1.375 (34.9) | 1.375 (34.9) |
| 07 | .750 (19.1) | .875 (22.2) | 1.500 (38.1) | 1.500 (38.1) |
| 08 | .875 (22.2) | 1.000 (25.4) | 1.625 (41.3) | 1.625 (41.3) |
| 09 | 1.000 (25.4) | 1.125 (28.6) | 1.750 (44.5) | 1.625 (41.3) |
| 10 | 1.125 (28.6) | 1.250 (31.8) | 1.875 (47.6) | 1.625 (41.3) |

| Length Code | Available Shell Sizes | Length |
|-------------|-----------------------|---------------|
| Standard | 08 - 24 | 1.500 (38.1) |
| A | 08 - 24 | 2.500 (63.5) |
| B | 14 - 24 | 3.500 (88.9) |
| C | 20 - 24 | 4.500 (114.3) |

- ### APPLICATION NOTES
- For complete dimensions see the applicable Military Specification.
 - Metric dimensions (mm) are in parentheses.
 - Cable Range is defined as the accommodation range for the wire bundle or cable. Dimensions shown are not intended for inspection criteria.

Dimensions in inches (millimeters) and are subject to change without notice.