

AS85049/17 Straight EMI/RFI Environmental Backshell



AS85049

CONNECTOR DESIGNATOR:

F MIL-DTL-38999 Series I and II

Finish
N = Electroless Nickel **X** = Aluminum, Nickel Fluorocarbon Polymer
W = 1,000 Hr. Cadmium Olive Drab over Electroless Nickel **Z** = Aluminum, Zinc-Nickel, Black over Electroless Nickel

M85049/17

10

N

03

A

Basic Part Number **Dash Number (Table I)** **Clamp Size (Table III)** **Length Code (Table IV) Omit for Standard**

B

TABLE I: Shell Size, Thread and Dimensions

| Dash No. | Shell Size Series I | Shell Size Series II | A Thread Class 2B | B Dia Max |
|----------|---------------------|----------------------|-------------------|--------------|
| 08 | 09 | 08 | .438 - 28 UNEF | .570 (14.5) |
| 10 | 11 | 10 | .562 - 24 UNEF | .700 (17.8) |
| 12 | 13 | 12 | .688 - 24 UNEF | .830 (21.1) |
| 14 | 15 | 14 | .813 - 20 UNEF | .950 (24.1) |
| 16 | 17 | 16 | .938 - 20 UNEF | 1.080 (27.4) |
| 18 | 19 | 18 | 1.063 - 18 UNEF | 1.200 (30.5) |
| 20 | 21 | 20 | 1.188 - 18 UNEF | 1.330 (33.8) |
| 22 | 23 | 22 | 1.313 - 18 UNEF | 1.450 (36.8) |
| 24 | 25 | 24 | 1.438 - 18 UNEF | 1.580 (40.1) |

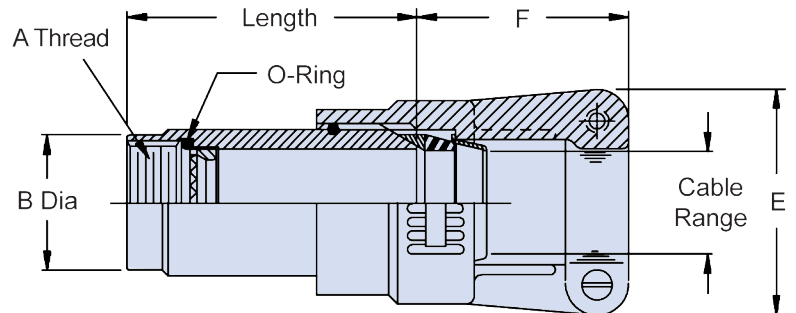


TABLE II: Shell Size and Clamp Size

| Dash No. | Shell Size Series I | Shell Size Series II | Clamp Size | |
|----------|---------------------|----------------------|------------|-----|
| | | | Min | Max |
| 08 | 09 | 08 | 01 | 02 |
| 10 | 11 | 10 | 01 | 03 |
| 12 | 13 | 12 | 02 | 04 |
| 14 | 15 | 14 | 02 | 05 |
| 16 | 17 | 16 | 02 | 06 |
| 18 | 19 | 18 | 03 | 07 |
| 20 | 21 | 20 | 03 | 08 |
| 22 | 23 | 22 | 03 | 09 |
| 24 | 25 | 24 | 04 | 10 |

TABLE III: Clamp Size, Cable Range and Dimensions

| Clamp Size | Cable Range | | E Max | F Max |
|------------|--------------|--------------|--------------|--------------|
| | Min | Max | | |
| 01 | .062 (1.6) | .125 (3.2) | .781 (19.8) | 1.250 (31.8) |
| 02 | .125 (3.2) | .250 (6.4) | .969 (24.6) | 1.250 (31.8) |
| 03 | .250 (6.4) | .375 (9.5) | 1.062 (27.0) | 1.250 (31.8) |
| 04 | .375 (9.5) | .500 (12.7) | 1.156 (29.4) | 1.250 (31.8) |
| 05 | .500 (12.7) | .625 (15.9) | 1.250 (31.8) | 1.312 (33.3) |
| 06 | .625 (15.9) | .750 (19.1) | 1.375 (34.9) | 1.375 (34.9) |
| 07 | .750 (19.1) | .875 (22.2) | 1.500 (38.1) | 1.500 (38.1) |
| 08 | .875 (22.2) | 1.000 (25.4) | 1.625 (41.3) | 1.625 (41.3) |
| 09 | 1.000 (25.4) | 1.125 (28.6) | 1.750 (44.5) | 1.625 (41.3) |
| 10 | 1.125 (28.6) | 1.250 (31.8) | 1.875 (47.6) | 1.625 (41.3) |

TABLE IV: Length Code

| Length Code | Available Shell Sizes | Length |
|-------------|-----------------------|---------------|
| Standard | 08 - 24 | 1.500 (38.1) |
| A | 08 - 24 | 2.500 (63.5) |
| B | 14 - 24 | 3.500 (88.9) |
| C | 20 - 24 | 4.500 (114.3) |

APPLICATION NOTES

- For complete dimensions see the applicable Military Specification.
- Metric dimensions (mm) are in parentheses.
- Cable Range is defined as the accommodation range for the wire bundle or cable. Dimensions shown are not intended for inspection criteria.

Dimensions in inches (millimeters) and are subject to change without notice.