

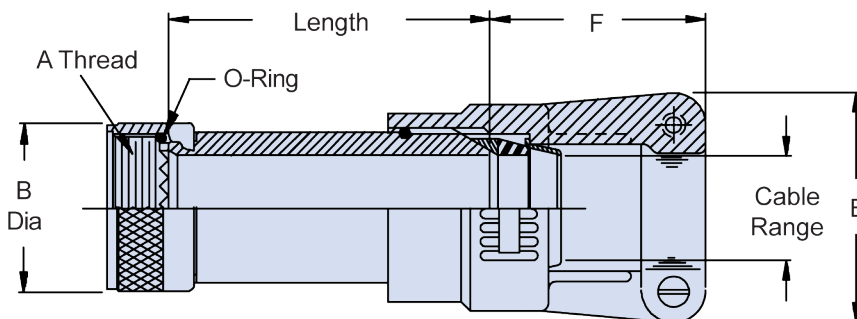
CONNECTOR DESIGNATOR:

H MIL-DTL-38999, Series III and IV
EN3645

Finish

N = Electroless Nickel**W** = 1,000 Hr. Cadmium Olive Drab
over Electroless Nickel**X** = Aluminum, Nickel Fluorocarbon Polymer**Z** = Aluminum, Zinc-Nickel, Black**M85049/18****11****N****03****A**Basic
Part NumberShell Size
(Table I)Clamp Size
(Table III)Length Code
(Table IV)
Omit for StandardTABLE I: Shell Size,
Thread and Dimensions

Shell Size	A Thread Class 2B	B Dia Max
9	M12 X 1 - 6H	.750 (19.1)
11	M15 X 1 - 6H	.850 (21.6)
13	M18 X 1 - 6H	1.000 (25.4)
15	M22 X 1 - 6H	1.150 (29.2)
17	M25 X 1 - 6H	1.250 (31.8)
19	M28 X 1 - 6H	1.400 (35.6)
21	M31 X 1 - 6H	1.550 (39.4)
23	M34 X 1 - 6H	1.650 (41.9)
25	M37 X 1 - 6H	1.850 (47.0)

TABLE II:
Shell Size and
Clamp Size

Shell Size	Clamp Size	
	Min	Max
9	01	02
11	01	03
13	02	04
15	02	05
17	02	06
19	03	07
21	03	08
23	03	09
25	04	10

TABLE III: Clamp Size, Cable Range and Dimensions

Clamp Size	Cable Range		E Max	F Max
	Min	Max		
01	.062 (1.6)	.125 (3.2)	.781 (19.8)	1.250 (31.8)
02	.125 (3.2)	.250 (6.4)	.969 (24.6)	1.250 (31.8)
03	.250 (6.4)	.375 (9.5)	1.062 (27.0)	1.250 (31.8)
04	.375 (9.5)	.500 (12.7)	1.156 (29.4)	1.250 (31.8)
05	.500 (12.7)	.625 (15.9)	1.250 (31.8)	1.312 (33.3)
06	.625 (15.9)	.750 (19.1)	1.375 (34.9)	1.375 (34.9)
07	.750 (19.1)	.875 (22.2)	1.500 (38.1)	1.500 (38.1)
08	.875 (22.2)	1.000 (25.4)	1.625 (41.3)	1.625 (41.3)
09	1.000 (25.4)	1.125 (28.6)	1.750 (44.5)	1.625 (41.3)
10	1.125 (28.6)	1.250 (31.8)	1.875 (47.6)	1.625 (41.3)

TABLE IV: Length Code

Length Code	Available Shell Sizes	Length
Standard	9 - 25	1.500 (38.1)
A	9 - 25	2.500 (63.5)
B	9 - 25	3.500 (88.9)
C	9 - 25	4.500 (114.3)

APPLICATION NOTES

- For complete dimensions see the applicable Military Specification.
- Metric dimensions (mm) are in parentheses.
- Cable Range is defined as the accommodation range for the wire bundle or cable. Dimensions shown are not intended for inspection criteria.

Dimensions in inches (millimeters) and are subject to change without notice.