

# AS85049/24 and MS3188C 90° EMI/RFI Non-Environmental Backshell



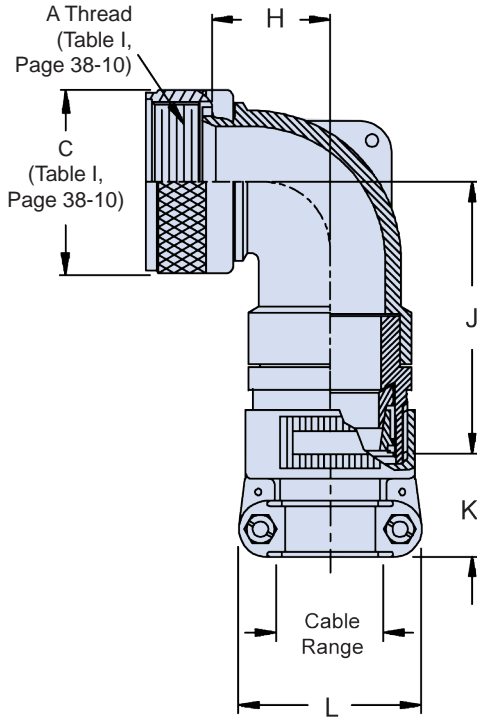
AS85049

B

CONNECTOR DESIGNATOR:	
<b>A</b>	AS50151 Series AS34001
	MIL-DTL-26482 Series II
	AS81703 Series III
	MIL-DTL-83723 Series I & III
	40M39569, DEF 5326-3, EN 2997
	EN 3646, ESC 10, ESC 11, LN 29504
	NFC93422 Series HE302
	PAN 6432-1, PAN 6432-2, PATT 602



STYLE 2



Basic Part Number      Dash Number (Table II)

**M85049/24 - 21 N**

**Finish / Material**  
*B = Black Cadmium / Stainless Steel*  
*N = Electroless Nickel / Aluminum*  
*S = Passivated / Stainless Steel*  
*W = 1,000 Hr. Cadmium Olive Drab over Electroless Nickel / Aluminum*  
*X = Aluminum, Nickel Fluorocarbon Polymer*  
*Z = Aluminum, Zinc-Nickel, Black*  
*XS = Stainless Steel, Nickel Fluorocarbon Polymer*  
*ZS = Stainless Steel, Zinc-Nickel, Black*

Superseded Part Number

**MS3188C 21 N**

Basic Part No.

Dash No.

**Finish (Material is Aluminum Only)**  
*A = Cadmium Olive Drab over Nickel*  
*C = Cadmium Olive Drab*  
*N = Electroless Nickel*

Dash No.	Shell Size	H Max	J Max	K Ref.	L Max	Cable Range		M85049/42 Ref.
						Min	Max	
1	03	.698 (17.7)	1.862 (47.3)	1.027 (26.1)	.957 (24.3)	.125 (3.2)	.250 (6.4)	04
2	03	1.448 (36.8)	1.382 (35.1)	1.027 (26.1)	1.145 (29.1)	.250 (6.4)	.437 (11.1)	04
3	08	.603 (15.3)	1.262 (32.1)	1.027 (26.1)	.957 (24.3)	.125 (3.2)	.250 (6.4)	04
4	10	.698 (17.7)	1.982 (50.3)	1.027 (26.1)	.957 (24.3)	.125 (3.2)	.312 (7.9)	04
5	10	.698 (17.7)	1.382 (35.1)	1.027 (26.1)	1.145 (29.1)	.250 (6.4)	.375 (9.5)	06
6	12	.703 (17.9)	2.002 (50.9)	1.027 (26.1)	.957 (24.3)	.125 (3.2)	.312 (7.9)	04
7	12	.703 (17.9)	2.002 (50.9)	1.027 (26.1)	1.145 (29.1)	.250 (6.4)	.437 (11.1)	06
8	12	.703 (17.9)	1.397 (35.5)	1.027 (26.1)	1.332 (33.8)	.350 (8.9)	.500 (12.7)	10
9	14	.803 (20.4)	2.072 (52.6)	1.027 (26.1)	1.145 (29.1)	.250 (6.4)	.437 (11.1)	06
10	14	.803 (20.4)	1.717 (43.6)	1.027 (26.1)	1.332 (33.8)	.350 (8.9)	.575 (14.6)	10
11	16	.988 (25.1)	2.162 (54.9)	1.027 (26.1)	1.145 (29.1)	.250 (6.4)	.437 (11.1)	06
12	16	.988 (25.1)	1.807 (45.9)	1.059 (26.9)	1.551 (39.4)	.500 (12.7)	.700 (17.8)	12
13	18	1.078 (27.4)	2.332 (59.2)	1.027 (26.1)	1.332 (33.8)	.350 (8.9)	.625 (15.9)	10
14	18	1.078 (27.4)	1.982 (50.3)	1.156 (29.4)	1.770 (45.0)	.625 (15.9)	.779 (19.8)	16
15	20	1.078 (27.4)	2.332 (59.2)	1.027 (26.1)	1.332 (33.8)	.350 (8.9)	.625 (15.9)	10
16	20	1.079 (27.4)	1.982 (50.3)	1.156 (29.4)	1.770 (45.0)	.625 (15.9)	.904 (23.0)	16
17	22	1.228 (31.2)	2.442 (62.0)	1.059 (26.9)	1.551 (39.4)	.500 (12.7)	.750 (19.1)	12
18	22	1.228 (31.2)	2.087 (53.0)	1.375 (34.9)	2.113 (53.7)	.875 (22.2)	1.029 (26.1)	20
19	24	1.228 (31.2)	2.442 (62.0)	1.059 (26.9)	1.551 (39.4)	.500 (12.7)	.750 (19.1)	12
20	24	1.228 (31.2)	2.087 (53.0)	1.375 (34.9)	2.113 (53.7)	.875 (22.2)	1.144 (29.1)	20
21	28	1.328 (33.7)	2.612 (66.3)	1.156 (33.7)	1.770 (45.0)	.625 (15.9)	.937 (23.8)	16

Continued on Page B-46 • Refer to the Mil-Spec for Complete Dimensions

Dimensions in inches (millimeters) and are subject to change without notice.

© 2013 Glenair, Inc.

U.S. CAGE Code 06324

Printed in U.S.A.



## AS85049/24 and MS3188C 90° EMI/RFI Non-Environmental Backshell

**TABLE II: Continued from Page B-45 • Refer to the Mil-DSpec for Complete Dimensions**

Dash No.	Shell Size	H Max	K Max	K Ref.	L Max	Cable Range		M85049/42 Ref.
						Min	Max	
22	28	1.328 (33.7)	2.257 (57.3)	1.500 (38.1)	2.363 (60.0)	1.000 (25.4)	1.375 (34.9)	24
23	32	1.678 (42.6)	2.862 (72.7)	1.156 (29.4)	1.770 (45.0)	.625 (15.9)	.937 (23.8)	16
24	32	1.678 (42.6)	2.862 (72.7)	1.375 (34.9)	2.113 (53.7)	.875 (22.2)	1.250 (31.8)	20
25	32	1.678 (42.6)	2.507 (63.7)	1.781 (45.2)	2.770 (70.4)	1.250 (31.8)	1.625 (41.3)	28
26	36	1.878 (47.7)	2.832 (71.9)	1.156 (29.4)	1.770 (45.0)	.625 (15.9)	.937 (23.8)	16
27	36	1.878 (47.7)	2.832 (71.9)	1.500 (38.1)	2.363 (60.0)	1.000 (25.4)	1.375 (34.9)	24
28	36	1.878 (47.7)	2.477 (62.9)	1.830 (46.5)	3.020 (76.7)	1.437 (36.5)	1.840 (46.7)	32
29	40	2.628 (66.8)	2.832 (71.9)	1.156 (29.4)	1.770 (45.0)	.625 (15.9)	.937 (23.8)	16
30	40	2.628 (66.8)	2.832 (71.9)	1.500 (38.1)	2.363 (60.0)	1.000 (25.4)	1.375 (34.9)	24
31	40	2.628 (66.8)	2.477 (62.9)	1.830 (46.5)	3.020 (76.7)	1.437 (36.5)	1.875 (47.6)	32
32	44	2.628 (66.8)	2.832 (71.9)	1.156 (29.4)	1.770 (45.0)	.625 (15.9)	.937 (23.8)	16
33	44	2.628 (66.8)	2.832 (71.9)	1.500 (38.1)	2.363 (60.0)	1.000 (25.4)	1.375 (34.9)	24
34	44	2.628 (66.8)	2.477 (62.9)	1.830 (46.5)	3.020 (76.7)	1.437 (36.5)	1.875 (47.6)	32
35	48	2.628 (66.8)	2.832 (71.9)	1.156 (29.4)	1.770 (45.0)	.625 (15.9)	.937 (23.8)	16
36	48	2.628 (66.8)	2.832 (71.9)	1.500 (38.1)	2.363 (60.0)	1.000 (25.4)	1.375 (34.9)	24
37	48	2.628 (66.8)	2.477 (62.9)	1.830 (46.5)	3.020 (76.7)	1.437 (36.5)	1.875 (47.6)	32
38	61	1.228 (31.2)	2.442 (62.0)	1.059 (26.9)	1.551 (39.4)	.500 (12.7)	.750 (19.1)	12
39	61	1.228 (31.2)	2.087 (53.0)	1.375 (34.9)	2.113 (53.7)	.875 (22.2)	1.184 (30.1)	20
40	16	.988 (25.1)	2.162 (54.9)	1.027 (26.1)	1.332 (33.8)	.350 (8.9)	.625 (15.9)	10
41	18	1.078 (27.4)	2.332 (59.2)	1.027 (26.1)	.957 (24.3)	.125 (3.2)	.312 (7.9)	04
42	18	1.078 (27.4)	2.332 (59.2)	1.027 (26.1)	1.145 (29.1)	.250 (6.4)	.437 (11.1)	06
43	20	1.078 (27.4)	2.332 (59.2)	1.027 (26.1)	1.145 (29.1)	.250 (6.4)	.437 (11.1)	06
44	22	1.228 (31.2)	2.442 (62.0)	1.027 (26.1)	.957 (24.3)	.125 (3.2)	.312 (7.9)	04
45	22	1.228 (31.2)	2.442 (62.0)	1.027 (26.1)	1.145 (29.1)	.250 (6.4)	.437 (11.1)	06
46	24	1.228 (31.2)	2.442 (62.0)	1.027 (26.1)	1.332 (33.8)	.350 (8.9)	.625 (15.9)	10
47	36	1.878 (47.7)	2.832 (71.9)	1.059 (26.9)	1.551 (39.4)	.500 (12.7)	.750 (19.1)	12
48	40	1.878 (47.7)	2.832 (71.9)	1.059 (26.9)	1.551 (39.4)	.500 (12.7)	.750 (19.1)	12
49*	10	1.453 (36.9)	2.002 (50.9)	1.027 (26.1)	1.145 (29.1)	.250 (6.4)	.437 (11.1)	06
50*	14	1.828 (46.4)	2.334 (59.3)	1.059 (26.9)	1.551 (39.4)	.500 (12.7)	.750 (19.1)	12
51*	16	1.978 (50.2)	2.442 (62.0)	1.156 (29.4)	1.770 (45.0)	.625 (15.9)	.937 (23.8)	16
52	18	1.078 (27.4)	2.332 (59.2)	1.059 (26.9)	1.551 (39.4)	.500 (12.7)	.750 (19.1)	12
53	61	1.228 (31.2)	2.087 (53.0)	1.156 (29.4)	1.770 (45.0)	.625 (15.9)	.937 (23.8)	16
54	20	1.078 (27.4)	2.332 (59.2)	1.059 (26.9)	1.551 (39.4)	.500 (12.7)	.750 (19.1)	12
55*	20	2.078 (52.8)	2.612 (66.3)	1.375 (34.9)	2.113 (53.7)	.875 (22.2)	1.250 (31.8)	20
56	22	1.228 (31.2)	2.442 (62.0)	1.027 (26.1)	1.332 (33.8)	.350 (8.9)	.625 (15.9)	10
57	22	1.228 (31.2)	2.442 (62.0)	1.156 (29.4)	1.770 (45.0)	.625 (15.9)	.937 (23.8)	16
58*	22	2.078 (52.8)	2.612 (66.3)	1.375 (34.9)	2.113 (53.7)	.875 (22.2)	1.250 (31.8)	20
59	24	1.228 (31.2)	2.442 (62.0)	1.156 (29.4)	1.770 (45.0)	.625 (15.9)	.937 (23.8)	16
60	28	1.328 (33.7)	2.612 (66.3)	1.059 (26.9)	1.551 (39.4)	.500 (12.7)	.750 (19.1)	12
61	28	1.328 (33.7)	2.612 (66.3)	1.375 (34.9)	2.113 (53.7)	.875 (22.2)	1.250 (31.8)	20
62	32	1.678 (42.6)	2.862 (72.7)	1.500 (38.1)	2.363 (60.0)	1.000 (25.4)	1.375 (34.9)	24
63	36	1.878 (47.7)	2.832 (71.9)	1.375 (34.9)	2.113 (53.7)	.875 (22.2)	1.250 (31.8)	20
64	36	1.878 (47.7)	2.832 (71.9)	1.781 (45.2)	2.770 (70.4)	1.250 (31.8)	1.625 (41.3)	28
65	40	2.628 (66.8)	2.832 (71.9)	1.375 (34.9)	2.113 (53.7)	.875 (22.2)	1.250 (31.8)	20
66	40	2.628 (66.8)	2.832 (71.9)	1.375 (34.9)	2.113 (53.7)	.875 (22.2)	1.250 (31.8)	28
67	44	2.628 (66.8)	2.832 (71.9)	1.375 (34.9)	2.113 (53.7)	.875 (22.2)	1.250 (31.8)	20
68	44	2.628 (66.8)	2.832 (71.9)	1.781 (45.2)	2.770 (70.4)	1.250 (31.8)	1.625 (41.3)	28
69	48	2.628 (66.8)	2.832 (71.9)	1.375 (34.9)	2.113 (53.7)	.875 (22.2)	1.250 (31.8)	20
70	48	2.628 (66.8)	2.832 (71.9)	1.781 (45.2)	2.770 (70.4)	1.250 (31.8)	1.625 (41.3)	28
71*	12	1.748 (44.4)	2.162 (54.9)	1.027 (26.1)	1.332 (33.8)	.350 (8.9)	.625 (15.9)	10
72*	18	1.988 (50.5)	2.442 (62.0)	1.156 (29.4)	1.770 (45.0)	.625 (15.9)	.937 (23.8)	16
73*	24	2.088 (53.0)	2.612 (66.3)	1.375 (34.9)	2.116 (53.7)	.875 (22.2)	1.250 (31.8)	20
74	14	.803 (20.4)	2.072 (52.6)	1.027 (26.1)	.957 (24.3)	.125 (3.2)	.312 (7.9)	04
75	16	.988 (25.1)	2.162 (54.9)	1.027 (26.1)	.957 (24.3)	.125 (3.2)	.312 (7.9)	04

Dimensions in inches (millimeters) and are subject to change without notice.