

# AS85049/37 and M38999/8 90° EMI/RFI Non-Environmental Backshell



AS85049

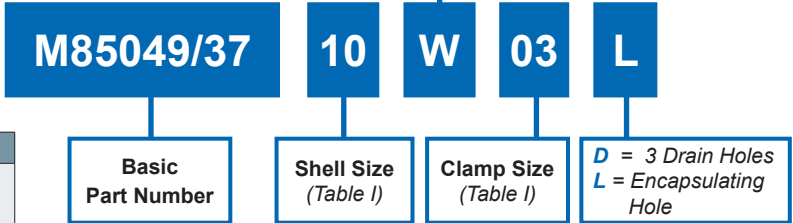
B

### CONNECTOR DESIGNATOR:

**F** MIL-DTL-38999 Series I and II

### Finish

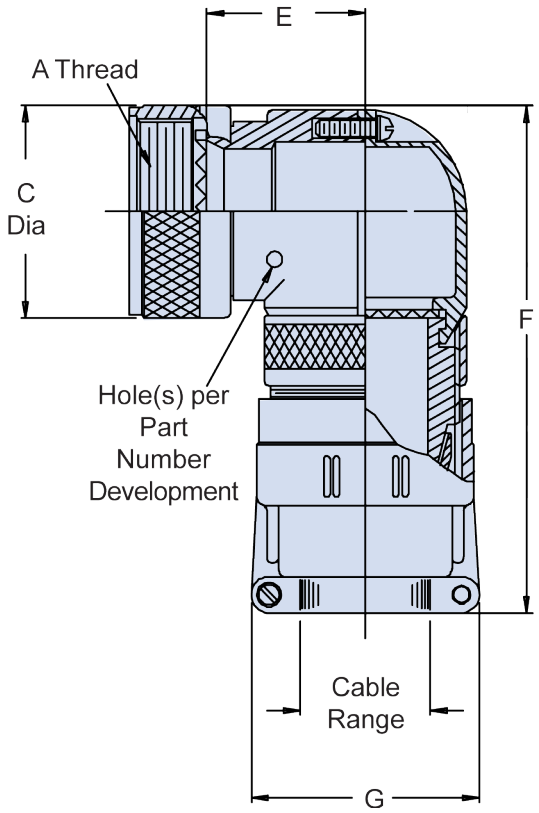
**N** = Electroless Nickel      **X** = Nickel Fluorocarbon Polymer  
**W** = 1,000 Hr. Cadmium Olive Drab over Electroless Nickel      **Z** = Zinc-Nickel, Black



Shell Size Series II	Series I Shell Size Ref.	A Thread Class 2B	C Dia Max
08	09	.438 - 28 UNEF	.750 (19.1)
10	11	.562 - 24 UNEF	.850 (21.6)
12	13	.688 - 24 UNEF	1.000 (25.4)
14	15	.813 - 20 UNEF	1.100 (27.9)
16	17	.938 - 20 UNEF	1.250 (31.8)
18	19	1.063 - 18 UNEF	1.400 (35.6)
20	21	1.188 - 18 UNEF	1.500 (38.1)
22	23	1.313 - 18 UNEF	1.650 (41.9)
24	25	1.438 - 18 UNEF	1.750 (44.5)

Shell Size Series II	Series I Shell Size Ref.	E Max	F Max	Clamp Size	
				Min	Max
8	09	.720 (18.3)	2.50 (63.5)	01	02
10	11	.720 (18.3)	2.50 (63.5)	01	03
12	13	.800 (20.3)	2.56 (65.0)	02	04
14	15	.850 (21.6)	2.69 (68.3)	02	05
16	17	.910 (23.1)	2.81 (71.4)	02	06
18	19	1.000 (25.4)	3.03 (77.0)	03	06
20	21	1.050 (26.7)	3.19 (81.0)	03	07
22	23	1.100 (27.9)	3.31 (84.1)	03	08
24	25	1.200 (30.5)	3.31 (84.1)	04	09

Clamp Size	Cable Range		G Max
	Min	Max	
01	.062 (1.6)	.125 (3.2)	.781 (19.8)
02	.125 (3.2)	.250 (6.4)	.969 (24.6)
03	.250 (6.4)	.375 (9.5)	1.062 (27.0)
04	.312 (7.9)	.500 (12.7)	1.156 (29.4)
05	.437 (11.1)	.625 (15.9)	1.250 (31.8)
06	.562 (14.3)	.750 (19.1)	1.375 (34.9)
07	.687 (17.4)	.875 (22.2)	1.500 (38.1)
08	.812 (20.6)	1.000 (25.4)	1.625 (41.3)
09	.937 (23.8)	1.125 (28.6)	1.750 (44.5)



- ### APPLICATION NOTES
- For complete dimensions see the applicable Military Specification.
  - Metric dimensions (mm) are in parentheses.
  - Cable Range is defined as the accommodation range for the wire bundle or cable. Dimensions shown are not intended for inspection criteria.

Dimensions in inches (millimeters) and are subject to change without notice.