

AS85049/37 and M38999/8 90° EMI/RFI Non-Environmental Backshell



AS85049

B

CONNECTOR DESIGNATOR:

F MIL-DTL-38999 Series I and II

Finish
N = Electroless Nickel *X* = Nickel Fluorocarbon Polymer
W = 1,000 Hr. Cadmium Olive Drab over Electroless Nickel *Z* = Zinc-Nickel, Black

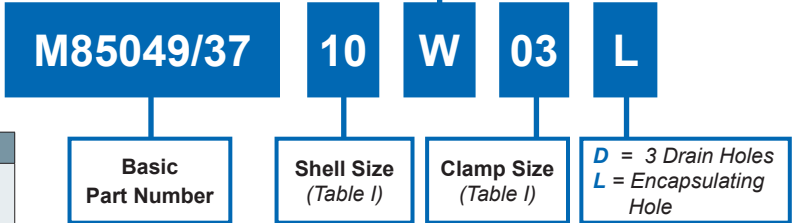


TABLE I: Shell Size

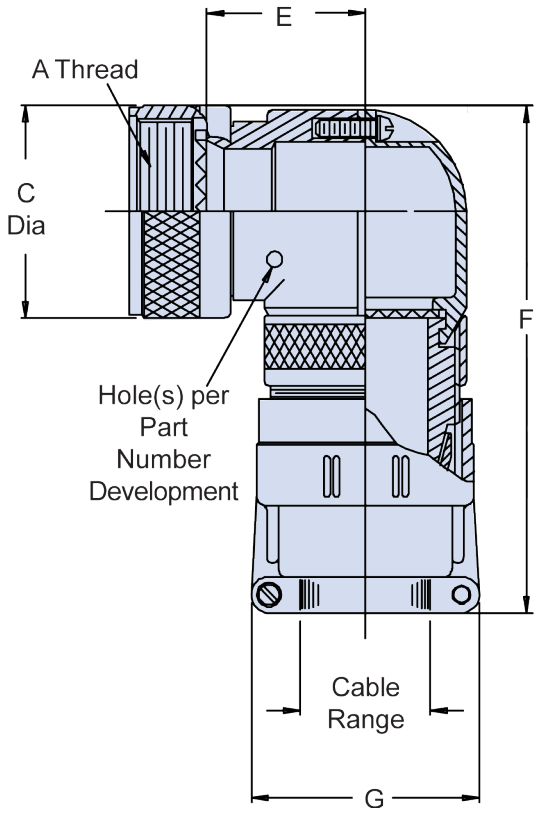
| Shell Size Series II | Series I Shell Size Ref. | A Thread Class 2B | C Dia Max |
|----------------------|--------------------------|-------------------|--------------|
| 08 | 09 | .438 - 28 UNEF | .750 (19.1) |
| 10 | 11 | .562 - 24 UNEF | .850 (21.6) |
| 12 | 13 | .688 - 24 UNEF | 1.000 (25.4) |
| 14 | 15 | .813 - 20 UNEF | 1.100 (27.9) |
| 16 | 17 | .938 - 20 UNEF | 1.250 (31.8) |
| 18 | 19 | 1.063 - 18 UNEF | 1.400 (35.6) |
| 20 | 21 | 1.188 - 18 UNEF | 1.500 (38.1) |
| 22 | 23 | 1.313 - 18 UNEF | 1.650 (41.9) |
| 24 | 25 | 1.438 - 18 UNEF | 1.750 (44.5) |

TABLE II: Clamp Size and Dimensions

| Shell Size Series II | Series I Shell Size Ref. | E Max | F Max | Clamp Size Min | Clamp Size Max |
|----------------------|--------------------------|--------------|-------------|----------------|----------------|
| 8 | 09 | .720 (18.3) | 2.50 (63.5) | 01 | 02 |
| 10 | 11 | .720 (18.3) | 2.50 (63.5) | 01 | 03 |
| 12 | 13 | .800 (20.3) | 2.56 (65.0) | 02 | 04 |
| 14 | 15 | .850 (21.6) | 2.69 (68.3) | 02 | 05 |
| 16 | 17 | .910 (23.1) | 2.81 (71.4) | 02 | 06 |
| 18 | 19 | 1.000 (25.4) | 3.03 (77.0) | 03 | 06 |
| 20 | 21 | 1.050 (26.7) | 3.19 (81.0) | 03 | 07 |
| 22 | 23 | 1.100 (27.9) | 3.31 (84.1) | 03 | 08 |
| 24 | 25 | 1.200 (30.5) | 3.31 (84.1) | 04 | 09 |

TABLE II: Clamp Size and Dimensions

| Clamp Size | Cable Range | | G Max |
|------------|-------------|--------------|--------------|
| | Min | Max | |
| 01 | .062 (1.6) | .125 (3.2) | .781 (19.8) |
| 02 | .125 (3.2) | .250 (6.4) | .969 (24.6) |
| 03 | .250 (6.4) | .375 (9.5) | 1.062 (27.0) |
| 04 | .312 (7.9) | .500 (12.7) | 1.156 (29.4) |
| 05 | .437 (11.1) | .625 (15.9) | 1.250 (31.8) |
| 06 | .562 (14.3) | .750 (19.1) | 1.375 (34.9) |
| 07 | .687 (17.4) | .875 (22.2) | 1.500 (38.1) |
| 08 | .812 (20.6) | 1.000 (25.4) | 1.625 (41.3) |
| 09 | .937 (23.8) | 1.125 (28.6) | 1.750 (44.5) |



APPLICATION NOTES

- For complete dimensions see the applicable Military Specification.
- Metric dimensions (mm) are in parentheses.
- Cable Range is defined as the accommodation range for the wire bundle or cable. Dimensions shown are not intended for inspection criteria.

Dimensions in inches (millimeters) and are subject to change without notice.