



AS85049/76 90° EMI/RFI Environmental Backshell

CONNECTOR DESIGNATOR:

F MIL-DTL-38999 Series I and II

Finish

N = Electroless Nickel

X = Aluminum, Nickel Fluorocarbon Polymer

W = 1,000 Hr. Cadmium Olive Drab
over Electroless Nickel

Z = Aluminum, Zinc-Nickel, Black

M85049/76

- 10

W

01

Basic
Part Number

Dash Number
(Table I)

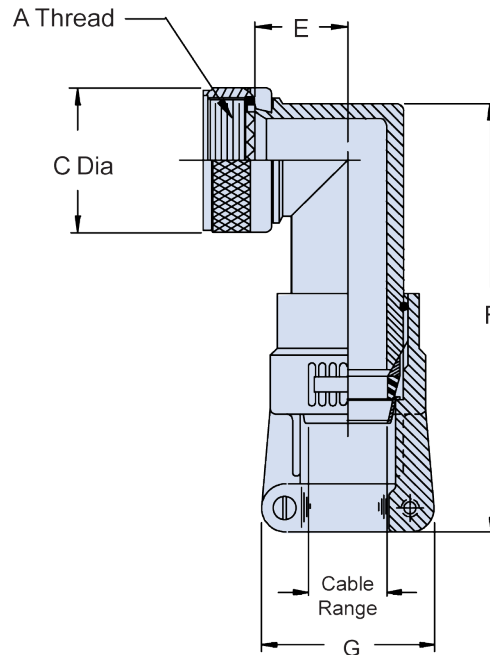
Clamp Size
(Tables II & III)

**TABLE I: Shell Size,
Thread and Dimensions**

Dash No.	Shell Size Series I	Shell Size Series II	A Thread Class 2B	C Dia Max
08	09	08	.438 - 28 UNEF	.750 (19.1)
10	11	10	.562 - 24 UNEF	.850 (21.6)
12	13	12	.688 - 24 UNEF	1.000 (25.4)
14	15	14	.813 - 20 UNEF	1.150 (29.2)
16	17	16	.938 - 20 UNEF	1.250 (31.8)
18	19	18	1.063 - 18 UNEF	1.400 (35.6)
20	21	20	1.188 - 18 UNEF	1.550 (39.4)
22	23	22	1.313 - 18 UNEF	1.650 (41.9)
24	25	24	1.438 - 18 UNEF	1.850 (47.0)

**TABLE II: Shell Size, Series 1 Reference,
Clamp Size and Dimensions**

Dash No.	Shell Size Series I	Shell Size Series II	Clamp Size		E ± .156 (4.0)	F ± .188 (4.8)
			Min	Max		
08	09	08	01	02	.532 (13.5)	3.267 (83.0)
10	11	10	01	03	.627 (15.9)	3.387 (86.0)
12	13	12	02	04	.642 (16.3)	3.407 (86.5)
14	15	14	02	05	.719 (18.3)	3.477 (88.3)
16	17	16	02	06	.774 (19.7)	3.567 (90.6)
18	19	18	03	07	.854 (21.7)	3.737 (94.9)
20	21	20	03	08	.899 (22.8)	3.737 (94.9)
22	23	22	03	09	1.009 (25.6)	3.847 (97.7)
24	25	24	04	10	1.024 (26.0)	3.847 (97.7)



APPLICATION NOTES

- For complete dimensions see the applicable Military Specification.
- Metric dimensions (mm) are in parentheses.
- Cable Range is defined as the accommodation range for the wire bundle or cable. Dimensions shown are not intended for inspection criteria.

**TABLE III: Clamp Size,
Cable Range and Dimensions**

Clamp Size	Cable Range		G Max
	Min	Max	
01	.062 (1.6)	.125 (3.2)	.800 (20.3)
02	.125 (3.2)	.250 (6.4)	1.000 (25.4)
03	.250 (6.4)	.375 (9.5)	1.100 (27.9)
04	.375 (9.5)	.500 (12.7)	1.200 (30.5)
05	.500 (12.7)	.625 (15.9)	1.250 (31.8)
06	.625 (15.9)	.750 (19.1)	1.400 (35.6)
07	.750 (19.1)	.875 (22.2)	1.500 (38.1)
08	.875 (22.2)	1.000 (25.4)	1.650 (41.9)
09	1.000 (25.4)	1.125 (28.6)	1.750 (44.5)
10	1.125 (28.6)	1.250 (31.8)	1.900 (48.3)

Dimensions in inches (millimeters) and are subject to change without notice.