

CONNECTOR DESIGNATOR:

H MIL-DTL-38999, Series III and IV
EN3645

Finish

N = Electroless Nickel

W = 1,000 Hr. Cadmium Olive Drab
over Electroless Nickel

X = Aluminum, Nickel Fluorocarbon Polymer

Z = Aluminum, Zinc-Nickel, Black

M85049/78

- 10

W

01

Basic
Part Number

Shell Size
(Tables I & II)

Clamp Size
(Tables II & III)

TABLE I: Shell Size,
Thread and Dimensions

| Shell Size | A Thread Class 2B | B Dia Max |
|------------|-------------------|--------------|
| 09 | M12 X 1 - 6H | .750 (19.1) |
| 11 | M15 X 1 - 6H | .850 (21.6) |
| 13 | M18 X 1 - 6H | 1.000 (25.4) |
| 15 | M22 X 1 - 6H | 1.150 (29.2) |
| 17 | M25 X 1 - 6H | 1.250 (31.8) |
| 19 | M28 X 1 - 6H | 1.400 (35.6) |
| 21 | M31 X 1 - 6H | 1.550 (39.4) |
| 23 | M34 X 1 - 6H | 1.650 (41.9) |
| 25 | M37 X 1 - 6H | 1.850 (47.0) |

TABLE II: Shell Size,
Clamp Size and Dimensions

| Shell Size | Clamp Size | | F ±.062 (1.6) | G ±.062 (1.6) |
|------------|------------|-----|------------------|------------------|
| | Min | Max | | |
| 09 | 01 | 02 | .398 (10.1) | 3.088 (78.4) |
| 11 | 01 | 03 | .458 (11.6) | 3.148 (80.0) |
| 13 | 02 | 04 | .518 (13.2) | 3.208 (81.5) |
| 15 | 02 | 05 | .588 (14.9) | 3.298 (83.8) |
| 17 | 02 | 06 | .678 (17.2) | 3.408 (86.6) |
| 19 | 03 | 07 | .868 (22.0) | 3.598 (91.4) |
| 21 | 03 | 08 | .868 (22.0) | 3.598 (91.4) |
| 23 | 03 | 09 | .958 (24.3) | 3.748 (95.2) |
| 25 | 04 | 10 | .958 (24.3) | 3.748 (95.2) |

APPLICATION NOTES

- For complete dimensions see the applicable Military Specification.
- Metric dimensions (mm) are in parentheses.
- Cable Range is defined as the accommodation range for the wire bundle or cable. Dimensions shown are not intended for inspection criteria.

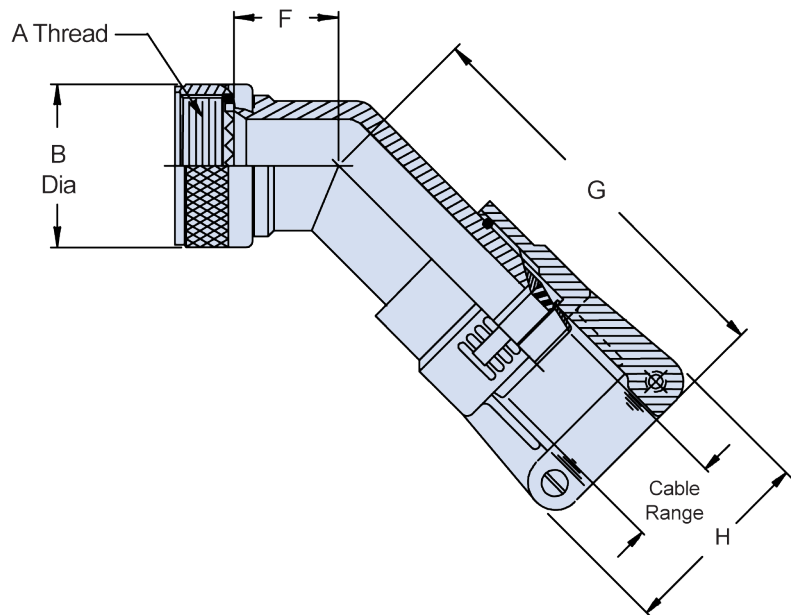


TABLE III: Clamp Size,
Cable Range and Dimensions

| Clamp Size | Cable Range | | H Max |
|------------|--------------|--------------|--------------|
| | Min | Max | |
| 01 | .062 (1.6) | .125 (3.2) | .800 (20.3) |
| 02 | .125 (3.2) | .250 (6.4) | 1.000 (25.4) |
| 03 | .250 (6.4) | .375 (9.5) | 1.100 (27.9) |
| 04 | .375 (9.5) | .500 (12.7) | 1.200 (30.5) |
| 05 | .500 (12.7) | .625 (15.9) | 1.250 (31.8) |
| 06 | .625 (15.9) | .750 (19.1) | 1.400 (35.6) |
| 07 | .750 (19.1) | .875 (22.2) | 1.500 (38.1) |
| 08 | .875 (22.2) | 1.000 (25.4) | 1.650 (41.9) |
| 09 | 1.000 (25.4) | 1.125 (28.6) | 1.750 (44.5) |
| 10 | 1.125 (28.6) | 1.250 (31.8) | 1.900 (48.3) |

Dimensions in inches (millimeters) and are subject to change without notice.