

# AS85049/8 and MS3188A 90° EMI/RFI Environmental Backshell



AS85049

B

### CONNECTOR DESIGNATOR:

**A**  
AS50151 Series AS34001  
MIL-DTL-26482 Series II  
AS81703 Series III  
MIL-DTL-83723 Series I & III  
40M39569, DEF 5326-3, EN 2997  
EN 3646, ESC 10, ESC 11,  
LN 29504  
NFC93422 Series HE302  
PAN 6432-1, PAN 6432-2,  
PATT 602

Basic  
Part Number

Dash Number  
(Table I)

**M85049/8**

**- 21**

**W**

Superseded  
Part Number

**MS3188A 21 C**

Basic  
Part No.

Dash  
No.

**Finish**  
(Material is Aluminum Only)  
**A** = Cadmium Olive Drab over Nickel  
**C** = Cadmium Olive Drab  
**N** = Electroless Nickel

### Finish / Material

**B** = Black Cadmium / Stainless Steel  
**N** = Electroless Nickel / Aluminum  
**S** = Passivated / Stainless Steel  
**W** = 1,000 Hr. Cadmium Olive Drab  
over Electroless Nickel / Aluminum  
**X** = Aluminum, Nickel Fluorocarbon Polymer  
**Z** = Aluminum, Zinc-Nickel, Black  
**XS** = Stainless Steel, Nickel Fluorocarbon Polymer  
**ZS** = Stainless Steel, Zinc-Nickel, Black

### APPLICATION NOTES

- For complete dimensions see the applicable Military Specification.
- When maximum cable entry is exceeded, Style 2 will be supplied.
- Metric dimensions (mm) are in parentheses.
- Cable Range is defined as the accommodation range for the wire bundle or cable. Dimensions shown are not intended for inspection criteria.

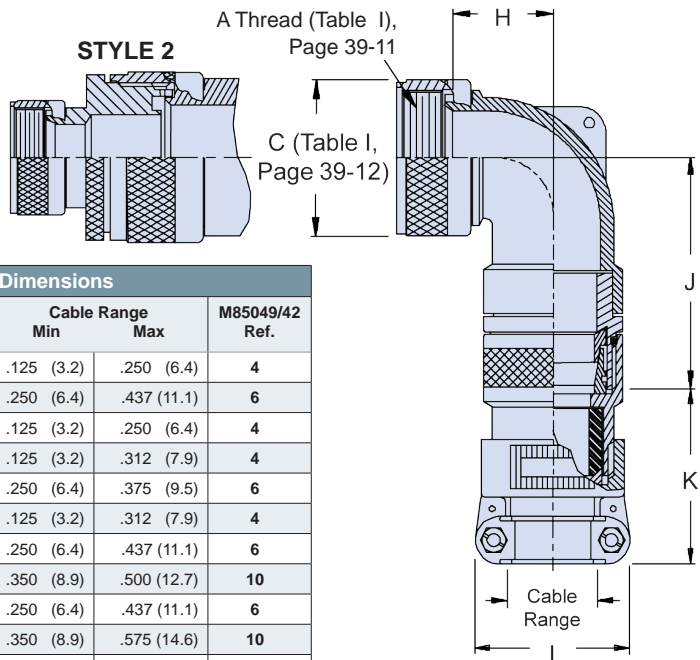


TABLE I: Dash Number, Cable Range and Dimensions

Dash No.	Shell Size	H Max	J Max	K Ref.	L Max	Cable Range Min	Cable Range Max	M85049/42 Ref.
1	3	.761 (19.3)	1.924 (48.9)	1.544 (39.2)	.957 (24.3)	.125 (3.2)	.250 (6.4)	4
2	3	1.511 (38.4)	1.444 (36.7)	1.544 (39.2)	1.145 (29.1)	.250 (6.4)	.437 (11.1)	6
3	8	.666 (16.9)	1.324 (33.6)	1.544 (39.2)	.957 (24.3)	.125 (3.2)	.250 (6.4)	4
4	10	.761 (19.3)	2.044 (51.9)	1.544 (39.2)	.957 (24.3)	.125 (3.2)	.312 (7.9)	4
5	10	.761 (19.3)	1.444 (36.7)	1.544 (39.2)	1.145 (29.1)	.250 (6.4)	.375 (9.5)	6
6	12	.766 (19.5)	2.064 (52.4)	1.544 (39.2)	.957 (24.3)	.125 (3.2)	.312 (7.9)	4
7	12	.766 (19.5)	2.064 (52.4)	1.544 (39.2)	1.145 (29.1)	.250 (6.4)	.437 (11.1)	6
8	12	.766 (19.5)	1.459 (37.1)	1.844 (46.8)	1.332 (33.8)	.350 (8.9)	.500 (12.7)	10
9	14	.866 (22.0)	2.134 (54.2)	1.544 (39.2)	1.145 (29.1)	.250 (6.4)	.437 (11.1)	6
10	14	.866 (22.0)	1.779 (45.2)	1.844 (46.8)	1.332 (33.8)	.350 (8.9)	.575 (14.6)	10
11	16	1.051 (26.7)	2.224 (56.5)	1.544 (39.2)	1.145 (29.1)	.250 (6.4)	.437 (11.1)	6
12	16	1.051 (26.7)	1.869 (47.5)	1.916 (48.7)	1.551 (39.4)	.500 (12.7)	.700 (17.8)	12
13	18	1.141 (29.0)	2.394 (60.8)	1.844 (46.8)	1.332 (33.8)	.350 (8.9)	.625 (15.9)	10
14	18	1.141 (29.0)	2.044 (51.9)	2.000 (50.8)	1.770 (45.0)	.625 (15.9)	.779 (19.8)	16
15	20	1.141 (29.0)	2.394 (60.8)	1.844 (46.8)	1.332 (33.8)	.350 (8.9)	.625 (15.9)	10
16	20	1.141 (29.0)	2.044 (51.9)	2.000 (50.8)	1.770 (45.0)	.625 (15.9)	.904 (23.0)	16
17	22	1.291 (32.8)	2.504 (63.6)	1.916 (48.7)	1.551 (39.4)	.500 (12.7)	.750 (19.1)	12
18	22	1.291 (32.8)	2.149 (54.6)	2.230 (56.6)	2.113 (53.7)	.875 (22.2)	1.029 (26.1)	20
19	24	1.291 (32.8)	2.504 (63.6)	1.916 (48.7)	1.551 (39.4)	.500 (12.7)	.750 (19.1)	12
20	24	1.291 (32.8)	2.149 (54.6)	2.230 (56.6)	2.113 (53.7)	.875 (22.2)	1.144 (29.1)	20
21	28	1.391 (35.3)	2.674 (67.9)	2.000 (50.8)	1.770 (45.0)	.625 (15.9)	.937 (23.8)	16

Continued on Page B-23

Dimensions in inches (millimeters) and are subject to change without notice.

© 2013 Glenair, Inc.

U.S. CAGE Code 06324

Printed in U.S.A.



# AS85049/8 and MS3188A 90° EMI/RFI Environmental Backshell

TABLE I: Continued from Page B-23

Dash No.	Shell Size	H Max	J Max	K Ref.	L Max	Cable Range		M85049/42 Ref.
						Min	Max	
22	28	1.391 (35.3)	2.319 (58.9)	2.024 (51.4)	2.363 (60.0)	1.000 (25.4)	1.375 (34.9)	24
23	32	1.741 (44.2)	2.924 (74.3)	2.000 (50.8)	1.770 (45.0)	.625 (15.9)	.937 (23.8)	16
24	32	1.741 (44.2)	2.924 (74.3)	2.230 (56.6)	2.113 (53.7)	.875 (22.2)	1.250 (31.8)	20
25	32	1.741 (44.2)	2.569 (65.3)	2.550 (64.8)	2.770 (70.4)	1.250 (31.8)	1.625 (41.3)	28
26	36	1.941 (49.3)	2.894 (73.5)	2.000 (50.8)	1.770 (45.0)	.625 (15.9)	.937 (23.8)	16
27	36	1.941 (49.3)	2.894 (73.5)	2.024 (51.4)	2.363 (60.0)	1.000 (25.4)	1.375 (34.9)	24
28	36	1.941 (49.3)	2.539 (64.5)	2.600 (66.0)	3.020 (76.7)	1.437 (36.5)	1.840 (46.7)	32
29	40	2.691 (68.4)	2.894 (73.5)	2.000 (50.8)	1.770 (45.0)	.625 (15.9)	.937 (23.8)	16
30	40	2.691 (68.4)	2.894 (73.5)	2.024 (51.4)	2.363 (60.0)	1.000 (25.4)	1.375 (34.9)	24
31	40	2.691 (68.4)	2.539 (64.5)	2.600 (66.0)	3.020 (76.7)	1.437 (36.5)	1.875 (47.6)	32
32	44	2.691 (68.4)	2.894 (73.5)	2.000 (50.8)	1.770 (45.0)	.625 (15.9)	.937 (23.8)	16
33	44	2.691 (68.4)	2.894 (73.5)	2.024 (51.4)	2.363 (60.0)	1.000 (25.4)	1.375 (34.9)	24
34	44	2.691 (68.4)	2.539 (64.5)	2.600 (66.0)	3.020 (76.7)	1.437 (36.5)	1.875 (47.6)	32
35	48	2.691 (68.4)	2.894 (73.5)	2.000 (50.8)	1.770 (45.0)	.625 (15.9)	.937 (23.8)	16
36	48	2.691 (68.4)	2.894 (73.5)	2.024 (51.4)	2.363 (60.0)	1.000 (25.4)	1.375 (34.9)	24
37	48	2.691 (68.4)	2.539 (64.5)	2.600 (66.0)	3.020 (76.7)	1.437 (36.5)	1.875 (47.6)	32
38	61	1.291 (32.8)	2.504 (63.6)	1.916 (48.7)	1.551 (39.4)	.500 (12.7)	.750 (19.1)	12
39	61	1.291 (32.8)	2.149 (54.6)	2.230 (56.6)	2.113 (53.7)	.875 (22.2)	1.184 (30.1)	20
40	16	1.051 (26.7)	2.224 (56.5)	1.844 (46.8)	1.332 (33.8)	.350 (8.9)	.625 (15.9)	10
41	18	1.141 (29.0)	2.394 (60.8)	1.544 (39.2)	.957 (24.3)	.125 (3.2)	.312 (7.9)	4
42	18	1.141 (29.0)	2.394 (60.8)	1.544 (39.2)	1.145 (29.1)	.250 (6.4)	.437 (11.1)	6
43	20	1.141 (29.0)	2.394 (60.8)	1.544 (39.2)	1.145 (29.1)	.250 (6.4)	.437 (11.1)	6
44	22	1.291 (32.8)	2.504 (63.6)	1.544 (39.2)	.957 (24.3)	.125 (3.2)	.312 (7.9)	4
45	22	1.291 (32.8)	2.504 (63.6)	1.544 (39.2)	1.145 (29.1)	.250 (6.4)	.437 (11.1)	6
46	24	1.291 (32.8)	2.504 (63.6)	1.844 (46.8)	1.332 (33.8)	.350 (8.9)	.625 (15.9)	10
47	36	1.941 (49.3)	2.894 (73.5)	1.916 (48.7)	1.551 (39.4)	.500 (12.7)	.750 (19.1)	12
48	40	1.941 (49.3)	2.894 (73.5)	1.916 (48.7)	1.551 (39.4)	.500 (12.7)	.750 (19.1)	12
49*	10	1.516 (38.5)	2.064 (52.4)	1.544 (39.2)	1.145 (29.1)	.250 (6.4)	.437 (11.1)	6
50*	14	1.891 (48.0)	2.394 (60.8)	1.916 (48.7)	1.551 (39.4)	.500 (12.7)	.750 (19.1)	12
51*	16	2.041 (51.8)	2.504 (63.6)	2.000 (50.8)	1.770 (45.0)	.625 (15.9)	.937 (23.8)	16
52	18	1.141 (29.0)	2.394 (60.8)	1.916 (48.7)	1.551 (39.4)	.500 (12.7)	.750 (19.1)	12
53	61	1.291 (32.8)	2.149 (54.6)	2.000 (50.8)	1.770 (45.0)	.625 (15.9)	.937 (23.8)	16
54	20	1.141 (29.0)	2.394 (60.8)	1.916 (48.7)	1.551 (39.4)	.500 (12.7)	.750 (19.1)	12
55*	20	2.141 (54.4)	2.674 (67.9)	2.230 (56.6)	2.113 (53.7)	.875 (22.2)	1.250 (31.8)	20
56	22	1.291 (32.8)	2.504 (63.6)	1.844 (46.8)	1.332 (33.8)	.350 (8.9)	.625 (15.9)	10
57	22	1.291 (32.8)	2.504 (63.6)	2.000 (50.8)	1.770 (45.0)	.625 (15.9)	.937 (23.8)	16
58*	22	2.141 (54.4)	2.674 (67.9)	2.230 (56.6)	2.113 (53.7)	.875 (22.2)	1.250 (31.8)	20
59	24	1.291 (32.8)	2.504 (63.6)	2.000 (50.8)	1.770 (45.0)	.625 (15.9)	.937 (23.8)	16
60	28	1.391 (35.3)	2.674 (67.9)	1.916 (48.7)	1.551 (39.4)	.500 (12.7)	.750 (19.1)	12
61	28	1.391 (35.3)	2.674 (67.9)	2.230 (56.6)	2.113 (53.7)	.875 (22.2)	1.250 (31.8)	20
62	32	1.741 (44.2)	2.924 (74.3)	2.024 (51.4)	2.363 (60.0)	1.000 (25.4)	1.375 (34.9)	24
63	36	1.941 (49.3)	2.894 (73.5)	2.230 (56.6)	2.113 (53.7)	.875 (22.2)	1.250 (31.8)	20
64	36	1.941 (49.3)	2.894 (73.5)	2.550 (64.8)	2.770 (70.4)	1.250 (31.8)	1.625 (41.3)	28
65	40	2.691 (68.4)	2.894 (73.5)	2.230 (56.6)	2.113 (53.7)	.875 (22.2)	1.250 (31.8)	20
66	40	2.691 (68.4)	2.894 (73.5)	2.550 (64.8)	2.770 (70.4)	1.250 (31.8)	1.625 (41.3)	28
67	44	2.691 (68.4)	2.894 (73.5)	2.230 (56.6)	2.113 (53.7)	.875 (22.2)	1.250 (31.8)	20
68	44	2.691 (68.4)	2.894 (73.5)	2.550 (64.8)	2.770 (70.4)	1.250 (31.8)	1.625 (41.3)	28
69	48	2.691 (68.4)	2.894 (73.5)	2.230 (56.6)	2.113 (53.7)	.875 (22.2)	1.250 (31.8)	20
70	48	2.691 (68.4)	2.894 (73.5)	2.550 (64.8)	2.770 (70.4)	1.250 (31.8)	1.625 (41.3)	28
71*	12	1.811 (46.0)	2.224 (56.5)	1.844 (46.8)	1.332 (33.8)	.350 (8.9)	.625 (15.9)	10
72*	18	2.051 (52.1)	2.504 (63.6)	2.000 (50.8)	1.770 (45.0)	.625 (15.9)	.937 (23.8)	16
73*	24	2.151 (54.6)	2.674 (67.9)	2.230 (56.6)	2.116 (53.7)	.875 (22.2)	1.250 (31.8)	20
74	14	.866 (22.0)	2.134 (54.2)	1.544 (39.2)	.957 (24.3)	.125 (3.2)	.312 (7.9)	04
75	16	1.051 (26.7)	2.224 (56.5)	1.544 (39.2)	.957 (24.3)	.125 (3.2)	.312 (7.9)	04

\* Denotes Style 2

Dimensions in inches (millimeters) and are subject to change without notice.