

AS85049/82, AS85049/83 and AS85049/84 Straight, 45° and 90° Banding Backshells with Self-Locking Coupling



AS85049

B

CONNECTOR DESIGNATOR:

A

AS50151 Series AS34001
MIL-DTL-26482 Series II
AS81703 Series III
MIL-DTL-83723 Series I and III
40M39569, DEF 5326-3, EN 2997,
EN 3646
ESC 10, ESC 11, LN 29504
NFC93422 Series HE302
PAN 6432-1, PAN 6432-2, PATT 602

Basic Part Number

M85049/82 = Straight
M85049/83 = 45°
M85049/84 = 90°

— = Detented
N = Non-Detented

Shell Size
(Table I)

Entry Size
(Table I)

M85049/82

N

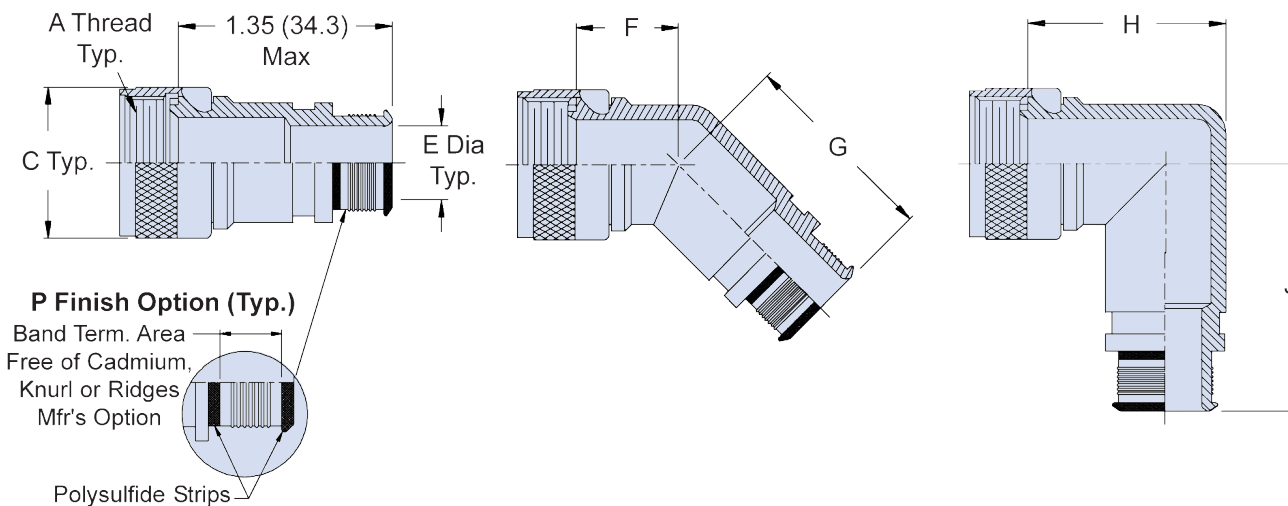
16

P

02

Finish

N = Electroless Nickel
P = Cadmium, Olive Drab over Electroless Nickel with Polysulfide Sealant Strips
W = 1,000 Hr. Cadmium Olive Drab over Electroless Nickel
X = Aluminum, Nickel Fluorocarbon Polymer
YP = Aluminum, Pure Dense Electrodeposited Aluminum with Polysulfide Sealant Strips
Z = Aluminum, Zinc-Nickel, Black
ZP = Aluminum, Zinc Nickel with Polysulfide Sealant Strips



APPLICATION NOTES

1. Assembly identified with manufacturer's name and part number, space permitting.
2. For complete dimensions, see the applicable Military Specification.
3. Metric dimensions (mm) are in parentheses.
4. For use with AS85049/128 Bands.

Dimensions in inches (millimeters) and are subject to change without notice.



AS85049/82, AS85049/83 and AS85049/84 Straight, 45° and 90° Banding Backshells with Self-Locking Coupling

B

TABLE I: Shell Size, Cable Entry and Backshell Dimensions

Shell Size	A Thread Class 2B	C Dia Max	E Dia Cable Entry Size 02 ±.010 (0.30)	E Dia Cable Entry Size 03 ±.010 (0.30)	F Max	G Max	H Max	J Max
08	.500 - 20 UNF	.886 (22.4)	N/A	.250 (6.4)	.870 (22.1)	1.160 (29.5)	1.188 (30.2)	1.417 (36.0)
10	.625 - 24 UNEF	1.010 (25.7)	N/A	.312 (7.9)	.890 (22.6)	1.180 (30.0)	1.281 (32.5)	1.480 (37.6)
12	.750 - 20 UNEF	1.130 (28.7)	.312 (7.9)	.438 (11.1)	.920 (23.4)	1.200 (30.5)	1.406 (35.7)	1.542 (39.2)
14	.875 - 20 UNEF	1.260 (32.0)	.438 (11.1)	.562 (14.3)	.940 (23.9)	1.220 (31.0)	1.531 (38.9)	1.605 (40.8)
16	1.000 - 20 UNEF	1.386 (35.1)	.500 (12.7)	.625 (15.9)	.960 (24.4)	1.250 (31.8)	1.656 (42.1)	1.667 (42.3)
18	1.062 - 18 UNEF	1.510 (38.4)	.625 (15.9)	.750 (19.1)	.980 (24.9)	1.260 (32.0)	1.718 (43.6)	1.730 (43.9)
20	1.188 - 18 UNEF	1.636 (41.4)	.625 (15.9)	.812 (20.6)	1.00 (25.4)	1.290 (32.8)	1.844 (46.8)	1.792 (45.5)
22	1.313 - 18 UNEF	1.760 (44.7)	.688 (17.5)	.938 (23.8)	1.030 (26.2)	1.310 (33.3)	1.938 (49.2)	1.850 (47.0)
24	1.438 - 18 UNEF	1.886 (47.8)	.750 (19.1)	1.000 (25.4)	1.050 (26.7)	1.340 (34.0)	2.093 (53.2)	1.917 (48.7)
28	1.750 - 18 UNS	2.136 (54.1)	.875 (22.2)	1.125 (28.6)	1.100 (27.9)	1.380 (35.1)	2.531 (64.3)	2.042 (51.9)

Dimensions in inches (millimeters) and are subject to change without notice.