

# AS85049/82, AS85049/83 and AS85049/84 Straight, 45° and 90° Banding Backshells with Self-Locking Coupling



AS85049

B

### CONNECTOR DESIGNATOR:

**A**

AS50151 Series AS34001  
MIL-DTL-26482 Series II  
AS81703 Series III  
MIL-DTL-83723 Series I and III  
40M39569, DEF 5326-3, EN 2997,  
EN 3646  
ESC 10, ESC 11, LN 29504  
NFC93422 Series HE302  
PAN 6432-1, PAN 6432-2, PATT 602

### Basic Part Number

**M85049/82** = Straight  
**M85049/83** = 45°  
**M85049/84** = 90°

— = Detented  
**N** = Non-Detented

**Shell Size**  
(Table I)

**Entry Size**  
(Table I)

**M85049/82**

**N**

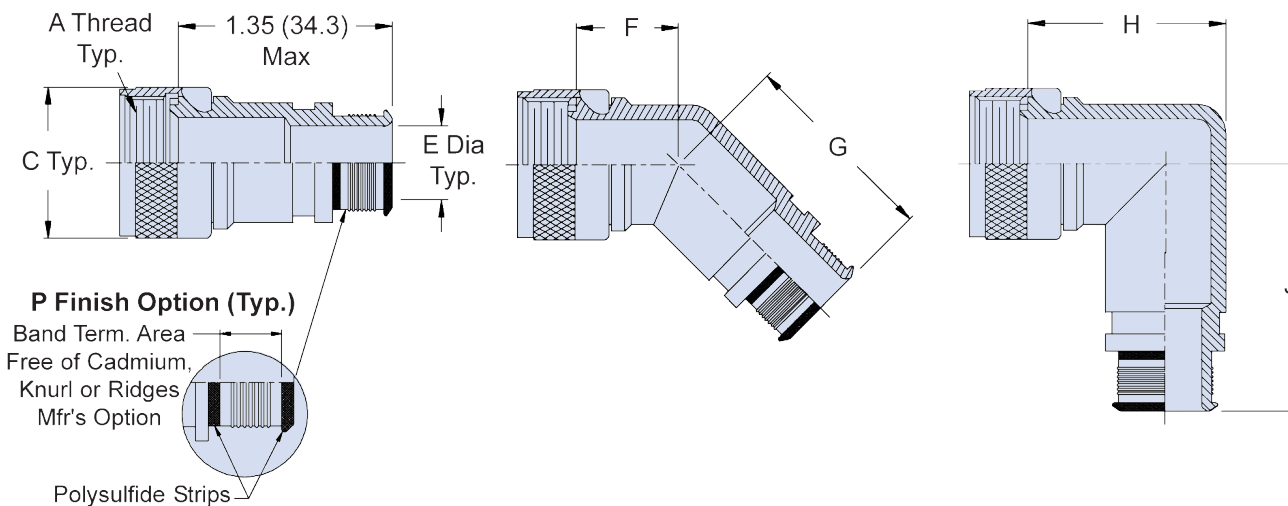
**16**

**P**

**02**

### Finish

**N** = Electroless Nickel  
**P** = Cadmium, Olive Drab over Electroless Nickel with Polysulfide Sealant Strips  
**W** = 1,000 Hr. Cadmium Olive Drab over Electroless Nickel  
**X** = Aluminum, Nickel Fluorocarbon Polymer  
**YP** = Aluminum, Pure Dense Electrodeposited Aluminum with Polysulfide Sealant Strips  
**Z** = Aluminum, Zinc-Nickel, Black  
**ZP** = Aluminum, Zinc Nickel with Polysulfide Sealant Strips



### APPLICATION NOTES

1. Assembly identified with manufacturer's name and part number, space permitting.
2. For complete dimensions, see the applicable Military Specification.
3. Metric dimensions (mm) are in parentheses.
4. For use with AS85049/128 Bands.

Dimensions in inches (millimeters) and are subject to change without notice.



## AS85049/82, AS85049/83 and AS85049/84 Straight, 45° and 90° Banding Backshells with Self-Locking Coupling

**TABLE I: Shell Size, Cable Entry and Backshell Dimensions**

| Shell Size | A Thread Class 2B | C Dia Max    | E Dia Cable Entry Size 02<br>±.010 (0.30) | E Dia Cable Entry Size 03<br>±.010 (0.30) | F Max        | G Max        | H Max        | J Max        |
|------------|-------------------|--------------|---|---|--------------|--------------|--------------|--------------|
| 08         | .500 - 20 UNF     | .886 (22.4)  | N/A                                       | .250 (6.4)                                | .870 (22.1)  | 1.160 (29.5) | 1.188 (30.2) | 1.417 (36.0) |
| 10         | .625 - 24 UNEF    | 1.010 (25.7) | N/A                                       | .312 (7.9)                                | .890 (22.6)  | 1.180 (30.0) | 1.281 (32.5) | 1.480 (37.6) |
| 12         | .750 - 20 UNEF    | 1.130 (28.7) | .312 (7.9)                                | .438 (11.1)                               | .920 (23.4)  | 1.200 (30.5) | 1.406 (35.7) | 1.542 (39.2) |
| 14         | .875 - 20 UNEF    | 1.260 (32.0) | .438 (11.1)                               | .562 (14.3)                               | .940 (23.9)  | 1.220 (31.0) | 1.531 (38.9) | 1.605 (40.8) |
| 16         | 1.000 - 20 UNEF   | 1.386 (35.1) | .500 (12.7)                               | .625 (15.9)                               | .960 (24.4)  | 1.250 (31.8) | 1.656 (42.1) | 1.667 (42.3) |
| 18         | 1.062 - 18 UNEF   | 1.510 (38.4) | .625 (15.9)                               | .750 (19.1)                               | .980 (24.9)  | 1.260 (32.0) | 1.718 (43.6) | 1.730 (43.9) |
| 20         | 1.188 - 18 UNEF   | 1.636 (41.4) | .625 (15.9)                               | .812 (20.6)                               | 1.00 (25.4)  | 1.290 (32.8) | 1.844 (46.8) | 1.792 (45.5) |
| 22         | 1.313 - 18 UNEF   | 1.760 (44.7) | .688 (17.5)                               | .938 (23.8)                               | 1.030 (26.2) | 1.310 (33.3) | 1.938 (49.2) | 1.850 (47.0) |
| 24         | 1.438 - 18 UNEF   | 1.886 (47.8) | .750 (19.1)                               | 1.000 (25.4)                              | 1.050 (26.7) | 1.340 (34.0) | 2.093 (53.2) | 1.917 (48.7) |
| 28         | 1.750 - 18 UNS    | 2.136 (54.1) | .875 (22.2)                               | 1.125 (28.6)                              | 1.100 (27.9) | 1.380 (35.1) | 2.531 (64.3) | 2.042 (51.9) |

Dimensions in inches (millimeters) and are subject to change without notice.