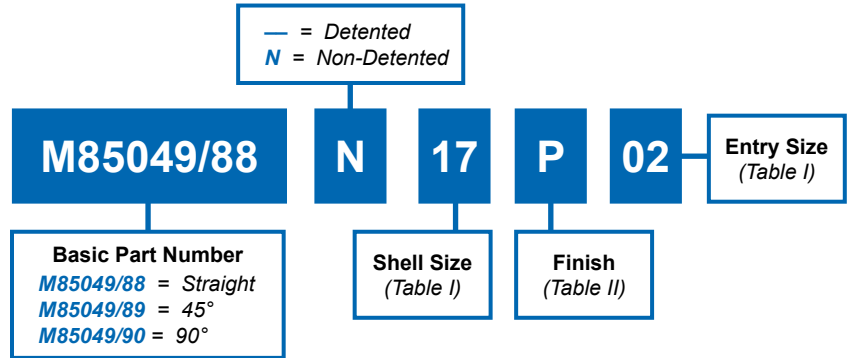


# AS85049/88, AS85049/89 and AS85049/90 Straight, 45° and 90° Banding Backshells with Self-Locking Coupling

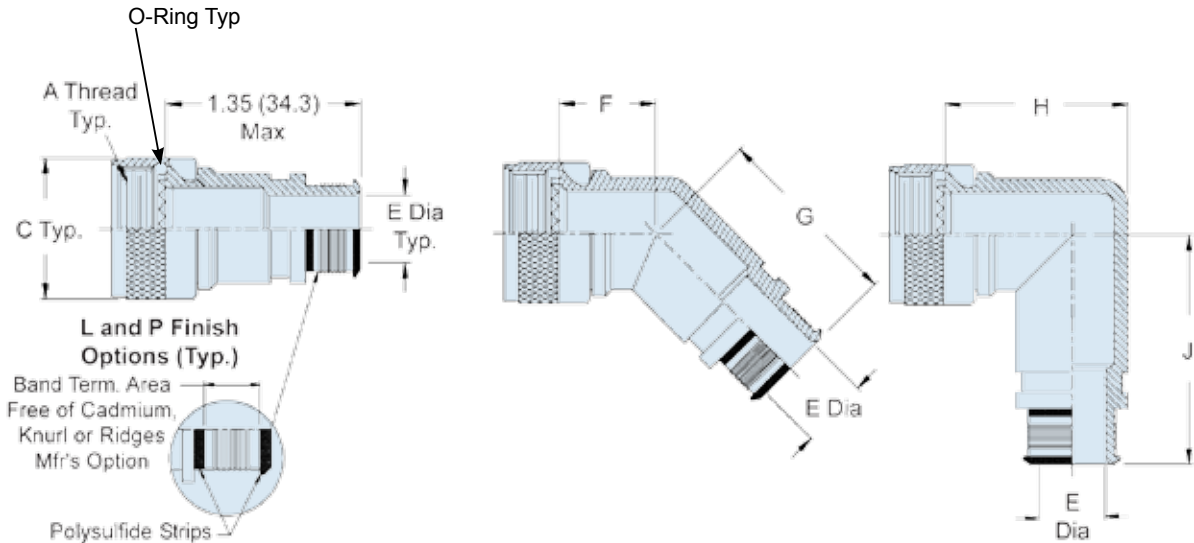


AS85049

| CONNECTOR DESIGNATOR: |   |
|-----------------------|---|
| <b>H</b>              | MIL-DTL-38999 Series III and IV<br>EN3645 |



B



| APPLICATION NOTES  |
|--|
| 1. Assembly identified with manufacturer's name and part number, space permitting. |
| 2. For complete dimensions, see the applicable Military Specification.             |
| 3. Metric dimensions (mm) are in parentheses.                                      |
| 4. For use with AS85049/128 Bands.   |

Dimensions in inches (millimeters) and are subject to change without notice.



## AS85049/88, AS85049/89 and AS85049/90 Straight, 45° and 90° Banding Backshells with Self-Locking Coupling

**TABLE I: Shell Size, Cable Entry and Backshell Dimensions**

| Shell Size | A Thread Class 2B | C Dia Max    | E Dia Cable Entry Size 02<br>±.010 (0.30) | E Dia Cable Entry Size 03<br>±.010 (0.30) | F Max        | G Max        | H Max        | J Max        |
|------------|-------------------|--------------|---|---|--------------|--------------|--------------|--------------|
| 9          | M12 X 1 - 6H      | .860 (21.8)  | N/A                                       | .250 (6.4)                                | 1.010 (25.7) | 1.160 (29.5) | 1.375 (34.9) | 1.417 (36.0) |
| 11         | M15 X 1 - 6H      | .990 (25.1)  | N/A                                       | .312 (7.9)                                | 1.030 (26.2) | 1.190 (30.2) | 1.437 (36.5) | 1.480 (37.6) |
| 13         | M18 X 1 - 6H      | 1.160 (29.5) | .312 (7.9)                                | .438 (11.1)                               | 1.060 (26.9) | 1.210 (30.7) | 1.562 (39.7) | 1.553 (39.4) |
| 15         | M22 X 1 - 6H      | 1.280 (32.5) | .438 (11.1)                               | .562 (14.3)                               | 1.080 (27.4) | 1.240 (31.5) | 1.687 (42.8) | 1.614 (41.0) |
| 17         | M25 X 1 - 6H      | 1.410 (35.8) | .500 (12.7)                               | .625 (15.9)                               | 1.110 (28.2) | 1.260 (32.0) | 1.750 (44.5) | 1.678 (42.6) |
| 19         | M28 X 1 - 6H      | 1.520 (38.6) | .625 (15.9)                               | .750 (19.1)                               | 1.120 (28.4) | 1.270 (32.3) | 1.875 (47.6) | 1.733 (44.0) |
| 21         | M31 X 1 - 6H      | 1.640 (41.7) | .625 (15.9)                               | .812 (20.6)                               | 1.150 (29.2) | 1.300 (33.0) | 1.938 (49.2) | 1.796 (45.6) |
| 23         | M34 X 1 - 6H      | 1.770 (45.0) | .688 (17.5)                               | .938 (23.8)                               | 1.170 (29.7) | 1.330 (33.8) | 2.062 (52.4) | 1.859 (47.2) |
| 25         | M37 X 1 - 6H      | 1.890 (48.0) | .750 (19.1)                               | 1.000 (25.4)                              | 1.200 (30.5) | 1.350 (34.3) | 2.125 (54.0) | 1.919 (48.7) |

**TABLE II: Finish and Material**

| Aluminum | Composite     | Finish Description  |
|----------|---------------|---|
| G        | Not Available | Electroless Nickel (Space Grade)                              |
| N        | M             | Electroless Nickel  |
| P        | L             | Cadmium Olive Drab over Electroless Nickel, Selective Plating |
| W        | J             | Cadmium Olive Drab  |
| X        | XC            | Nickel Fluorocarbon Polymer                                   |
| YP       | YL            | Pure Dense Electrodeposited Aluminum, Selective Plating       |
| Z        | ZC            | Zinc Nickel   |
| ZP       | ZL            | Zinc Nickel, Selective Plating                                |

Dimensions in inches (millimeters) and are subject to change without notice.