

AS85049/9 and MS3188B 90° Environmental Backshell



AS85049

B

CONNECTOR DESIGNATOR:

A	AS50151 Series AS34001
	MIL-DTL-26482 Series II
	AS81703 Series III
	MIL-DTL-83723 Series I & III
	40M39569, DEF 5326-3, EN 2997
	EN 3646, ESC 10, ESC 11, LN 29504
	NFC93422 Series HE302 PAN 6432-1, PAN 6432-2, PATT 602

Basic
Part Number

Dash Number
(Table II)

M85049/9

- 21

N

Superseded
Part Number

MS3188B 21 N

Basic
Part No.

Dash
No.

Finish (Material is Aluminum Only)

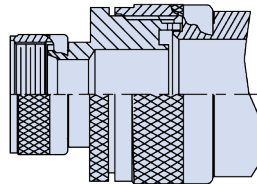
- A = Cadmium Olive Drab over Nickel
- C = Cadmium Olive Drab
- N = Electroless Nickel

Finish / Material

- B = Black Cadmium / Stainless Steel
- N = Electroless Nickel / Aluminum
- S = Passivated / Stainless Steel
- W = 1,000 Hr. Cadmium Olive Drab over Electroless Nickel / Aluminum
- X = Nickel Fluorocarbon Polymer
- Y = Pure Dense Electrodeposited Aluminum
- Z = Zinc Nickel
- XS = Nickel Fluorocarbon Polymer / Stainless Steel
- YS = Pure Dense Electrodeposited Aluminum / Stainless Steel
- ZS = Zinc Nickel, Black / Stainless Steel

APPLICATION NOTES

- For complete dimensions see the applicable Military Specification.
- Metric dimensions (mm) are in parentheses.
- When maximum cable entry is exceeded, Style 2 will be supplied.
- Cable Range is defined as the accommodation range for the wire bundle or cable. Dimensions shown are not intended for inspection criteria.
- Approximate chain lengths: Dash No. 01-12 = 5.0 (127.0); Dash No. 13-29 = 6.0 (152.4).



STYLE 2

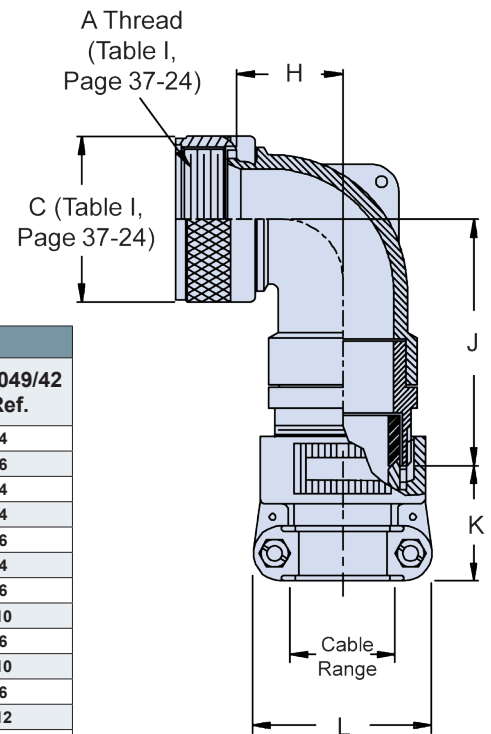


TABLE II: Dash Number and Cable Range (Continued on Page B-26)

Dash No.	Shell Size	H Max	J Max	K Ref.	L Max	Cable Range Min	Cable Range Max	M85049/42 Ref.
1	03	.761 (19.3)	1.862 (47.3)	1.027 (26.1)	.957 (24.3)	.125 (3.2)	.250 (6.4)	4
2	03	1.511 (38.4)	1.382 (35.1)	1.027 (26.1)	1.145 (29.1)	.250 (6.4)	.437 (11.1)	6
3	08	.666 (16.9)	1.262 (32.1)	1.027 (26.1)	.957 (24.3)	.125 (3.2)	.250 (6.4)	4
4	10	.761 (19.3)	1.982 (50.3)	1.027 (26.1)	.957 (24.3)	.125 (3.2)	.312 (7.9)	4
5	10	.761 (19.3)	1.382 (35.1)	1.027 (26.1)	1.145 (29.1)	.250 (6.4)	.375 (9.5)	6
6	12	.766 (19.5)	2.002 (50.9)	1.027 (26.1)	.957 (24.3)	.125 (3.2)	.312 (7.9)	4
7	12	.766 (19.5)	2.002 (50.9)	1.027 (26.1)	1.145 (29.1)	.250 (6.4)	.437 (11.1)	6
8	12	.766 (19.5)	1.397 (35.5)	1.027 (26.1)	1.332 (33.8)	.350 (8.9)	.500 (12.7)	10
9	14	.866 (22.0)	2.072 (52.6)	1.027 (26.1)	1.145 (29.1)	.250 (6.4)	.437 (11.1)	6
10	14	.866 (22.0)	1.717 (43.6)	1.027 (26.1)	1.332 (33.8)	.350 (8.9)	.575 (14.6)	10
11	16	1.051 (26.7)	2.162 (54.9)	1.027 (26.1)	1.145 (29.1)	.250 (6.4)	.437 (11.1)	6
12	16	1.051 (26.7)	1.807 (45.9)	1.059 (26.9)	1.551 (39.4)	.500 (12.7)	.700 (17.8)	12
13	18	1.141 (29.0)	2.332 (59.2)	1.027 (26.1)	1.332 (33.8)	.350 (8.9)	.625 (15.9)	10
14	18	1.141 (29.0)	1.982 (50.3)	1.156 (29.4)	1.770 (45.0)	.625 (15.9)	.779 (19.8)	16
15	20	1.141 (29.0)	2.332 (59.2)	1.027 (26.1)	1.332 (33.8)	.350 (8.9)	.625 (15.9)	10
16	20	1.141 (29.0)	1.982 (50.3)	1.156 (29.4)	1.770 (45.0)	.625 (15.9)	.904 (23.0)	16
17	22	1.291 (32.8)	2.442 (62.0)	1.059 (26.9)	1.551 (39.4)	.500 (12.7)	.750 (19.1)	12
18	22	1.291 (32.8)	2.087 (53.0)	1.375 (34.9)	2.113 (53.7)	.875 (22.2)	1.029 (26.1)	20
19	24	1.291 (32.8)	2.442 (62.0)	1.059 (26.9)	1.551 (39.4)	.500 (12.7)	.750 (19.1)	12
20	24	1.291 (32.8)	2.087 (53.0)	1.375 (34.9)	2.113 (53.7)	.875 (22.2)	1.144 (29.1)	20
21	28	1.391 (35.3)	2.612 (66.3)	1.156 (33.7)	1.770 (45.0)	.625 (15.9)	.937 (23.8)	16

Table Continued on Page B-26

Dimensions in inches (millimeters) and are subject to change without notice.



AS85049/9 and MS3188B 90° Environmental Backshell

TABLE II: Dash Number and Cable Range (Continued From Page B-25)

Dash No.	Shell Size	H		J		K		L		Cable Range		M85049/42 Ref.
		Max		Max		Ref.		Max		Min	Max	
22	28	1.391 (35.3)		2.257 (57.3)		1.500 (38.1)		2.363 (60.0)		1.000 (25.4)	1.375 (34.9)	24
23	32	1.741 (44.2)		2.862 (72.7)		1.156 (29.4)		1.770 (45.0)		.625 (15.9)	.937 (23.8)	16
24	32	1.741 (44.2)		2.862 (72.7)		1.375 (34.9)		2.113 (53.7)		.875 (22.2)	1.250 (31.8)	20
25	32	1.741 (44.2)		2.507 (63.7)		1.781 (45.2)		2.770 (70.4)		1.250 (31.8)	1.625 (41.3)	28
26	36	1.941 (49.3)		2.832 (71.9)		1.156 (29.4)		1.770 (45.0)		.625 (15.9)	.937 (23.8)	16
27	36	1.941 (49.3)		2.832 (71.9)		1.500 (38.1)		2.363 (60.0)		1.000 (25.4)	1.375 (34.9)	24
28	36	1.941 (49.3)		2.477 (62.9)		1.830 (46.5)		3.020 (76.7)		1.437 (36.5)	1.840 (46.7)	32
29	40	2.691 (68.4)		2.832 (71.9)		1.156 (29.4)		1.770 (45.0)		.625 (15.9)	.937 (23.8)	16
30	40	2.691 (68.4)		2.832 (71.9)		1.500 (38.1)		2.363 (60.0)		1.000 (25.4)	1.375 (34.9)	24
31	40	2.691 (68.4)		2.477 (62.9)		1.830 (46.5)		3.020 (76.7)		1.437 (36.5)	1.875 (47.6)	32
32	44	2.691 (68.4)		2.832 (71.9)		1.156 (29.4)		1.770 (45.0)		.625 (15.9)	.937 (23.8)	16
33	44	2.691 (68.4)		2.832 (71.9)		1.500 (38.1)		2.363 (60.0)		1.000 (25.4)	1.375 (34.9)	24
34	44	2.691 (68.4)		2.477 (62.9)		1.830 (46.5)		3.020 (76.7)		1.437 (36.5)	1.875 (47.6)	32
35	48	2.691 (68.4)		2.832 (71.9)		1.156 (29.4)		1.770 (45.0)		.625 (15.9)	.937 (23.8)	16
36	48	2.691 (68.4)		2.832 (71.9)		1.500 (38.1)		2.363 (60.0)		1.000 (25.4)	1.375 (34.9)	24
37	48	2.691 (68.4)		2.477 (62.9)		1.830 (46.5)		3.020 (76.7)		1.437 (36.5)	1.875 (47.6)	32
38	61	1.291 (32.8)		2.442 (62.0)		1.059 (26.9)		1.551 (39.4)		.500 (12.7)	.750 (19.1)	12
39	61	1.291 (32.8)		2.087 (53.0)		1.375 (34.9)		2.113 (53.7)		.875 (22.2)	1.184 (30.1)	20
40	16	1.051 (26.7)		2.162 (54.9)		1.027 (26.1)		1.332 (33.8)		.350 (8.9)	.625 (15.9)	10
41	18	1.141 (29.0)		2.332 (59.2)		1.027 (26.1)		.957 (24.3)		.125 (3.2)	.312 (7.9)	4
42	18	1.141 (29.0)		2.332 (59.2)		1.027 (26.1)		1.145 (29.1)		.250 (6.4)	.437 (11.1)	6
43	20	1.141 (29.0)		2.332 (59.2)		1.027 (26.1)		1.145 (29.1)		.250 (6.4)	.437 (11.1)	6
44	22	1.291 (32.8)		2.442 (62.0)		1.027 (26.1)		.957 (24.3)		.125 (3.2)	.312 (7.9)	4
45	22	1.291 (32.8)		2.442 (62.0)		1.027 (26.1)		1.145 (29.1)		.250 (6.4)	.437 (11.1)	6
46	24	1.291 (32.8)		2.442 (62.0)		1.027 (26.1)		1.332 (33.8)		.350 (8.9)	.625 (15.9)	10
47	36	1.941 (49.3)		2.832 (71.9)		1.059 (26.9)		1.551 (39.4)		.500 (12.7)	.750 (19.1)	12
48	40	1.941 (49.3)		2.832 (71.9)		1.059 (26.9)		1.551 (39.4)		.500 (12.7)	.750 (19.1)	12
49*	10	1.516 (38.5)		2.002 (50.9)		1.027 (26.1)		1.145 (29.1)		.250 (6.4)	.437 (11.1)	6
50*	14	1.891 (48.0)		2.332 (59.2)		1.059 (26.9)		1.551 (39.4)		.500 (12.7)	.750 (19.1)	12
51*	16	2.041 (51.8)		2.442 (62.0)		1.156 (29.4)		1.770 (45.0)		.625 (15.9)	.937 (23.8)	16
52	18	1.141 (29.0)		2.332 (59.2)		1.059 (26.9)		1.551 (39.4)		.500 (12.7)	.750 (19.1)	12
53	61	1.291 (32.8)		2.087 (53.0)		1.156 (29.4)		1.770 (45.0)		.625 (15.9)	.937 (23.8)	16
54	20	1.141 (29.0)		2.332 (59.2)		1.059 (26.9)		1.551 (39.4)		.500 (12.7)	.750 (19.1)	12
55*	20	2.141 (54.4)		2.612 (66.3)		1.375 (34.9)		2.113 (53.7)		.875 (22.2)	1.250 (31.8)	20
56	22	1.291 (32.8)		2.442 (62.0)		1.027 (26.1)		1.332 (33.8)		.350 (8.9)	.625 (15.9)	10
57	22	1.291 (32.8)		2.442 (62.0)		1.156 (29.4)		1.770 (45.0)		.625 (15.9)	.937 (23.8)	16
58*	22	2.141 (54.4)		2.612 (66.3)		1.375 (34.9)		2.113 (53.7)		.875 (22.2)	1.250 (31.8)	20
59	24	1.291 (32.8)		2.442 (62.0)		1.156 (29.4)		1.770 (45.0)		.625 (15.9)	.937 (23.8)	16
60	28	1.391 (35.3)		2.612 (66.3)		1.059 (26.9)		1.551 (39.4)		.500 (12.7)	.750 (19.1)	12
61	28	1.391 (35.3)		2.612 (66.3)		1.375 (34.9)		2.113 (53.7)		.875 (22.2)	1.250 (31.8)	20
62	32	1.741 (44.2)		2.862 (72.7)		1.500 (38.1)		2.363 (60.0)		1.000 (25.4)	1.375 (34.9)	24
63	36	1.941 (49.3)		2.832 (71.9)		1.375 (34.9)		2.113 (53.7)		.875 (22.2)	1.250 (31.8)	20
64	36	1.941 (49.3)		2.832 (71.9)		1.781 (45.2)		2.770 (70.4)		1.250 (31.8)	1.625 (41.3)	28
65	40	2.691 (68.4)		2.832 (71.9)		1.375 (34.9)		2.113 (53.7)		.875 (22.2)	1.250 (31.8)	20
66	40	2.691 (68.4)		2.832 (71.9)		1.781 (45.2)		2.770 (70.4)		1.250 (31.8)	1.625 (41.3)	28
67	44	2.691 (68.4)		2.832 (71.9)		1.375 (34.9)		2.113 (53.7)		.875 (22.2)	1.250 (31.8)	20
68	44	2.691 (68.4)		2.832 (71.9)		1.781 (45.2)		2.770 (70.4)		1.250 (31.8)	1.625 (41.3)	28
69	48	2.691 (68.4)		2.832 (71.9)		1.375 (34.9)		2.113 (53.7)		.875 (22.2)	1.250 (31.8)	20
70	48	2.691 (68.4)		2.832 (71.9)		1.781 (45.2)		2.770 (70.4)		1.250 (31.8)	1.625 (41.3)	28
71*	12	1.811 (46.0)		2.162 (54.9)		1.027 (26.1)		1.332 (33.8)		.350 (8.9)	.625 (15.9)	10
72*	18	2.051 (52.1)		2.442 (62.0)		1.156 (29.4)		1.770 (45.0)		.625 (15.9)	.937 (23.8)	16
73*	24	2.151 (54.6)		2.612 (66.3)		1.375 (34.9)		2.116 (53.7)		.875 (22.2)	1.250 (31.8)	20
74	14	.866 (22.0)		2.072 (52.6)		1.027 (26.1)		.957 (24.3)		.125 (3.2)	.312 (7.9)	4
75	16	1.051 (26.7)		2.162 (54.9)		1.027 (26.1)		.957 (24.3)		.125 (3.2)	.312 (7.9)	4

Dimensions in inches (millimeters) and are subject to change without notice.