

AS85049/23 and MS3189C 45° EMI/RFI Non-Environmental Backshell



AS85049

B

| CONNECTOR DESIGNATOR: | |
|-----------------------|---|
| A | AS50151 Series AS34001 |
| | MIL-DTL-26482 Series II |
| | AS81703 Series III |
| | MIL-DTL-83723 Series I & III |
| | 40M39569, DEF 5326-3, EN 2997 |
| | EN 3646, ESC 10, ESC 11, LN 29504 |
| | NFC93422 Series HE302 PAN 6432-1, PAN 6432-2, PATT 602 |

Basic Part Number Dash Number (Table II)

M85049/23 - 21 N

Superseded Part Number

MS3189C 21 N

Basic Part No.

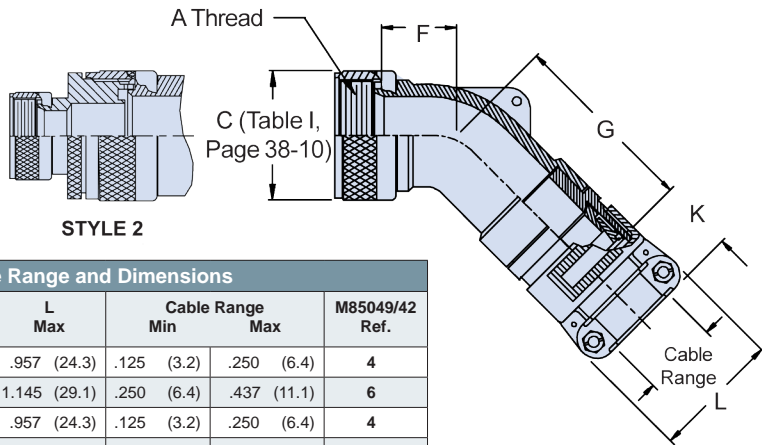
Dash No.

Finish
(Material is Aluminum Only)

A = Cadmium Olive Drab over Nickel
C = Cadmium Olive Drab
N = Electroless Nickel

Finish / Material

B = Black Cadmium / Stainless Steel
N = Electroless Nickel / Aluminum
S = Passivated / Stainless Steel
W = 1,000 Hr. Cadmium Olive Drab over Electroless Nickel / Aluminum
X = Aluminum, Nickel Fluorocarbon Polymer
Z = Aluminum, Zinc-Nickel, Black
XS = Stainless Steel, Nickel Fluorocarbon Polymer
ZS = Stainless Steel, Zinc-Nickel, Black



| TABLE II: Dash Number, Cable Range and Dimensions | | | | | | | | |
|---|------------|--------------|--------------|--------------|--------------|-------------|--------------|----------------|
| Dash No. | Shell Size | F Max | G Max | K Ref. | L Max | Cable Range | | M85049/42 Ref. |
| | | | | | | Min | Max | |
| 1 | 3 | .687 (17.4) | 1.915 (48.6) | 1.027 (26.1) | .957 (24.3) | .125 (3.2) | .250 (6.4) | 4 |
| 2 | 3 | 1.500 (38.1) | 2.035 (51.7) | 1.027 (26.1) | 1.145 (29.1) | .250 (6.4) | .437 (11.1) | 6 |
| 3 | 8 | .625 (15.9) | 1.307 (33.2) | 1.027 (26.1) | .957 (24.3) | .125 (3.2) | .250 (6.4) | 4 |
| 4 | 10 | .687 (17.4) | 1.975 (50.2) | 1.027 (26.1) | .957 (24.3) | .125 (3.2) | .312 (7.9) | 4 |
| 5 | 10 | .687 (17.4) | 1.370 (34.8) | 1.027 (26.1) | 1.145 (29.1) | .250 (6.4) | .375 (9.5) | 6 |
| 6 | 12 | .750 (19.1) | 2.035 (51.7) | 1.027 (26.1) | .957 (24.3) | .125 (3.2) | .312 (7.9) | 4 |
| 7 | 12 | .750 (19.1) | 2.035 (51.7) | 1.027 (26.1) | 1.145 (29.1) | .250 (6.4) | .437 (11.1) | 6 |
| 8 | 12 | .750 (19.1) | 2.035 (51.7) | 1.027 (26.1) | 1.332 (33.8) | .350 (8.9) | .500 (12.7) | 10 |
| 9 | 14 | .812 (20.6) | 2.125 (54.0) | 1.027 (26.1) | 1.145 (29.1) | .250 (6.4) | .437 (11.1) | 6 |
| 10 | 14 | .812 (20.6) | 1.780 (45.2) | 1.027 (26.1) | 1.332 (33.8) | .350 (8.9) | .575 (14.6) | 10 |
| 11 | 16 | .906 (23.0) | 2.235 (56.8) | 1.027 (26.1) | 1.145 (29.1) | .250 (6.4) | .437 (11.1) | 6 |
| 12 | 16 | .906 (23.0) | 1.875 (47.6) | 1.059 (26.9) | 1.551 (39.4) | .500 (12.7) | .700 (17.8) | 12 |
| 13 | 18 | 1.093 (27.8) | 2.425 (61.6) | 1.027 (26.1) | 1.332 (33.8) | .350 (8.9) | .625 (15.9) | 10 |
| 14 | 18 | 1.093 (27.8) | 2.062 (52.4) | 1.156 (29.4) | 1.770 (45.0) | .625 (15.9) | .779 (19.8) | 16 |
| 15 | 20 | 1.093 (27.8) | 2.425 (61.6) | 1.027 (26.1) | 1.332 (33.8) | .350 (8.9) | .625 (15.9) | 10 |
| 16 | 20 | 1.093 (27.8) | 2.062 (52.4) | 1.156 (29.4) | 1.770 (45.0) | .625 (15.9) | .904 (23.0) | 16 |
| 17 | 22 | 1.188 (30.2) | 2.575 (65.4) | 1.059 (26.9) | 1.551 (39.4) | .500 (12.7) | .750 (19.1) | 12 |
| 18 | 22 | 1.188 (30.2) | 2.218 (56.3) | 1.375 (34.9) | 2.113 (53.7) | .875 (22.2) | 1.029 (26.1) | 20 |
| 19 | 24 | 1.188 (30.2) | 2.575 (65.4) | 1.069 (27.2) | 1.551 (39.4) | .500 (12.7) | .750 (19.1) | 12 |
| 20 | 24 | 1.188 (30.2) | 2.218 (56.3) | 1.375 (34.9) | 2.113 (53.7) | .875 (22.2) | 1.144 (29.1) | 20 |
| 21 | 28 | 1.312 (33.3) | 2.625 (66.7) | 1.156 (33.7) | 1.770 (45.0) | .625 (15.9) | .937 (23.8) | 16 |

Continued on Page B-44

- APPLICATION NOTES

 1. For complete dimensions see the applicable Military Specification.
 2. When maximum cable entry is exceeded, Style 2 will be supplied.
 3. Metric dimensions (mm) are in parentheses.
 4. Cable Range is defined as the accommodation range for the wire bundle or cable. Dimensions shown are not intended for inspection criteria.

Dimensions in inches (millimeters) and are subject to change without notice.



AS85049/23 and MS3189C 45° EMI/RFI Non-Environmental Backshell

TABLE II: Continued from Page B-43

| Dash No. | Shell Size | F Max | G Max | K Ref. | L Max | Cable Range | | M85049/42 Ref. |
|----------|------------|--------------|--------------|--------------|--------------|--------------|--------------|----------------|
| | | | | | | Min | Max | |
| 22 | 28 | 1.312 (33.3) | 2.281 (57.9) | 1.500 (38.1) | 2.363 (60.0) | 1.000 (25.4) | 1.375 (34.9) | 24 |
| 23 | 32 | 1.375 (34.9) | 2.725 (69.2) | 1.156 (29.4) | 1.770 (45.0) | .625 (15.9) | .937 (23.8) | 16 |
| 24 | 32 | 1.375 (34.9) | 2.725 (69.2) | 1.375 (34.9) | 2.113 (53.7) | .875 (22.2) | 1.250 (31.8) | 20 |
| 25 | 32 | 1.375 (34.9) | 2.500 (63.5) | 1.781 (45.2) | 2.770 (70.4) | 1.250 (31.8) | 1.625 (41.3) | 28 |
| 26 | 36 | 1.406 (35.7) | 2.815 (71.5) | 1.156 (29.4) | 1.770 (45.0) | .625 (15.9) | .937 (23.8) | 16 |
| 27 | 36 | 1.406 (35.7) | 2.815 (71.5) | 1.500 (38.1) | 2.363 (60.0) | 1.000 (25.4) | 1.375 (34.9) | 24 |
| 28 | 36 | 1.406 (35.7) | 2.469 (62.7) | 1.830 (46.5) | 3.020 (76.7) | 1.437 (36.5) | 1.840 (46.7) | 32 |
| 29 | 40 | 2.156 (54.8) | 2.815 (71.5) | 1.156 (29.4) | 1.770 (45.0) | .625 (15.9) | .937 (23.8) | 16 |
| 30 | 40 | 2.156 (54.8) | 2.815 (71.5) | 1.500 (38.1) | 2.363 (60.0) | 1.000 (25.4) | 1.375 (34.9) | 24 |
| 31 | 40 | 2.156 (54.8) | 2.469 (62.7) | 1.830 (46.5) | 3.020 (76.7) | 1.437 (36.5) | 1.875 (47.6) | 32 |
| 32 | 44 | 2.156 (54.8) | 2.815 (71.5) | 1.156 (29.4) | 1.770 (45.0) | .625 (15.9) | .937 (23.8) | 16 |
| 33 | 44 | 2.156 (54.8) | 2.815 (71.5) | 1.500 (38.1) | 2.363 (60.0) | 1.000 (25.4) | 1.375 (34.9) | 24 |
| 34 | 44 | 2.156 (54.8) | 2.469 (62.7) | 1.830 (46.5) | 3.020 (76.7) | 1.437 (36.5) | 1.875 (47.6) | 32 |
| 35 | 48 | 2.156 (54.8) | 2.815 (71.5) | 1.156 (29.4) | 1.770 (45.0) | .625 (15.9) | .937 (23.8) | 16 |
| 36 | 48 | 2.156 (54.8) | 2.815 (71.5) | 1.500 (38.1) | 2.363 (60.0) | 1.000 (25.4) | 1.375 (34.9) | 24 |
| 37 | 48 | 2.156 (54.8) | 2.469 (62.7) | 1.830 (46.5) | 3.020 (76.7) | 1.437 (36.5) | 1.875 (47.6) | 32 |
| 38 | 61 | 1.188 (30.2) | 2.575 (65.4) | 1.059 (26.9) | 1.551 (39.4) | .500 (12.7) | .750 (19.1) | 12 |
| 39 | 61 | 1.188 (30.2) | 2.218 (56.3) | 1.375 (34.9) | 2.113 (53.7) | .875 (22.2) | 1.184 (30.1) | 20 |
| 40 | 16 | .906 (23.0) | 2.235 (56.8) | 1.027 (26.1) | 1.332 (33.8) | .350 (8.9) | .625 (15.9) | 10 |
| 41 | 18 | 1.093 (27.8) | 2.425 (61.6) | 1.027 (26.1) | .957 (24.3) | .125 (3.2) | .312 (7.9) | 4 |
| 42 | 18 | 1.093 (27.8) | 2.425 (61.6) | 1.027 (26.1) | 1.145 (29.1) | .250 (6.4) | .437 (11.1) | 6 |
| 43 | 20 | 1.093 (27.8) | 2.425 (61.6) | 1.027 (26.1) | 1.145 (29.1) | .250 (6.4) | .437 (11.1) | 6 |
| 44 | 22 | 1.188 (30.2) | 2.575 (65.4) | 1.027 (26.1) | .957 (24.3) | .125 (3.2) | .312 (7.9) | 4 |
| 45 | 22 | 1.188 (30.2) | 2.575 (65.4) | 1.027 (26.1) | 1.145 (29.1) | .250 (6.4) | .437 (11.1) | 6 |
| 46 | 24 | 1.188 (30.2) | 2.575 (65.4) | 1.027 (26.1) | 1.332 (33.8) | .350 (8.9) | .625 (15.9) | 10 |
| 47 | 36 | 1.406 (35.7) | 2.815 (71.5) | 1.059 (26.9) | 1.551 (39.4) | .500 (12.7) | .750 (19.1) | 12 |
| 48 | 40 | 2.156 (54.8) | 2.815 (71.5) | 1.059 (26.9) | 1.551 (39.4) | .500 (12.7) | .750 (19.1) | 12 |
| 49* | 10 | 1.500 (38.1) | 2.035 (51.7) | 1.027 (26.1) | 1.145 (29.1) | .250 (6.4) | .437 (11.1) | 6 |
| 50* | 14 | 1.842 (46.8) | 2.425 (61.6) | 1.059 (26.9) | 1.551 (39.4) | .500 (12.7) | .750 (19.1) | 12 |
| 51* | 16 | 1.938 (49.2) | 2.575 (65.4) | 1.156 (29.4) | 1.770 (45.0) | .625 (15.9) | .937 (23.8) | 16 |
| 52 | 18 | 1.093 (27.8) | 2.425 (61.6) | 1.059 (26.9) | 1.551 (39.4) | .500 (12.7) | .750 (19.1) | 12 |
| 53 | 61 | 1.188 (30.2) | 2.575 (65.4) | 1.156 (29.4) | 1.770 (45.0) | .625 (15.9) | .937 (23.8) | 16 |
| 54 | 20 | 1.093 (27.8) | 2.425 (61.6) | 1.059 (26.9) | 1.551 (39.4) | .500 (12.7) | .750 (19.1) | 12 |
| 55* | 20 | 2.061 (52.3) | 2.625 (66.7) | 1.375 (34.9) | 2.113 (53.7) | .875 (22.2) | 1.250 (31.8) | 20 |
| 56 | 22 | 1.188 (30.2) | 2.575 (65.4) | 1.027 (26.1) | 1.332 (33.8) | .350 (8.9) | .625 (15.9) | 10 |
| 57 | 22 | 1.188 (30.2) | 2.575 (65.4) | 1.156 (29.4) | 1.770 (45.0) | .625 (15.9) | .937 (23.8) | 16 |
| 58* | 22 | 2.061 (52.3) | 2.625 (66.7) | 1.375 (34.9) | 2.113 (53.7) | .875 (22.2) | 1.250 (31.8) | 20 |
| 59 | 24 | 1.188 (30.2) | 2.575 (65.4) | 1.156 (29.4) | 1.770 (45.0) | .625 (15.9) | .937 (23.8) | 16 |
| 60 | 28 | 1.312 (33.3) | 2.625 (66.7) | 1.059 (26.9) | 1.551 (39.4) | .500 (12.7) | .750 (19.1) | 12 |
| 61 | 28 | 1.312 (33.3) | 2.625 (66.7) | 1.375 (34.9) | 2.113 (53.7) | .875 (22.2) | 1.250 (31.8) | 20 |
| 62 | 32 | 1.375 (34.9) | 2.725 (69.2) | 1.500 (38.1) | 2.363 (60.0) | 1.000 (25.4) | 1.375 (34.9) | 24 |
| 63 | 36 | 1.406 (35.7) | 2.815 (71.5) | 1.375 (34.9) | 2.113 (53.7) | .875 (22.2) | 1.250 (31.8) | 20 |
| 64 | 36 | 1.406 (35.7) | 2.815 (71.5) | 1.781 (45.2) | 2.770 (70.4) | 1.250 (31.8) | 1.625 (41.3) | 28 |
| 65 | 40 | 2.156 (54.8) | 2.815 (71.5) | 1.375 (34.9) | 2.113 (53.7) | .875 (22.2) | 1.250 (31.8) | 20 |
| 66 | 40 | 2.156 (54.8) | 2.815 (71.5) | 1.781 (45.2) | 2.770 (70.4) | 1.250 (31.8) | 1.625 (41.3) | 28 |
| 67 | 44 | 2.156 (54.8) | 2.815 (71.5) | 1.375 (34.9) | 2.113 (53.7) | .875 (22.2) | 1.250 (31.8) | 20 |
| 68 | 44 | 2.156 (54.8) | 2.815 (71.5) | 1.781 (45.2) | 2.770 (70.4) | 1.250 (31.8) | 1.625 (41.3) | 28 |
| 69 | 48 | 2.156 (54.8) | 2.815 (71.5) | 1.375 (34.9) | 2.113 (53.7) | .875 (22.2) | 1.250 (31.8) | 20 |
| 70 | 48 | 2.156 (54.8) | 2.815 (71.5) | 1.781 (45.2) | 2.770 (70.4) | 1.250 (31.8) | 1.625 (41.3) | 28 |
| 71* | 12 | 1.684 (42.8) | 2.236 (56.8) | 1.027 (26.1) | 1.332 (33.8) | .350 (8.9) | .625 (15.9) | 10 |
| 72* | 18 | 1.938 (49.2) | 2.575 (65.4) | 1.156 (29.4) | 1.770 (45.0) | .625 (15.9) | .937 (23.8) | 16 |
| 73* | 24 | 2.061 (52.3) | 2.625 (66.7) | 1.375 (34.9) | 2.113 (53.7) | .875 (22.2) | 1.250 (31.8) | 20 |
| 74 | 14 | .812 (20.6) | 2.125 (54.0) | 1.027 (26.1) | .957 (24.3) | .125 (3.2) | .312 (7.9) | 04 |
| 75 | 16 | .906 (23.0) | 2.235 (56.8) | 1.027 (26.1) | .957 (24.3) | .125 (3.2) | .312 (7.9) | 04 |

* Denotes Style 2

Dimensions in inches (millimeters) and are subject to change without notice.