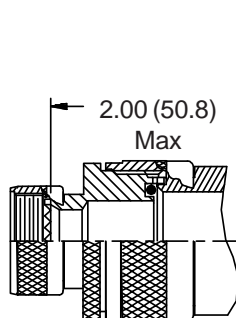
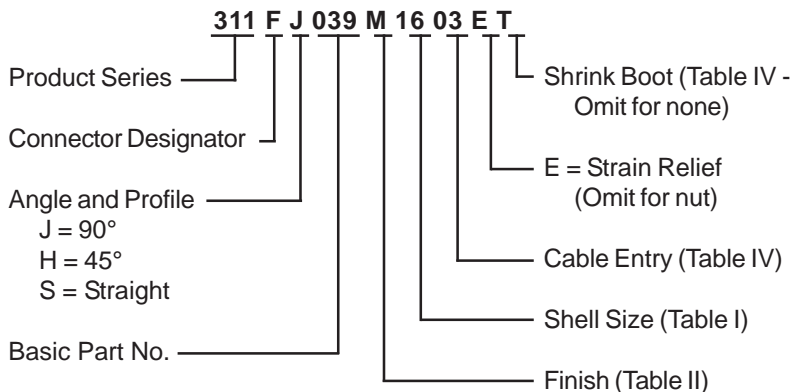
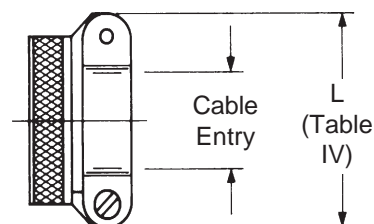
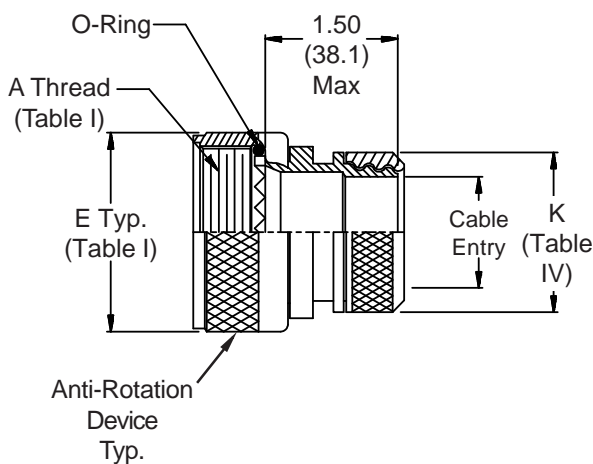


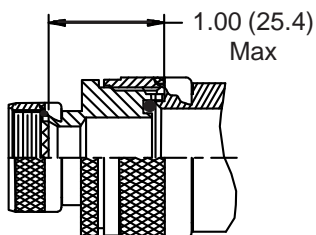
**CONNECTOR
DESIGNATORS**
A-F-H-L-S
**SELF-LOCKING
ROTATABLE
COUPLING**



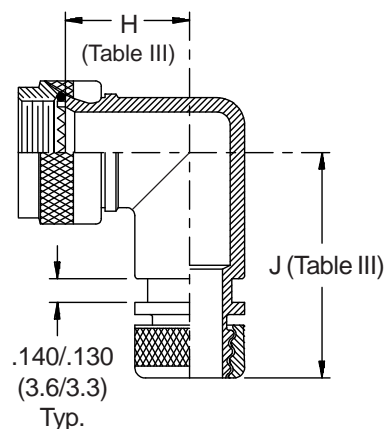
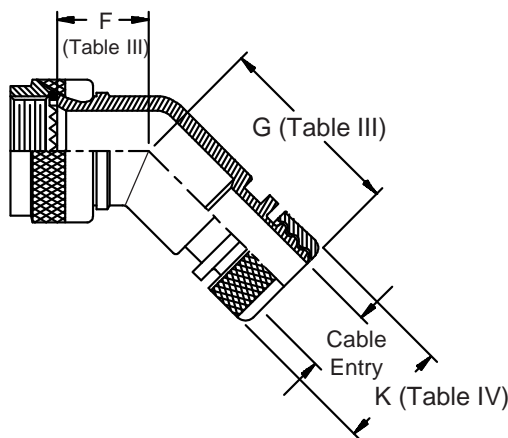
**STYLE 2
(STRAIGHT
See Note 5)**



**STYLE E
STRAIN RELIEF**



**STYLE 2
(45° & 90°
See Note 5)**



311-039
Lamp-Base Thread EMI/RFI Shrink Boot Adapter
with Strain Relief and Optional Shrink Boot
Self-Locking - Rotatable Coupling - Standard Profile



See inside back cover fold-out
 or pages 13 and 14
 for Tables I and II.

TABLE III: DIMENSIONS

SHELL SIZE		F	G	H	J
A-F-L-S	H	Max	Max	Max	Max
08	09	.795 (20.2)	1.045 (26.5)	.906 (23.0)	1.155 (29.3)
10	11	.820 (20.8)	1.075 (27.3)	.966 (24.5)	1.225 (31.1)
12	13	.844 (21.4)	1.097 (27.9)	1.026 (26.1)	1.285 (32.6)
14	15	.861 (21.9)	1.125 (28.6)	1.076 (27.3)	1.345 (34.2)
16	17	.888 (22.6)	1.145 (29.1)	1.136 (28.9)	1.405 (35.7)
18	19	.904 (23.0)	1.165 (29.6)	1.176 (29.9)	1.455 (37.0)
20	21	.929 (23.6)	1.195 (30.4)	1.236 (31.4)	1.525 (38.7)
22	23	.956 (24.3)	1.215 (30.9)	1.296 (32.9)	1.575 (40.0)
24	25	.979 (24.9)	1.245 (31.6)	1.356 (34.4)	1.645 (41.8)

TABLE IV: CABLE ENTRY/DIMENSIONS/SHRINK BOOT

Dash No.	K Max	L Max	Cable Entry Max	Shrink Boot
01	.448 (11.4)	.781 (19.8)	.125 (3.2)	770-003S111
02	.515 (13.1)	.968 (24.6)	.250 (6.4)	770-003S112
03	.640 (16.3)	1.046 (26.6)	.375 (9.5)	770-003S103
04	.765 (19.4)	1.156 (29.4)	.500 (12.7)	770-001S103
05	.920 (23.4)	1.219 (31.0)	.625 (15.9)	770-001S104
06	1.015 (25.8)	1.343 (34.1)	.750 (19.1)	770-001S104
07	1.140 (29.0)	1.469 (37.3)	.875 (22.2)	770-001S105
08	1.265 (32.1)	1.594 (40.5)	1.000 (25.4)	770-001S106
09	1.432 (36.4)	1.719 (43.7)	1.125 (28.6)	770-001S107

1. Cable Entry is defined as the accomodation range for the wire bundle or cable. Dimensions shown are not intended for inspection criteria.
2. See Shrink Boot Reference Information (page 40).
3. Metric dimensions (mm) are indicated in parentheses.
4. O-Ring not supplied with Connector Designator A.
5. When maximum entry (page 21) is exceeded, Style 2 will be supplied. Dimensions F, G, H & J will not apply. Please consult factory.

TABLE II - STANDARD FINISHES

GLENAIR SYMBOL FINISH	
B	Cadmium Plate, Olive Drab
M	Electroless Nickel
NF	Cadmium Plate, Olive Drab Over Electroless Nickel

See Inside Back Cover for Complete Finish Information and Additional Finish Options