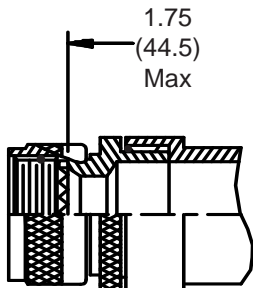
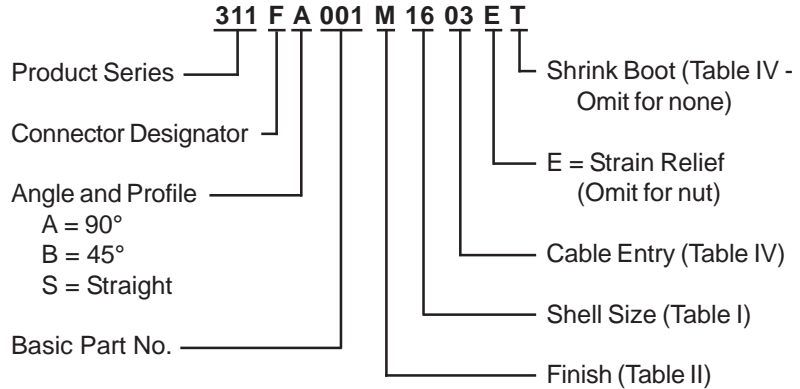


**CONNECTOR  
 DESIGNATORS**

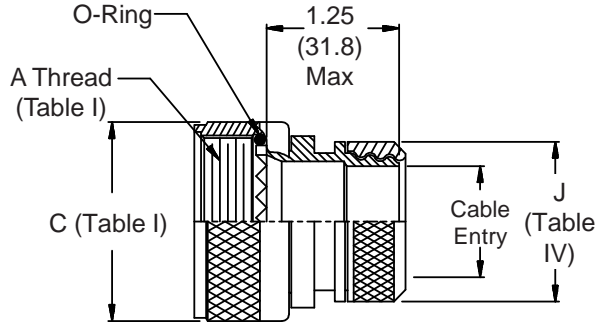
**A-F-H**

**J-L-S**

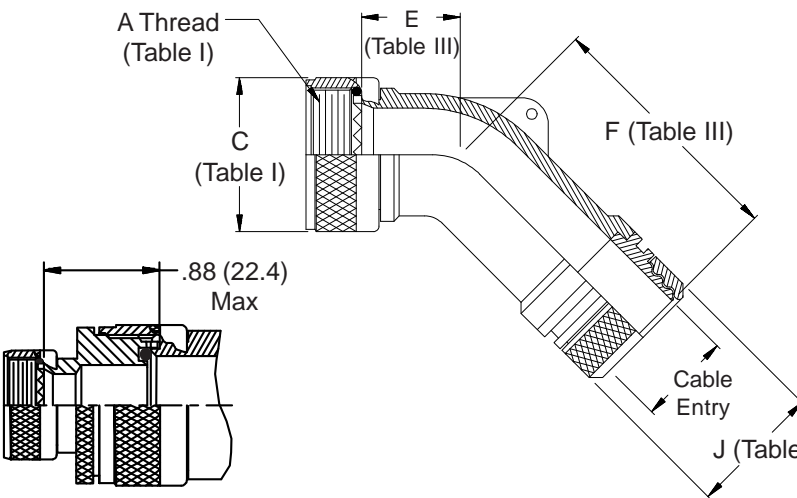
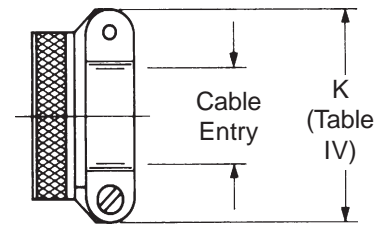
**ROTATABLE  
 COUPLING**



**STYLE 2  
 (STRAIGHT  
 See Note 5)**



**STYLE E  
 STRAIN RELIEF**



**STYLE 2  
 (45° & 90°  
 See Note 5)**



**311-001**  
**Lamp-Base Thread EMI/RFI Shrink Boot Adapter**  
 with Strain Relief and Optional Shrink Boot  
 Rotatable Coupling - Low Profile



See inside back cover fold-out  
 or pages 13 and 14  
 for unabridged Tables I and II.

TABLE III: DIMENSIONS					
SHELL SIZE		E	F	G	H
A-F-J-L-S	H	Max	Max	Max	Max
08	09	.457 (11.6)	1.630 (41.4)	.500 (12.7)	1.640 (41.7)
10	11	.520 (13.2)	1.690 (42.9)	.595 (15.1)	1.760 (44.7)
12	13	.582 (14.8)	1.750 (44.5)	.610 (15.5)	1.780 (45.2)
14	15	.645 (16.4)	1.840 (46.7)	.700 (17.8)	1.850 (47.0)
16	17	.738 (18.7)	1.950 (49.5)	.885 (22.5)	1.940 (49.3)
18	19	.926 (23.5)	2.140 (54.4)	.975 (24.8)	2.110 (53.6)
20	21	.926 (23.5)	2.140 (54.4)	.975 (24.8)	2.110 (53.6)
22	23	1.020 (25.9)	2.290 (58.2)	1.125 (28.6)	2.220 (56.4)
24	25	1.020 (25.9)	2.290 (58.2)	1.125 (28.6)	2.220 (56.4)
28		1.145 (29.1)	2.340 (59.4)	1.225 (31.1)	2.390 (60.7)
32		1.207 (30.7)	2.440 (62.0)	1.575 (40.0)	2.640 (67.1)
36		1.238 (31.4)	2.530 (64.3)	1.775 (45.1)	2.640 (67.1)

TABLE IV: CABLE ENTRY AND SHRINK BOOT					
Dash No.	J Max	K Max	Cable Entry Max	Shrink Boot	
01	.448 (11.4)	.781 (19.8)	.125 (3.2)	n/a	
02	.515 (13.1)	.968 (24.6)	.250 (6.4)	770-001S103	
03	.640 (16.3)	1.046 (26.6)	.375 (9.5)	770-001S103	
04	.765 (19.4)	1.156 (29.4)	.500 (12.7)	770-001S104	
05	.920 (23.4)	1.219 (31.0)	.625 (15.9)	770-001S104	
06	1.015 (25.8)	1.343 (34.1)	.750 (19.1)	770-001S105	
07	1.140 (29.0)	1.469 (37.3)	.875 (22.2)	770-001S106	
08	1.265 (32.1)	1.594 (40.5)	1.000 (25.4)	770-001S106	
09	1.432 (36.4)	1.719 (43.7)	1.125 (28.6)	770-001S107	
10	1.515 (38.5)	1.844 (46.8)	1.250 (31.8)	770-001S107	
11	1.640 (41.7)	n/a	1.375 (34.9)	770-001S108	
12	1.765 (44.8)	n/a	1.500 (38.1)	770-001S108	
13	2.015 (51.2)	n/a	1.750 (44.5)	770-001S108	

1. Cable Entry is defined as the accomodation range for the wire bundle or cable. Dimensions shown are not intended for inspection criteria.
2. See Shrink Boot Reference Information (page 40).
3. Metric dimensions (mm) are indicated in parentheses.
4. O-Rings not supplied with Connector Designator A.
5. When maximum entry (page 21) is exceeded, Style 2 will be supplied. Dimensions E, F, G & H will not apply. Please consult factory.

TABLE II - STANDARD FINISHES	
GLENAIR SYMBOL	FINISH
B	Cadmium Plate, Olive Drab
M	Electroless Nickel
NF	Cadmium Plate, Olive Drab Over Electroless Nickel
See Inside Back Cover for Complete Finish Information and Additional Finish Options	