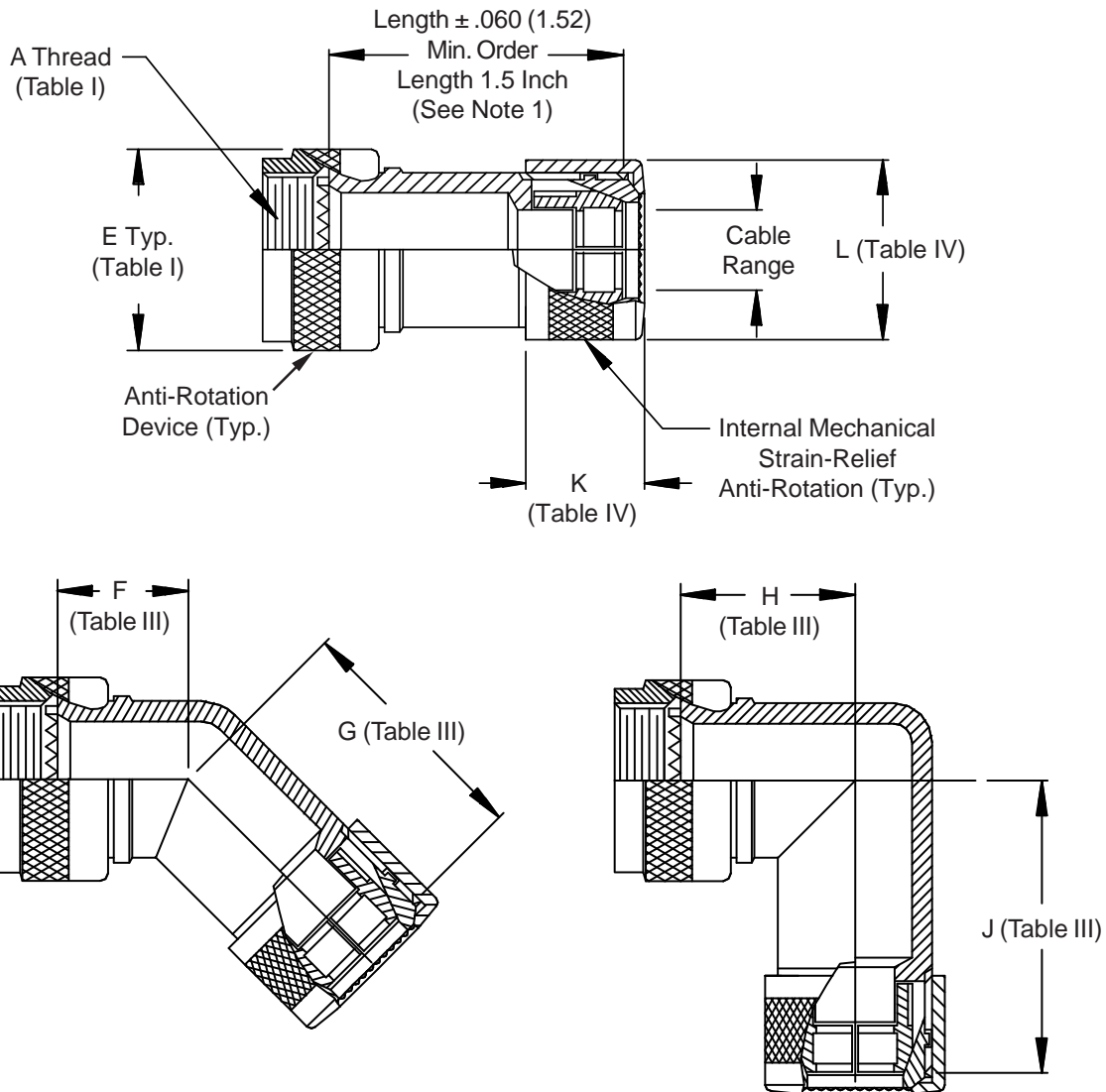
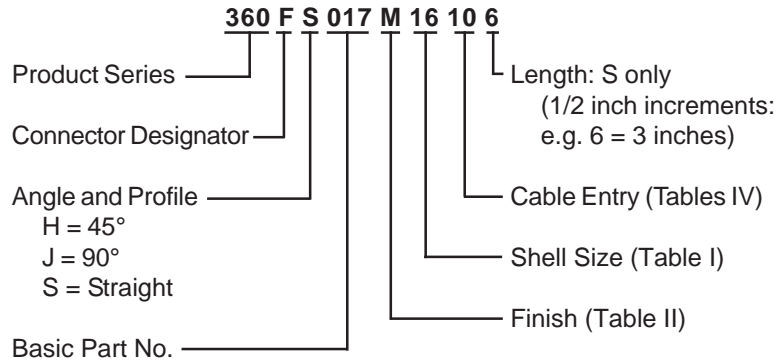


**CONNECTOR
 DESIGNATORS
 A-F-H-L-S
 SELF-LOCKING
 ROTATABLE
 COUPLING
 QWIKCLAMP®
 STRAIN RELIEF**



See inside back cover fold-out or pages 13 and 14 for unabridged Tables I and II.

TABLE III: ELBOW DIMENSIONS

| Shell Size | | F Max | G Max | H Max | J Max |
|-------------------------|----|--------------|--------------|--------------|--------------|
| Conn. Desig. A-F-L-S | H | | | | |
| 08 | 09 | .795 (20.2) | 1.390 (35.3) | .906 (23.0) | 1.500 (38.1) |
| 10 | 11 | .820 (20.8) | 1.420 (36.1) | .966 (24.5) | 1.560 (39.6) |
| 12 | 13 | .844 (21.4) | 1.440 (36.6) | 1.026 (26.1) | 1.620 (41.1) |
| 14 | 15 | .861 (21.9) | 1.470 (37.3) | 1.076 (27.3) | 1.690 (42.9) |
| 16 | 17 | .888 (22.6) | 1.490 (37.8) | 1.136 (28.9) | 1.750 (44.5) |
| 18 | 19 | .904 (23.0) | 1.500 (38.1) | 1.176 (29.9) | 1.770 (45.0) |
| 20 | 21 | .929 (23.6) | 1.520 (38.6) | 1.236 (31.4) | 1.830 (46.5) |
| 22 | 23 | .956 (24.3) | 1.560 (39.6) | 1.296 (32.9) | 1.910 (48.5) |
| 24 | 25 | .979 (24.9) | 1.590 (40.4) | 1.356 (34.4) | 1.980 (50.3) |
| 28 | | 1.197 (30.4) | 1.760 (44.7) | 1.636 (41.6) | 2.220 (56.4) |
| 32 | | 1.280 (32.5) | 1.800 (45.7) | 1.780 (45.2) | 2.310 (58.7) |
| 36 | | 1.294 (32.9) | 1.850 (47.0) | 1.876 (47.7) | 2.420 (61.5) |
| 40 | | 1.340 (34.0) | 1.890 (48.0) | 1.986 (50.4) | 2.530 (64.3) |
| 44 | | 1.360 (34.5) | 1.940 (49.3) | 2.235 (56.8) | 2.650 (67.3) |

TABLE IV: CABLE ENTRY

| Dash No. | K Max | L Max | Cable Range | |
|-------------|-------------|--------------|--------------|--------------|
| | | | Min | Max |
| 08 | .530 (13.5) | .720 (18.3) | .128 (3.3) | .250 (6.4) |
| 12 | .710 (18.0) | .910 (23.1) | .233 (5.9) | .375 (9.5) |
| 16 | .720 (18.3) | 1.090 (27.7) | .358 (9.1) | .500 (12.7) |
| 20 | .720 (18.3) | 1.220 (31.0) | .482 (12.2) | .625 (15.9) |
| 24 | .660 (16.8) | 1.340 (34.0) | .545 (13.8) | .750 (19.1) |
| 28 | .790 (20.1) | 1.530 (38.9) | .670 (17.0) | .875 (22.2) |
| 32 | .870 (22.1) | 1.720 (43.7) | .795 (20.2) | 1.000 (25.4) |
| 36 | .830 (21.1) | 1.850 (47.0) | .889 (22.6) | 1.125 (28.6) |
| 40 | .820 (20.8) | 1.970 (50.0) | 1.014 (25.8) | 1.250 (31.8) |
| 44 | .910 (23.1) | 2.090 (53.1) | 1.155 (29.3) | 1.375 (34.9) |
| 48 | .900 (22.9) | 2.280 (57.9) | 1.280 (32.5) | 1.500 (38.1) |

TABLE II: STANDARD FINISHES

| GLENAIR SYMBOL | FINISH |
|-------------------|--|
| B | Cadmium Plate, Olive Drab |
| C | Anodize, Black |
| G | Hard Coat, Anodic |
| M | Electroless Nickel |
| NF | Cadmium Plate, Olive Drab Over Electroless Nickel |

See Inside Back Cover
for Additional Finish Options

1. Consult factory for shorter lengths on straight backshells.
2. Metric dimensions (mm) are indicated in parentheses.
3. Cable range is defined as the accommodations range for the wire bundle or cable.

Dimensions shown are not intended for inspection criteria.