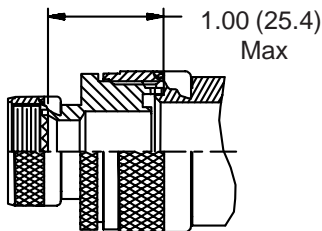
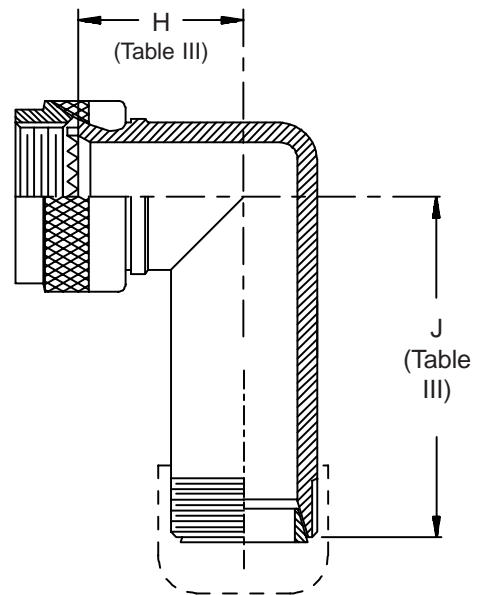
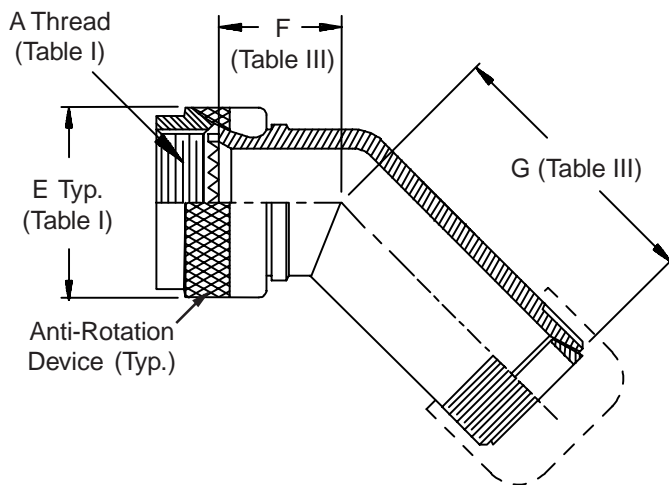
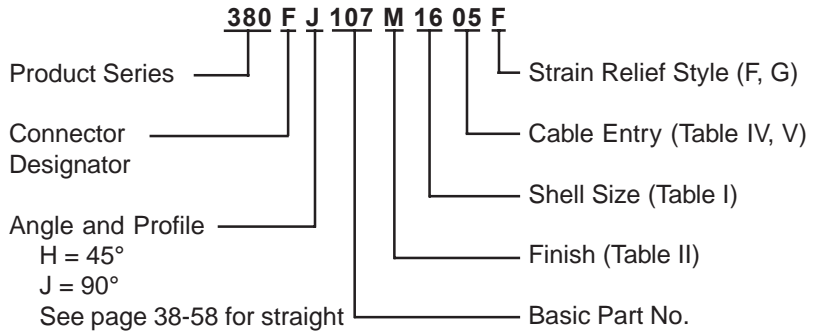


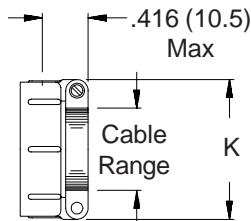
**CONNECTOR  
 DESIGNATORS  
 A-F-H-L-S  
 SELF-LOCKING  
 ROTATABLE  
 COUPLING**

**TYPE D INDIVIDUAL  
 OR OVERALL  
 SHIELD TERMINATION**

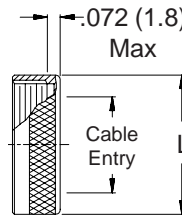


**STYLE 2**  
 (See Note 1)

**STYLE F**  
 Light Duty  
 (Table IV)



**STYLE G**  
 Light Duty  
 (Table V)



**380-107**  
**EMI/RFI Non-Environmental Backshell**  
with Strain Relief  
Type D - Self-Locking - Rotatable Coupling - Standard Profile



See inside back cover fold-out or pages 13 and 14 for unabridged Tables I and II.

| TABLE III: ELBOW DIMENSIONS |    |              |              |              |              |  |
|-----------------------------|----|--------------|--------------|--------------|--------------|--|
| Shell Size                  |    | F<br>Max     | G<br>Max     | H<br>Max     | J<br>Max     |  |
| Conn. Desig.                | H  |              |              |              |              |  |
| A-F-L-S                     | H  |              |              |              |              |  |
| 08                          | 09 | .795 (20.2)  | .760 (19.3)  | .906 (23.0)  | .860 (21.8)  |  |
| 10                          | 11 | .820 (20.8)  | .790 (20.1)  | .966 (24.5)  | .930 (23.6)  |  |
| 12                          | 13 | .844 (21.4)  | .810 (20.6)  | 1.026 (26.1) | .990 (25.1)  |  |
| 14                          | 15 | .861 (21.9)  | .840 (21.3)  | 1.076 (27.3) | 1.050 (26.7) |  |
| 16                          | 17 | .888 (22.6)  | .860 (21.8)  | 1.136 (28.9) | 1.110 (28.2) |  |
| 18                          | 19 | .904 (23.0)  | .870 (22.1)  | 1.176 (29.9) | 1.160 (29.5) |  |
| 20                          | 21 | .929 (23.6)  | .890 (22.6)  | 1.236 (31.4) | 1.230 (31.2) |  |
| 22                          | 23 | .956 (24.3)  | .930 (23.6)  | 1.296 (32.9) | 1.280 (32.5) |  |
| 24                          | 25 | .979 (24.9)  | .960 (24.4)  | 1.356 (34.4) | 1.350 (34.3) |  |
| 28                          |    | 1.197 (30.4) | 1.130 (28.7) | 1.636 (41.6) | 1.590 (40.4) |  |
| 32                          |    | 1.248 (31.7) | 1.170 (29.7) | 1.766 (44.9) | 1.680 (42.7) |  |
| 36                          |    | 1.294 (32.9) | 1.220 (31.0) | 1.876 (47.7) | 1.790 (45.5) |  |

| TABLE II: STANDARD FINISHES                         |   |
|---|---|
| GLENAIR SYMBOL                                      | FINISH  |
| B   | Cadmium Plate, Olive Drab                         |
| M   | Electroless Nickel                                |
| NF  | Cadmium Plate, Olive Drab Over Electroless Nickel |
| See Inside Back Cover for Additional Finish Options |   |

| TABLE IV: CABLE ENTRY |              |              |              |
|-----------------------|--------------|--------------|--------------|
| Dash No.              | K Max        | Cable Range  |              |
|                       |              | Min          | Max          |
| 02                    | .968 (24.6)  | .125 (3.2)   | .250 (6.4)   |
| 03                    | 1.046 (26.6) | .250 (6.4)   | .375 (9.5)   |
| 04                    | 1.156 (29.4) | .312 (7.9)   | .500 (12.7)  |
| 05                    | 1.218 (30.9) | .437 (11.1)  | .625 (15.9)  |
| 06                    | 1.343 (34.1) | .562 (14.3)  | .750 (19.1)  |
| 07                    | 1.468 (37.3) | .687 (17.4)  | .875 (22.2)  |
| 08                    | 1.593 (40.5) | .812 (20.6)  | 1.000 (25.4) |
| 10                    | 1.843 (46.8) | 1.062 (27.0) | 1.250 (31.8) |

| TABLE V: CABLE ENTRY |              |                 |
|----------------------|--------------|-----------------|
| Dash No.             | L Max        | Cable Entry Max |
| 01                   | .656 (16.7)  | .125 (3.2)      |
| 02                   | .781 (19.8)  | .250 (6.4)      |
| 03                   | .906 (23.0)  | .375 (9.5)      |
| 04                   | 1.031 (26.2) | .500 (12.7)     |
| 05                   | 1.156 (29.4) | .625 (15.9)     |
| 06                   | 1.281 (32.5) | .750 (19.1)     |
| 07                   | 1.406 (35.7) | .875 (22.2)     |
| 08                   | 1.531 (38.9) | 1.000 (25.4)    |
| 09                   | 1.656 (42.1) | 1.125 (28.6)    |
| 10                   | 1.781 (45.2) | 1.250 (31.8)    |

1. Metric dimensions (mm) are indicated in parentheses.
2. Cable range is defined as the accommodations range for the wire bundle or cable. Dimensions shown are not intended for inspection criteria.
3. When maximum cable entry (page 21) is exceeded, Style 2 will be supplied. Dimensions F, G, H and J will not apply. Please consult factory.