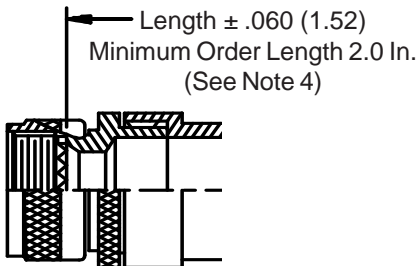
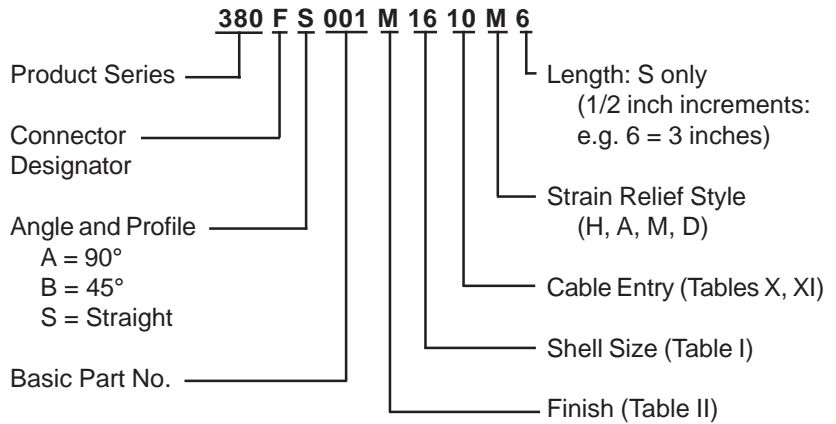
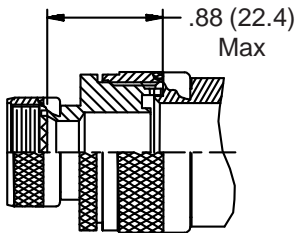


380-001
EMI/RFI Non-Environmental Backshell
with Strain Relief
Type A - Rotatable Coupling - Low Profile

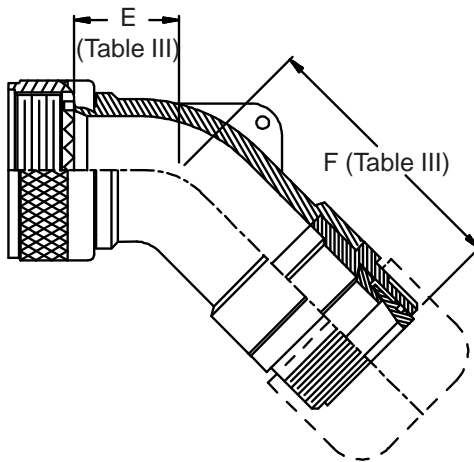
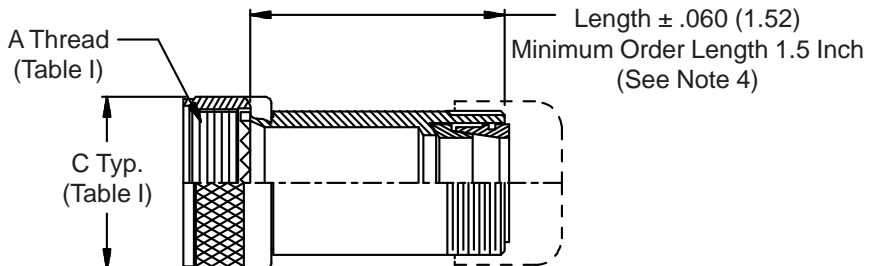
**CONNECTOR
 DESIGNATOR
 A-F-H-L-S
 ROTATABLE
 COUPLING
 TYPE A OVERALL
 SHIELD TERMINATION**



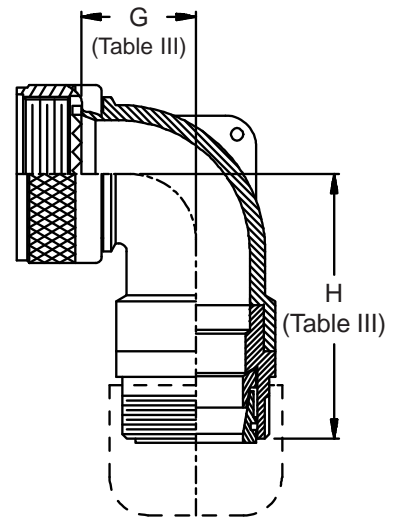
**STYLE 2
 (STRAIGHT
 See Note 1)**



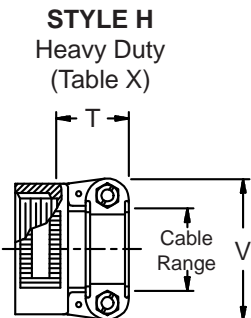
**STYLE 2
 (45° & 90°
 See Note 1)**



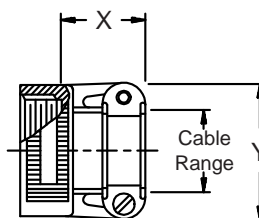
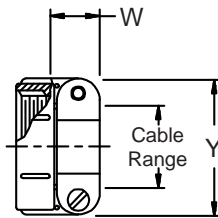
**STYLE A
 Medium Duty
 (Table XI)**



**STYLE D
 Medium Duty
 (Table XI)**



**STYLE H
 Heavy Duty
 (Table X)**



**STYLE M
 Medium Duty
 (Table XI)**

