



Series 970 PowerTrip™ Connectors and Accessories Accessories

380-105 EMI/RFI Backshell (Non-Environmental)

380P*105 EMI/RFI BACKSHELL



EMI/RFI backshell features ground rings for cable braid shield termination. Spin coupling with anti-decoupling ratchet. Splined connector interface. Heavy duty saddle clamp. Aluminum or stainless steel. Stainless steel telescoping clamp screws. Meets environmental, electrical and mechanical requirements of AS85049 Category 3A Heavy Duty. Assembly procedure conforms to Glenair Type F shield terminations.

MATERIALS AND FINISHES

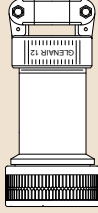
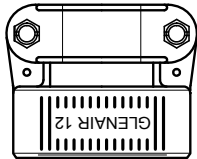
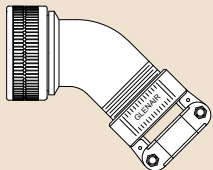
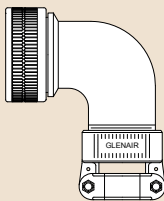
Adapters, crimp rings, follower, coupling nut: aluminum or stainless steel. See *How To Order* for finish options.

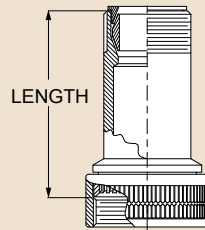
Hardware: stainless steel

INSTALLATION TORQUE

Shell Size	Recommended Installation Torque Inch-Pounds ± 5
18	116
20, 24	136
28, 32, 36	148
40	164

HOW TO ORDER

SERIES	SHELL MATERIAL / FINISH	SHELL SIZE	STRAIN RELIEF CODE	LENGTH CODE																																																																																																
380PS105 Straight Exit 	ME Aluminum / Electroless Nickel RoHS Compliant NF Aluminum / Cadmium with Olive Drab Chromate ZR Aluminum / Zinc-Nickel with Non-Reflective Black Chromate RoHS Compliant MT Aluminum / Nickel-PTFE RoHS Compliant Z1 Stainless Steel / Passivated RoHS Compliant	18 20 24 28 32 36 40	 Saddle Clamp <table border="1"> <thead> <tr> <th rowspan="3">Code</th> <th colspan="4">Cable Diameter</th> </tr> <tr> <th colspan="2">Min.</th> <th colspan="2">Max.</th> </tr> <tr> <th>In.</th> <th>mm.</th> <th>In.</th> <th>mm.</th> </tr> </thead> <tbody> <tr> <td>06H</td> <td>.250</td> <td>6.4</td> <td>.437</td> <td>11.1</td> </tr> <tr> <td>08H</td> <td>.312</td> <td>7.9</td> <td>.562</td> <td>14.3</td> </tr> <tr> <td>10H</td> <td>.350</td> <td>8.9</td> <td>.625</td> <td>15.9</td> </tr> <tr> <td>12H</td> <td>.500</td> <td>12.7</td> <td>.750</td> <td>19.1</td> </tr> <tr> <td>16H</td> <td>.625</td> <td>15.9</td> <td>.937</td> <td>23.8</td> </tr> <tr> <td>20H</td> <td>.875</td> <td>22.2</td> <td>1.250</td> <td>31.8</td> </tr> <tr> <td>24H</td> <td>1.000</td> <td>25.4</td> <td>1.375</td> <td>34.9</td> </tr> <tr> <td>28H</td> <td>1.250</td> <td>31.8</td> <td>1.625</td> <td>41.3</td> </tr> <tr> <td>32H</td> <td>1.437</td> <td>36.5</td> <td>1.875</td> <td>47.6</td> </tr> </tbody> </table>	Code	Cable Diameter				Min.		Max.		In.	mm.	In.	mm.	06H	.250	6.4	.437	11.1	08H	.312	7.9	.562	14.3	10H	.350	8.9	.625	15.9	12H	.500	12.7	.750	19.1	16H	.625	15.9	.937	23.8	20H	.875	22.2	1.250	31.8	24H	1.000	25.4	1.375	34.9	28H	1.250	31.8	1.625	41.3	32H	1.437	36.5	1.875	47.6	(Omit for 45° and 90° styles. Applies to 380PS105 straight exit only) The <i>Length Code</i> is the length of the adapter in ½ inch increments <table border="1"> <thead> <tr> <th rowspan="2">Code</th> <th colspan="2">Length</th> </tr> <tr> <th>In.</th> <th>mm.</th> </tr> </thead> <tbody> <tr> <td>6</td> <td>3.0</td> <td>76</td> </tr> <tr> <td>7</td> <td>3.5</td> <td>89</td> </tr> <tr> <td>8</td> <td>4.0</td> <td>102</td> </tr> <tr> <td>9</td> <td>4.5</td> <td>114</td> </tr> <tr> <td>10</td> <td>5.0</td> <td>127</td> </tr> <tr> <td>11</td> <td>5.5</td> <td>140</td> </tr> <tr> <td>12</td> <td>6.0</td> <td>152</td> </tr> <tr> <td>13</td> <td>6.5</td> <td>165</td> </tr> <tr> <td>14</td> <td>7.0</td> <td>178</td> </tr> <tr> <td>15</td> <td>7.5</td> <td>191</td> </tr> <tr> <td>16</td> <td>8.0</td> <td>203</td> </tr> </tbody> </table>	Code	Length		In.	mm.	6	3.0	76	7	3.5	89	8	4.0	102	9	4.5	114	10	5.0	127	11	5.5	140	12	6.0	152	13	6.5	165	14	7.0	178	15	7.5	191	16	8.0	203
					Code	Cable Diameter																																																																																														
						Min.		Max.																																																																																												
In.	mm.	In.	mm.																																																																																																	
06H	.250	6.4	.437	11.1																																																																																																
08H	.312	7.9	.562	14.3																																																																																																
10H	.350	8.9	.625	15.9																																																																																																
12H	.500	12.7	.750	19.1																																																																																																
16H	.625	15.9	.937	23.8																																																																																																
20H	.875	22.2	1.250	31.8																																																																																																
24H	1.000	25.4	1.375	34.9																																																																																																
28H	1.250	31.8	1.625	41.3																																																																																																
32H	1.437	36.5	1.875	47.6																																																																																																
Code	Length																																																																																																			
	In.	mm.																																																																																																		
6	3.0	76																																																																																																		
7	3.5	89																																																																																																		
8	4.0	102																																																																																																		
9	4.5	114																																																																																																		
10	5.0	127																																																																																																		
11	5.5	140																																																																																																		
12	6.0	152																																																																																																		
13	6.5	165																																																																																																		
14	7.0	178																																																																																																		
15	7.5	191																																																																																																		
16	8.0	203																																																																																																		
380PM105 45° Exit 																																																																																																				
380PN105 90° Exit 																																																																																																				
Sample Part Number																																																																																																				
380PS105	ZR	24	12H	8																																																																																																

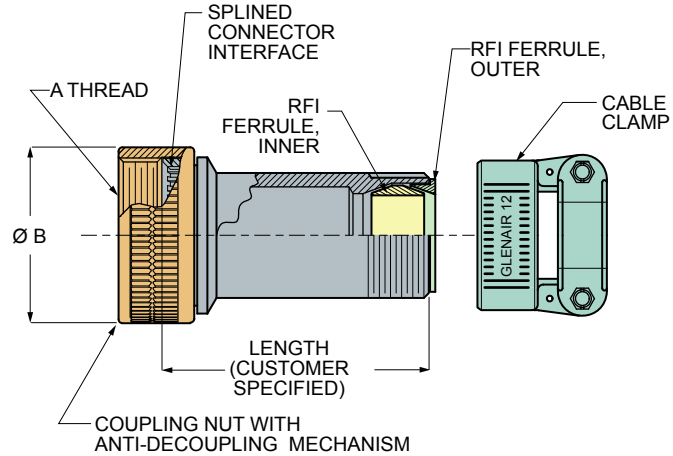


Series 970 PowerTrip™ Connectors and Accessories
Accessories
380-105 EMI/RFI Backshell (Non-Environmental)

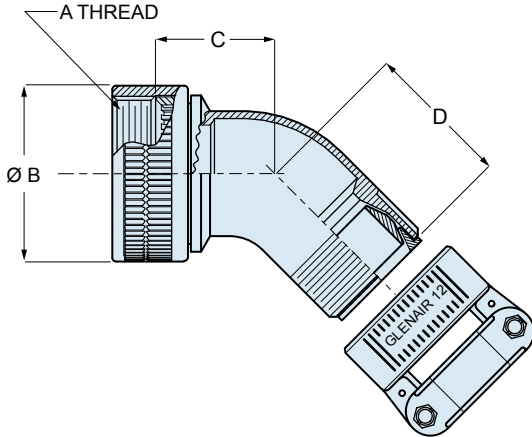


380PS105 STRAIGHT EXIT EMI/RFI BACKSHELL

Shell Size	A Thread	ø B Max.	
		In.	mm.
18	1.125-18 UNEF-2B	1.39	35.3
20	1.250-18 UNEF-2B	1.53	38.9
24	1.4375-18 UNEF-2B	1.72	43.7
28	1.8125-16 UN-2B	2.13	54.1
32	2.0625-16 UNS-2B	2.35	59.7
36	2.250-16 UN-2B	2.59	65.8
40	2.500-16 UN-2B	2.87	70.6

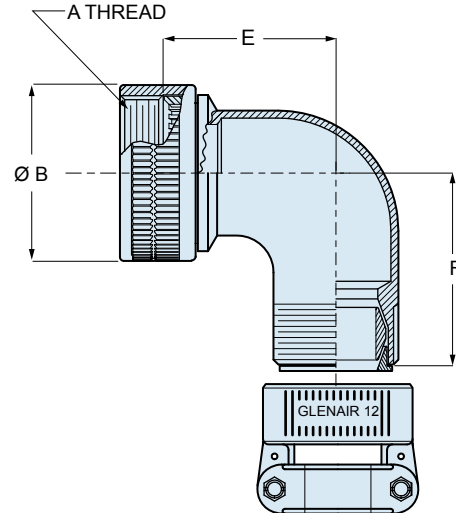


380PM105 45° EXIT DIMENSIONS



Shell Size	A Thread Class 2B	ø B Max.		C Max.		D Max.	
		In.	mm.	In.	mm.	In.	mm.
18	1.125-18 UNEF	1.39	35.3	1.250	31.8	1.156	29.4
20	1.250-18 UNEF	1.53	38.9	1.312	33.3	1.219	31.0
24	1.4375-18 UNEF	1.72	43.7	1.406	35.7	1.312	33.3
28	1.8125-16 UN	2.13	54.1	1.500	38.1	1.625	41.3
32	2.0625-16 UNS	2.35	59.7	1.675	42.5	1.945	49.4
36	2.250-16 UN	2.59	65.8	1.799	45.7	2.069	52.6
40	2.500-16 UN	2.87	70.6	1.861	47.3	2.131	54.1

380PN105 90° EXIT



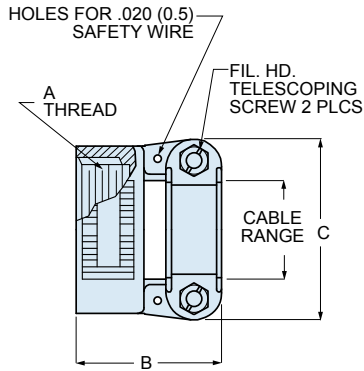
Shell Size	A Thread Class 2B	ø B Max.		E Max.		F Max.	
		In.	mm.	In.	mm.	In.	mm.
18	1.125-18 UNEF	1.39	35.3	1.906	48.4	1.812	46.0
20	1.250-18 UNEF	1.53	38.9	2.031	51.6	1.938	49.2
24	1.4375-18 UNEF	1.72	43.7	2.281	57.9	2.188	55.6
28	1.8125-16 UN	2.13	54.1	2.531	64.3	2.625	66.7
32	2.0625-16 UNS	2.35	59.7	2.625	66.7	2.895	73.5
36	2.250-16 UN	2.59	65.8	2.875	73.0	3.145	79.9
40	2.500-16 UN	2.87	70.6	3.025	76.8	3.295	83.7



Accessories

380P*105 EMI/RFI Backshell (Non-Environmental)

SADDLE CLAMP DIMENSIONS



Clamp Size	Cable Range				A Thread Class 2B	B Max.		C Max.	
	Min.		Max.			In.	mm.	In.	mm.
	In.	mm.	In.	mm.					
06H	.250	6.4	.437	11.1	.750-20UNEF	1.301	33.04	1.145	29.1
08H	.312	7.9	.562	14.3	.875-20UNEF	1.301	33.04	1.332	33.8
10H	.350	8.9	.625	15.9	1.000-20UNEF	1.301	33.04	1.332	33.8
12H	.500	12.7	.750	19.1	1.1875-18UNEF	1.332	33.83	1.551	39.4
16H	.625	15.9	.937	23.8	1.4375-18UNEF	1.426	36.22	1.770	45.0
20H	.875	22.2	1.250	31.8	1.750-18UNS	1.613	40.97	2.113	53.7
24H	1.000	25.4	1.375	34.9	2.000-18UNS	1.645	41.78	2.363	60.0
28H	1.250	31.8	1.625	41.3	2.250-16UN	1.920	48.77	2.770	70.4
32H	1.437	36.5	1.875	47.6	2.500-16UN	1.920	48.77	3.020	76.7

ALTERNATE CONFIGURATION FOR LARGE CABLES

If the cable range exceeds the inside diameter of the backshell shown in the table at right, the backshell will be supplied with a **transition adapter** and a second coupling nut. This style of backshell is called a **Style 2**. The transition adapter attaches to the connector. The backshell and clamp fit over the cable jacket. On straight exit backshells, the transition adapter does not affect the length. On 45° and 90° versions the transition adapter adds 1.00 inch (25.4mm) maximum to the backshell length.

Shell Size	Backshell Inside Diameter	
	In.	mm.
18	.72	18.3
20	.85	21.7
24	1.04	26.4
28	1.35	34.3
32	1.62	41.1
36	1.82	46.3
40	2.05	52.0

