

**380-001**  
**EMI/RFI Non-Environmental Backshell**  
**with Strain Relief**  
**Type A - Rotatable Coupling - Low Profile**

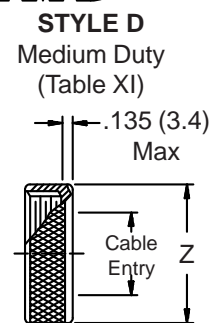
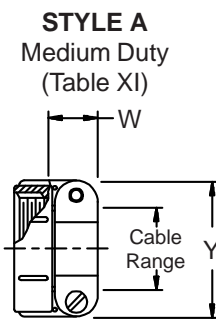
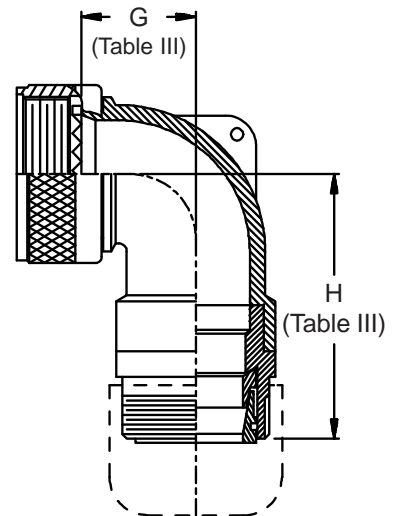
**CONNECTOR  
 DESIGNATOR**  
**A-F-H-L-S**  
**ROTATABLE  
 COUPLING**  
**TYPE A OVERALL  
 SHIELD TERMINATION**



**STYLE 2  
 (STRAIGHT  
 See Note 1)**



**STYLE 2  
 (45° & 90°  
 See Note 1)**



**380-001**  
**EMI/RFI Non-Environmental Backshell**  
**with Strain Relief**  
**Type A - Rotatable Coupling - Low Profile**



**TABLE III: ELBOW DIMENSIONS**

| Shell Size   |           | E     |        | F     |        | G     |        | H     |        |
|--------------|-----------|-------|--------|-------|--------|-------|--------|-------|--------|
| Conn. Desig. | A-F-L-S H | Max   |        | Max   |        | Max   |        | Max   |        |
| 08           | 09        | .457  | (11.6) | 1.602 | (40.7) | .500  | (12.7) | 1.612 | (40.9) |
| 10           | 11        | .520  | (13.2) | 1.662 | (42.2) | .595  | (15.1) | 1.732 | (44.0) |
| 12           | 13        | .582  | (14.8) | 1.722 | (43.7) | .610  | (15.5) | 1.752 | (44.5) |
| 14           | 15        | .645  | (16.4) | 2.062 | (52.4) | .700  | (17.8) | 2.072 | (52.6) |
| 16           | 17        | .738  | (18.7) | 2.172 | (55.2) | .885  | (22.5) | 2.162 | (54.9) |
| 18           | 19        | .926  | (23.5) | 2.362 | (60.0) | .975  | (24.8) | 2.332 | (59.2) |
| 20           | 21        | .926  | (23.5) | 2.362 | (60.0) | .975  | (24.8) | 2.332 | (59.2) |
| 22           | 23        | 1.020 | (25.9) | 2.512 | (63.8) | 1.125 | (28.6) | 2.442 | (62.0) |
| 24           | 25        | 1.020 | (25.9) | 2.512 | (63.8) | 1.125 | (28.6) | 2.442 | (62.0) |
| 28           |           | 1.145 | (29.1) | 2.562 | (65.1) | 1.225 | (31.1) | 2.612 | (66.3) |
| 32           |           | 1.207 | (30.7) | 2.662 | (67.6) | 1.575 | (40.0) | 2.862 | (72.7) |
| 36           |           | 1.238 | (31.4) | 2.752 | (69.9) | 1.775 | (45.1) | 2.862 | (72.7) |

**See inside back cover fold-out or pages 13 and 14 for unabridged Tables I and II.**

**TABLE II: STANDARD FINISHES**

| GLENAIR  |   |
|--|---|
| SYMBOL   | FINISH  |
| B  | Cadmium Plate, Olive Drab                         |
| M  | Electroless Nickel                                |
| NF   | Cadmium Plate, Olive Drab Over Electroless Nickel |
| <b>See Inside Back Cover for Additional Finish Options</b> |   |

**TABLE X: CABLE ENTRY**

| Dash No. | T Max        | V Max        | Cable Range  |              |              |              |
|----------|--------------|--------------|--------------|--------------|--------------|--------------|
|          |              |              | Min          | Max          | Min          | Max          |
| 04       | .780 (19.8)  | .957 (24.3)  | .125 (3.2)   | .312 (7.9)   | .125 (3.2)   | .312 (7.9)   |
| 06       | .780 (19.8)  | 1.145 (29.1) | .250 (6.4)   | .437 (11.1)  | .250 (6.4)   | .437 (11.1)  |
| 08       | .780 (19.8)  | 1.332 (33.8) | .312 (7.9)   | .562 (14.3)  | .312 (7.9)   | .562 (14.3)  |
| 10       | .780 (19.8)  | 1.332 (33.8) | .350 (8.9)   | .625 (15.9)  | .350 (8.9)   | .625 (15.9)  |
| 12       | .811 (20.6)  | 1.551 (39.4) | .500 (12.7)  | .750 (19.1)  | .500 (12.7)  | .750 (19.1)  |
| 16       | .905 (23.0)  | 1.770 (45.0) | .625 (15.9)  | .937 (23.8)  | .625 (15.9)  | .937 (23.8)  |
| 20       | 1.092 (27.7) | 2.113 (53.7) | .875 (22.2)  | 1.250 (31.8) | .875 (22.2)  | 1.250 (31.8) |
| 24       | 1.124 (28.5) | 2.363 (60.0) | 1.000 (25.4) | 1.375 (34.9) | 1.000 (25.4) | 1.375 (34.9) |
| 28       | 1.399 (35.5) | 2.770 (70.4) | 1.250 (31.8) | 1.625 (41.3) | 1.250 (31.8) | 1.625 (41.3) |
| 32       | 1.399 (35.5) | 3.020 (76.7) | 1.437 (36.5) | 1.875 (47.6) | 1.437 (36.5) | 1.875 (47.6) |

- When maximum cable entry (page 21) is exceeded, Style 2 will be supplied. Dimensions E, F, G and H will not apply. Please consult factory.
- Metric dimensions (mm) are indicated in parentheses.
- Cable range is defined as the accommodations range for the wire bundle or cable. Dimensions shown are not intended for inspection criteria.
- Consult factory for shorter lengths on straight backshells.

**TABLE XI: CABLE ENTRY**

| Dash No. | W Max        | X Max        | Y Max        | Z Max        | Cable Range  |              |              |              |
|----------|--------------|--------------|--------------|--------------|--------------|--------------|--------------|--------------|
|          |              |              |              |              | Min **       | Max          | Min          | Max          |
| 03*      | .437 (11.1)  | .760 (19.3)  | .843 (21.4)  | .630 (16.0)  | .156 (4.0)   | .250 (6.4)   | .156 (4.0)   | .250 (6.4)   |
| 04*      | .437 (11.1)  | .760 (19.3)  | .906 (23.0)  | .755 (19.2)  | .188 (4.8)   | .312 (7.9)   | .188 (4.8)   | .312 (7.9)   |
| 06*      | .500 (12.7)  | .760 (19.3)  | 1.093 (27.8) | .942 (23.9)  | .281 (7.1)   | .438 (11.1)  | .281 (7.1)   | .438 (11.1)  |
| 08       | .563 (14.3)  | .760 (19.3)  | 1.187 (30.1) | 1.067 (27.1) | .344 (8.7)   | .562 (14.3)  | .344 (8.7)   | .562 (14.3)  |
| 10       | .563 (14.3)  | .760 (19.3)  | 1.281 (32.5) | 1.192 (30.3) | .375 (9.5)   | .625 (15.9)  | .375 (9.5)   | .625 (15.9)  |
| 12       | .563 (14.3)  | .760 (19.3)  | 1.500 (38.1) | 1.380 (35.1) | .438 (11.1)  | .750 (19.1)  | .438 (11.1)  | .750 (19.1)  |
| 16       | .656 (16.7)  | 1.073 (27.3) | 1.719 (43.7) | 1.535 (39.0) | .562 (14.3)  | .938 (23.8)  | .562 (14.3)  | .938 (23.8)  |
| 20       | .656 (16.7)  | 1.323 (33.6) | 2.062 (52.4) | 1.848 (46.9) | .750 (19.1)  | 1.250 (31.8) | .750 (19.1)  | 1.250 (31.8) |
| 24       | .656 (16.7)  | 1.323 (33.6) | 2.312 (58.7) | 2.255 (57.3) | .781 (19.8)  | 1.375 (34.9) | .781 (19.8)  | 1.375 (34.9) |
| 28       | 1.188 (30.2) | 1.572 (39.9) | 2.719 (69.1) | 2.505 (63.6) | .969 (24.6)  | 1.625 (41.3) | .969 (24.6)  | 1.625 (41.3) |
| 32*      | 1.187 (30.1) | 1.572 (39.9) | 2.969 (75.4) | 2.755 (70.0) | 1.125 (28.6) | 1.875 (47.6) | 1.125 (28.6) | 1.875 (47.6) |
| 40*      | 1.125 (28.6) | 1.572 (39.9) | 3.531 (89.7) | 3.255 (82.7) | 1.469 (37.3) | 2.375 (60.3) | 1.469 (37.3) | 2.375 (60.3) |

\* Not available in Style M clamp.      \*\* Not Applicable Style D