

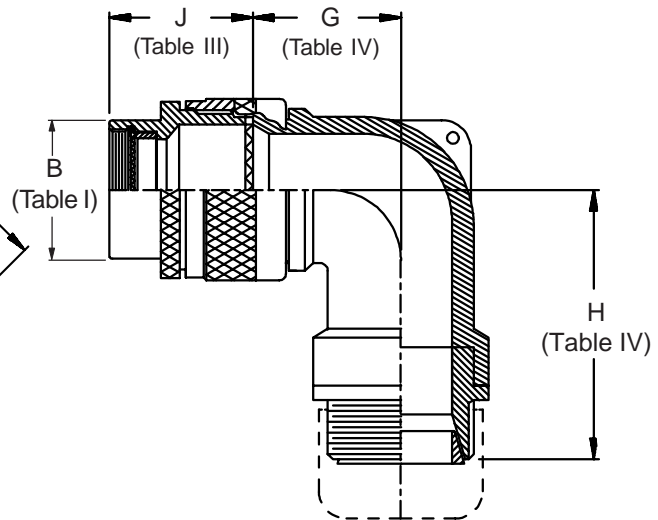
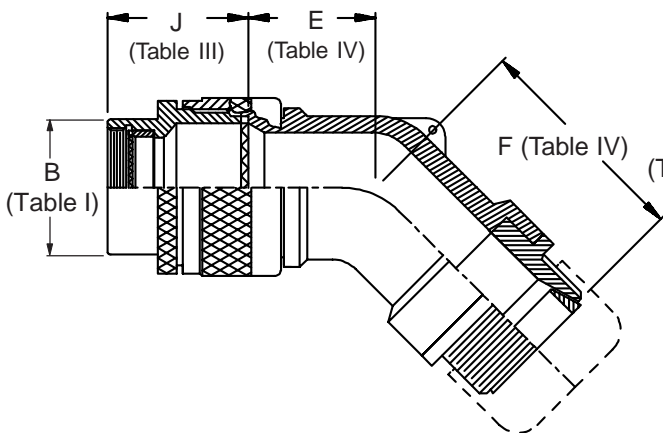
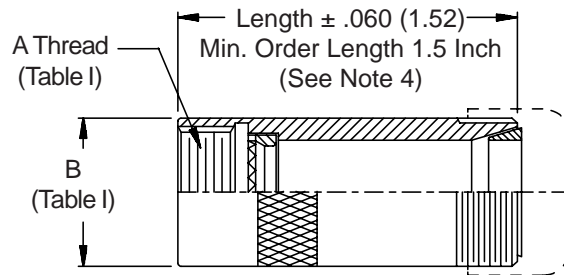
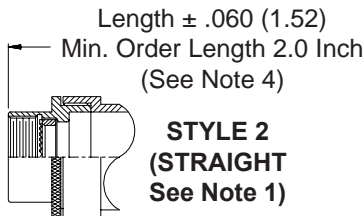
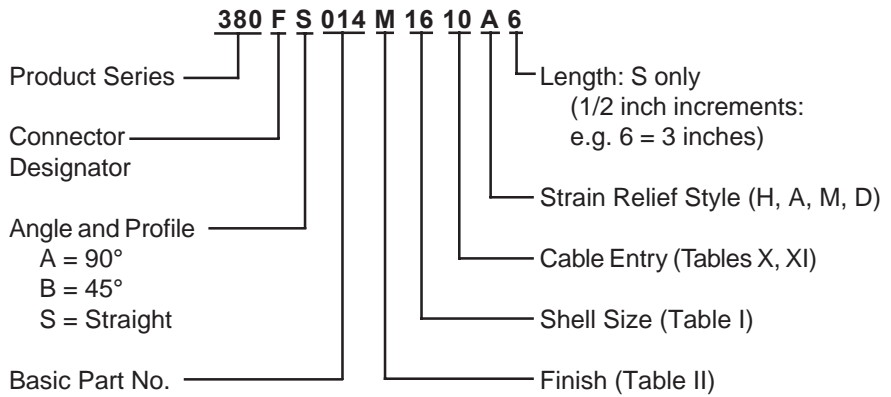
380-014
EMI/RFI Non-Environmental Backshell
 with Strain Relief
 Type D - Direct Coupling - Low Profile

**CONNECTOR
 DESIGNATORS**

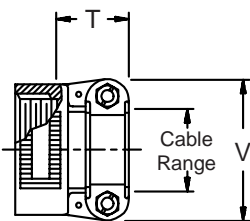
**A-B*-C-D-E-F
 G-H-J-K-L-S**

* Conn. Desig. B See Note 5
DIRECT COUPLING

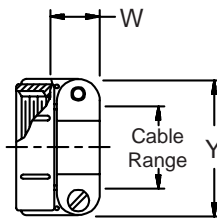
**TYPE D INDIVIDUAL
 OR OVERALL SHIELD
 TERMINATION**



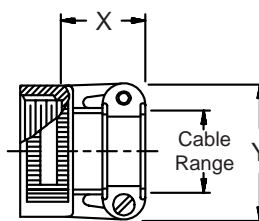
STYLE H
 Heavy Duty
 (Table X)



STYLE A
 Medium Duty
 (Table XI)



STYLE M
 Medium Duty
 (Table XI)



STYLE D
 Medium Duty
 (Table XI)

