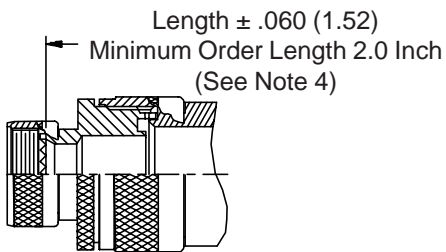
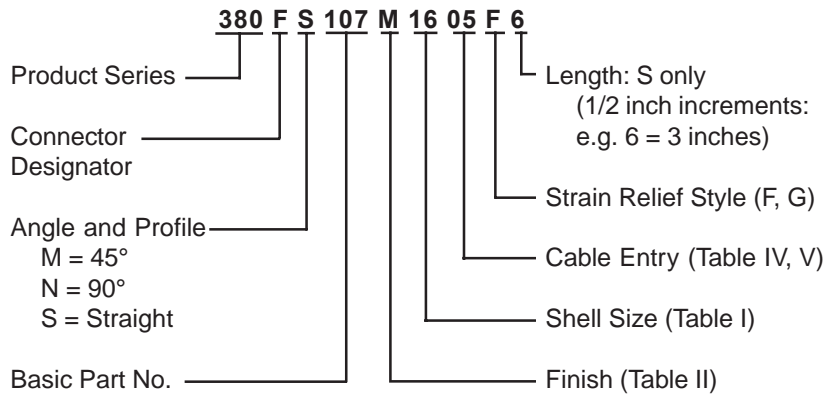
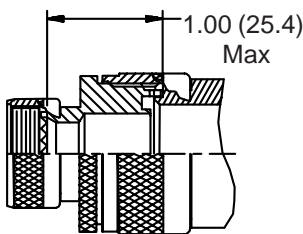
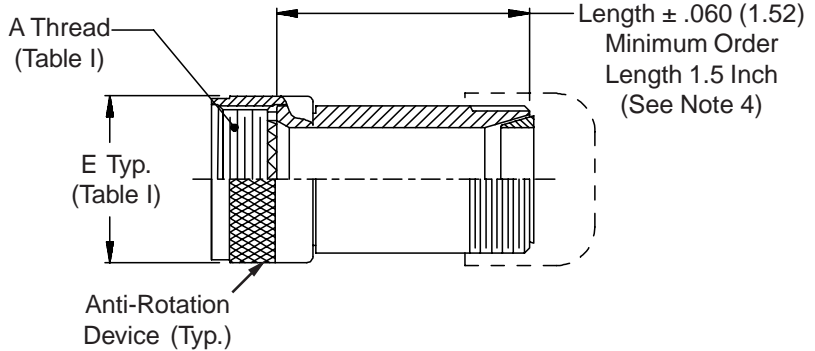


**CONNECTOR  
 DESIGNATORS  
 A-F-H-L-S  
 SELF-LOCKING  
 ROTATABLE  
 COUPLING**

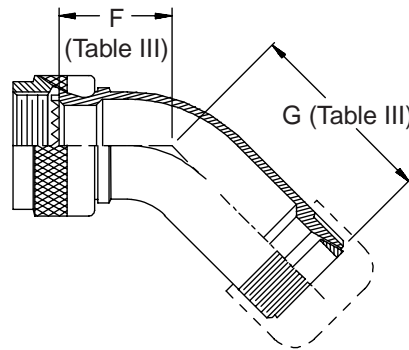
**TYPE D INDIVIDUAL  
 OR OVERALL  
 SHIELD TERMINATION**



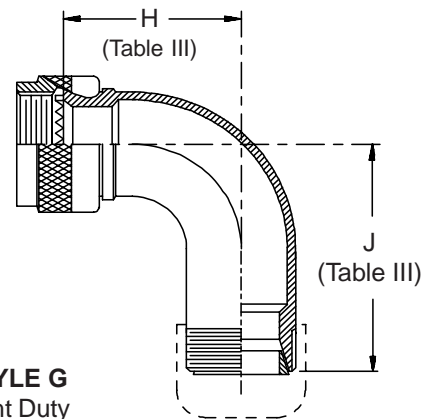
**STYLE 2  
 (STRAIGHT  
 See Note 1)**



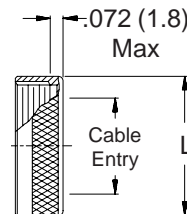
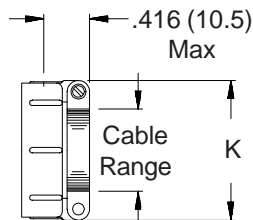
**STYLE 2  
 (45° & 90°  
 See Note 1)**



**STYLE F  
 Light Duty  
 (Table IV)**



**STYLE G  
 Light Duty  
 (Table V)**



**380-107**  
**EMI/RFI Non-Environmental Backshell**  
**with Strain Relief**  
**Type D - Self-Locking - Rotatable Coupling - Full Radius**



See inside back cover fold-out or pages 13 and 14 for unabridged Tables I and II.

**TABLE II: STANDARD FINISHES**

GLENAIR	
SYMBOL	FINISH
B	Cadmium Plate, Olive Drab
M	Electroless Nickel
NF	Cadmium Plate, Olive Drab Over Electroless Nickel
See Inside Back Cover for Additional Finish Options	

**TABLE III: ELBOW DIMENSIONS**

Shell Size		F		G		H		J	
Conn. Desig.	H	Max		Max		Max		Max	
A-F-L-S									
08	09	.963	(24.5)	.857	(21.8)	1.281	(32.5)	1.175	(29.8)
10	11	1.017	(25.8)	.911	(23.1)	1.406	(35.7)	1.300	(33.0)
12	13	1.067	(27.1)	.961	(24.4)	1.531	(38.9)	1.425	(36.2)
14	15	1.121	(28.5)	1.015	(25.8)	1.656	(42.1)	1.550	(39.4)
16	17	1.170	(29.7)	1.064	(27.0)	1.781	(45.2)	1.675	(42.5)
18	19	1.220	(31.0)	1.114	(28.3)	1.906	(48.4)	1.800	(45.7)
20	21	1.274	(32.4)	1.168	(29.7)	2.031	(51.6)	1.925	(48.9)
22	23	1.328	(33.7)	1.222	(31.0)	2.156	(54.8)	2.050	(52.1)
24	25	1.377	(35.0)	1.271	(32.3)	2.281	(57.9)	2.175	(55.2)
28		1.481	(37.6)	1.375	(34.9)	2.531	(64.3)	2.425	(61.6)
32		1.584	(40.2)	1.478	(37.5)	2.781	(70.6)	2.675	(67.9)

**TABLE IV: CABLE ENTRY**

Dash No.	K Max	Cable Range	
		Min	Max
02	.968 (24.6)	.125 (3.2)	.250 (6.4)
03	1.046 (26.6)	.250 (6.4)	.375 (9.5)
04	1.156 (29.4)	.312 (7.9)	.500 (12.7)
05	1.218 (30.9)	.437 (11.1)	.625 (15.9)
06	1.343 (34.1)	.562 (14.3)	.750 (19.1)
07	1.468 (37.3)	.687 (17.4)	.875 (22.2)
08	1.593 (40.5)	.812 (20.6)	1.000 (25.4)
10	1.843 (46.8)	1.062 (27.0)	1.250 (31.8)

**TABLE V: CABLE ENTRY**

Dash No.	L Max	Cable Entry Max
01	.656 (16.7)	.125 (3.2)
02	.781 (19.8)	.250 (6.4)
03	.906 (23.0)	.375 (9.5)
04	1.031 (26.2)	.500 (12.7)
05	1.156 (29.4)	.625 (15.9)
06	1.281 (32.5)	.750 (19.1)
07	1.406 (35.7)	.875 (22.2)
08	1.531 (38.9)	1.000 (25.4)
09	1.656 (42.1)	1.125 (28.6)
10	1.781 (45.2)	1.250 (31.8)

1. When maximum cable entry (page 21) is exceeded, Style 2 will be supplied. Dimensions F, G, H and J will not apply. Please consult factory.
2. Metric dimensions (mm) are indicated in parentheses.
3. Cable range is defined as the accommodations range for the wire bundle or cable. Dimensions shown are not intended for inspection criteria.
4. Consult factory for shorter lengths on straight backshells.