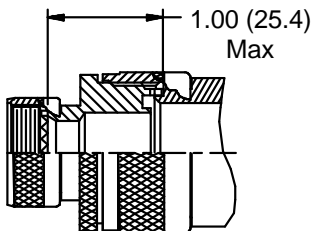
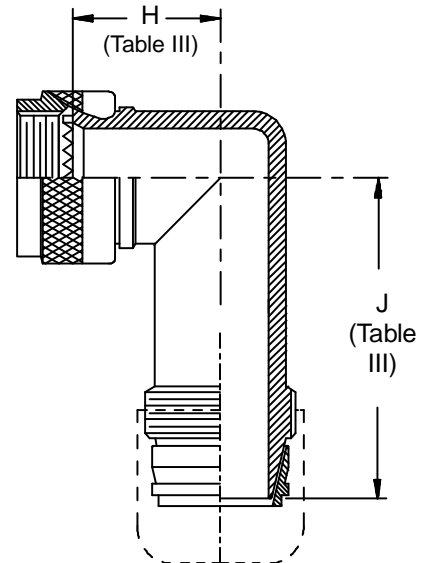
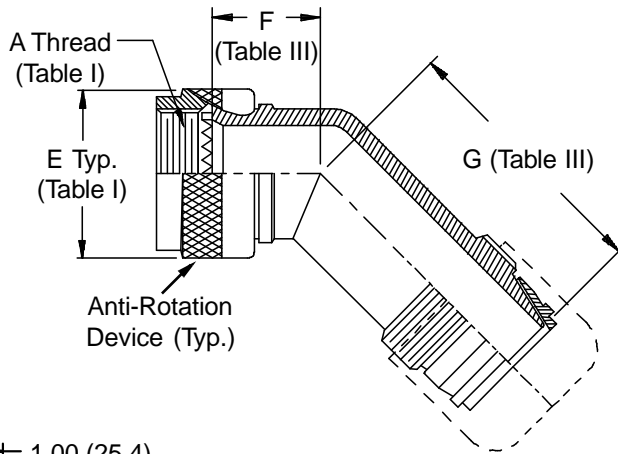
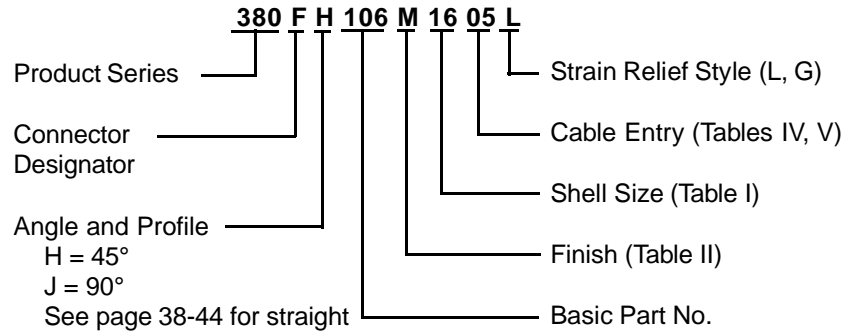
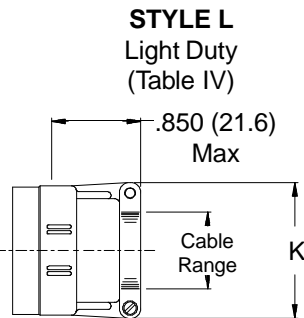


**CONNECTOR  
 DESIGNATORS  
 A-F-H-L-S  
 SELF-LOCKING  
 ROTATABLE  
 COUPLING**

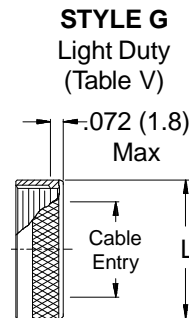
**TYPE C OVERALL  
 SHIELD TERMINATION**



**STYLE 2**  
 (See Note 1)



**STYLE L**  
 Light Duty  
 (Table IV)



**STYLE G**  
 Light Duty  
 (Table V)

**380-106**  
**EMI/RFI Non-Environmental Backshell**  
**Light-Duty with Strain Relief**  
**Type C - Self-Locking - Rotatable Coupling - Standard Profile**



See inside back cover fold-out or pages 13 and 14 for unabridged Tables I and II.

TABLE III: ELBOW DIMENSIONS									
Shell Size		F		G		H		J	
Conn. Desig.	H	Max		Max		Max		Max	
A-F-L-S									
08	09	.795	(20.2)	1.100	(27.9)	.906	(23.0)	1.210	(30.7)
10	11	.820	(20.8)	1.130	(28.7)	.966	(24.5)	1.270	(32.3)
12	13	.844	(21.4)	1.150	(29.2)	1.026	(26.1)	1.330	(33.8)
14	15	.861	(21.9)	1.180	(30.0)	1.076	(27.3)	1.400	(35.6)
16	17	.888	(22.6)	1.200	(30.5)	1.136	(28.9)	1.460	(37.1)
18	19	.904	(23.0)	1.210	(30.7)	1.176	(29.9)	1.480	(37.6)
20	21	.929	(23.6)	1.230	(31.2)	1.236	(31.4)	1.540	(39.1)
22	23	.956	(24.3)	1.270	(32.3)	1.296	(32.9)	1.620	(41.1)
24	25	.979	(24.9)	1.300	(33.0)	1.356	(34.4)	1.690	(42.9)
28		1.197	(30.4)	1.470	(37.3)	1.636	(41.6)	1.930	(49.0)
36		1.294	(32.9)	1.560	(39.6)	1.876	(47.7)	2.130	(54.1)
40		1.340	(34.0)	1.600	(40.6)	1.986	(50.4)	2.240	(56.9)

TABLE II: STANDARD FINISHES	
GLENAIR SYMBOL	FINISH
B	Cadmium Plate, Olive Drab
M	Electroless Nickel
NF	Cadmium Plate, Olive Drab Over Electroless Nickel
See Inside Back Cover for Additional Finish Options	

TABLE IV: CABLE ENTRY				
Dash No.	K Max	Cable Range		
		Min	Max	
01	.781 (19.8)	.062 (1.6)	.125 (3.2)	(3.2)
02	.968 (24.6)	.125 (3.2)	.250 (6.4)	(6.4)
03	1.046 (26.6)	.250 (6.4)	.375 (9.5)	(9.5)
04	1.156 (29.4)	.250 (6.4)	.500 (12.7)	(12.7)
05	1.218 (30.9)	.375 (9.5)	.625 (15.9)	(15.9)
06	1.343 (34.1)	.500 (12.7)	.750 (19.1)	(19.1)
07	1.468 (37.3)	.625 (15.9)	.875 (22.2)	(22.2)
08	1.593 (40.5)	.625 (15.9)	1.000 (25.4)	(25.4)
09	1.718 (43.6)	.750 (19.1)	1.125 (28.6)	(28.6)
10	1.843 (46.8)	.875 (22.2)	1.250 (31.8)	(31.8)

TABLE V: CABLE ENTRY			
Dash No.	L Max	Cable Entry	
		Max	
01	.593 (15.1)	.125 (3.2)	(3.2)
02	.718 (18.2)	.250 (6.4)	(6.4)
03	.843 (21.4)	.375 (9.5)	(9.5)
04	.968 (24.6)	.500 (12.7)	(12.7)
05	1.109 (28.2)	.625 (15.9)	(15.9)
06	1.218 (30.9)	.750 (19.1)	(19.1)
07	1.343 (34.1)	.875 (22.2)	(22.2)
08	1.468 (37.3)	1.000 (25.4)	(25.4)
09	1.593 (40.5)	1.125 (28.6)	(28.6)
10	1.718 (43.6)	1.250 (31.8)	(31.8)

1. When maximum cable entry (page 21) is exceeded, Style 2 will be supplied. Dimensions F, G, H and J will not apply. Please consult factory.
2. Metric dimensions (mm) are indicated in parentheses.
3. Cable range is defined as the accommodations range for the wire bundle or cable. Dimensions shown are not intended for inspection criteria.