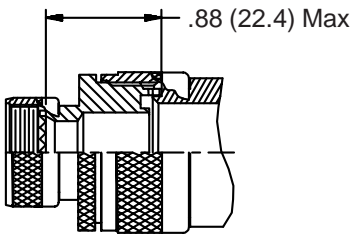
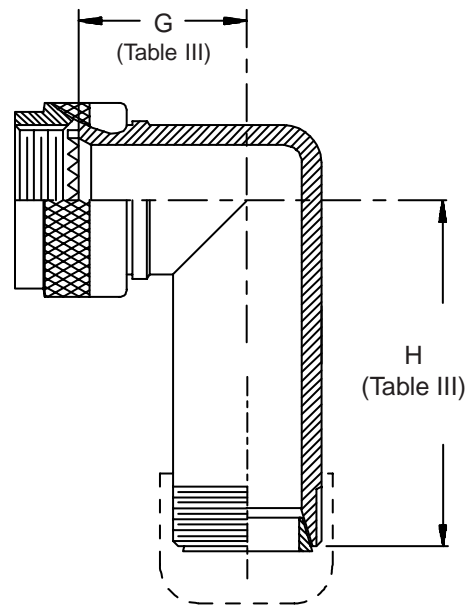
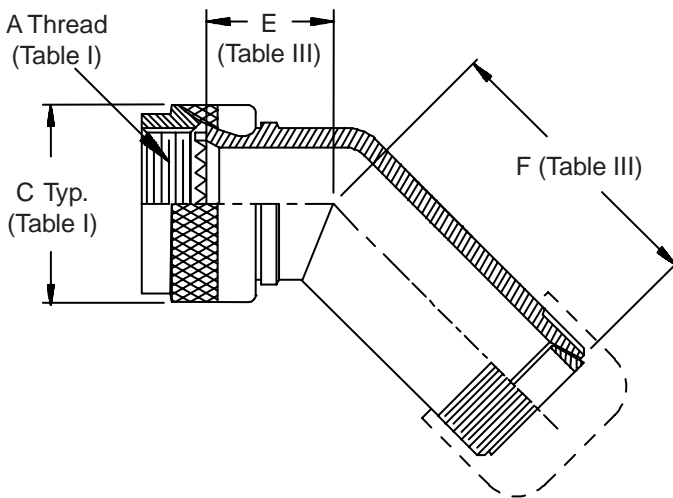
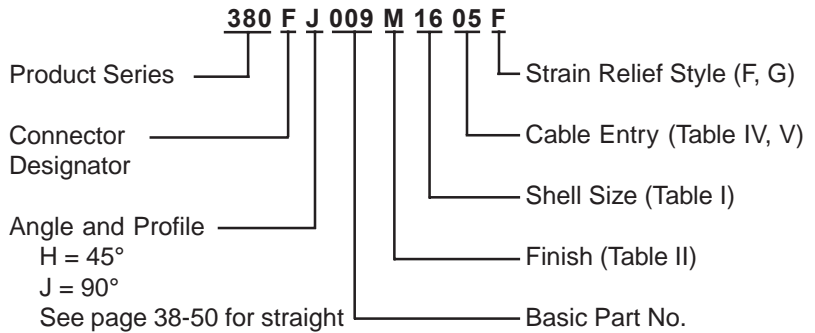


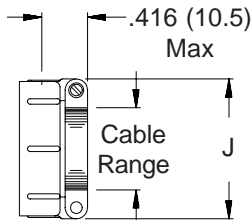
**CONNECTOR  
DESIGNATORS  
A-F-H-L-S  
ROTATABLE  
COUPLING**

**TYPE D INDIVIDUAL  
OR OVERALL  
SHIELD TERMINATION**

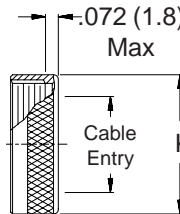


**STYLE 2**  
(See Note 1)

**STYLE F**  
Light Duty  
(Table IV)



**STYLE G**  
Light Duty  
(Table V)



**380-009**  
**EMI/RFI Non-Environmental Backshell**  
 with Strain Relief  
 Type D - Rotatable Coupling - Standard Profile



See inside back cover fold-out or pages 13 and 14 for unabridged Tables I and II.

Shell Size		E Max	F Max	G Max	H Max
Conn. Desig. A-F-L-S	H				
08	09	.639 (16.2)	.760 (19.3)	.750 (19.1)	.860 (21.8)
10	11	.664 (16.9)	.790 (20.1)	.810 (20.6)	.930 (23.6)
12	13	.688 (17.5)	.810 (20.6)	.870 (22.1)	.990 (25.1)
14	15	.705 (17.9)	.840 (21.3)	.920 (23.4)	1.050 (26.7)
16	17	.732 (18.6)	.860 (21.8)	.980 (24.9)	1.110 (28.2)
18	19	.748 (19.0)	.870 (22.1)	1.020 (25.9)	1.160 (29.5)
20	21	.773 (19.6)	.890 (22.6)	1.080 (27.4)	1.230 (31.2)
22	23	.800 (20.3)	.930 (23.6)	1.140 (29.0)	1.280 (32.5)
24	25	.823 (20.9)	.960 (24.4)	1.200 (30.5)	1.350 (34.3)
28		1.041 (26.4)	1.130 (28.7)	1.480 (37.6)	1.590 (40.4)
32		1.092 (27.7)	1.170 (29.7)	1.610 (40.9)	1.680 (42.7)
36		1.138 (28.9)	1.220 (31.0)	1.720 (43.7)	1.790 (45.5)

GLENAIR	
SYMBOL	FINISH
B	Cadmium Plate, Olive Drab
M	Electroless Nickel
NF	Cadmium Plate, Olive Drab Over Electroless Nickel
See Inside Back Cover for Additional Finish Options	

Dash No.	J Max	Cable Range	
		Min	Max
02	.968 (24.6)	.125 (3.2)	.250 (6.4)
03	1.046 (26.6)	.250 (6.4)	.375 (9.5)
04	1.156 (29.4)	.312 (7.9)	.500 (12.7)
05	1.218 (30.9)	.437 (11.1)	.625 (15.9)
06	1.343 (34.1)	.562 (14.3)	.750 (19.1)
07	1.468 (37.3)	.687 (17.4)	.875 (22.2)
08	1.593 (40.5)	.812 (20.6)	1.000 (25.4)
10	1.843 (46.8)	1.062 (27.0)	1.250 (31.8)

Dash No.	K Max	Cable Entry Max
02	.781 (19.8)	.250 (6.4)
03	.906 (23.0)	.375 (9.5)
04	1.031 (26.2)	.500 (12.7)
05	1.156 (29.4)	.625 (15.9)
06	1.281 (32.5)	.750 (19.1)
07	1.406 (35.7)	.875 (22.2)
08	1.531 (38.9)	1.000 (25.4)
09	1.656 (42.1)	1.125 (28.6)
10	1.781 (45.2)	1.250 (31.8)

1. Metric dimensions (mm) are indicated in parentheses.
2. Cable range is defined as the accommodations range for the wire bundle or cable. Dimensions shown are not intended for inspection criteria.
3. When maximum cable entry (page 21) is exceeded, Style 2 will be supplied. Dimensions E, F, G and H will not apply. Please consult factory.
4. -445 "NESTOR" modification not available for MIL-DTL-38999 Series II.

**-445** Add "-445" to Specify Glenair's Non-Detent, ("NESTOR") Spring-Loaded, Self-Locking Coupling. See Page 41 for Details.