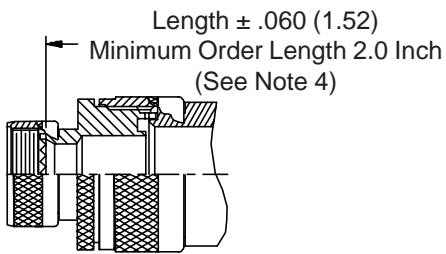
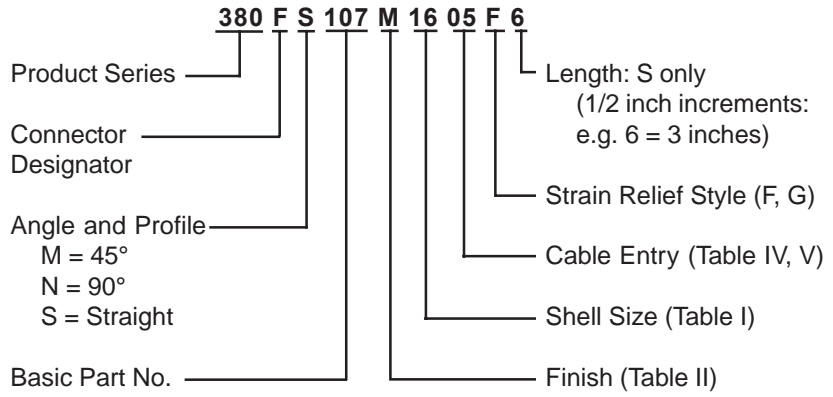
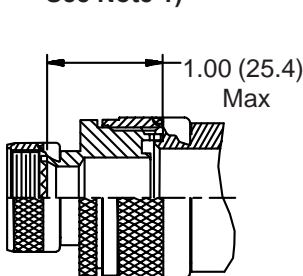
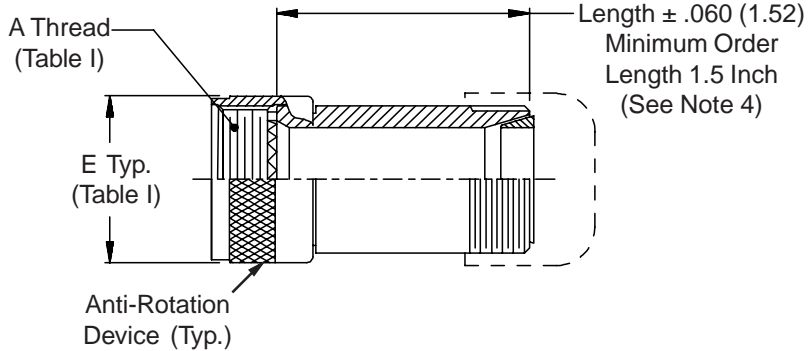


**CONNECTOR
 DESIGNATORS
 A-F-H-L-S
 SELF-LOCKING
 ROTATABLE
 COUPLING**

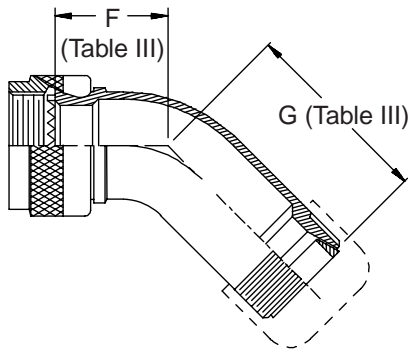
**TYPE D INDIVIDUAL
 OR OVERALL
 SHIELD TERMINATION**



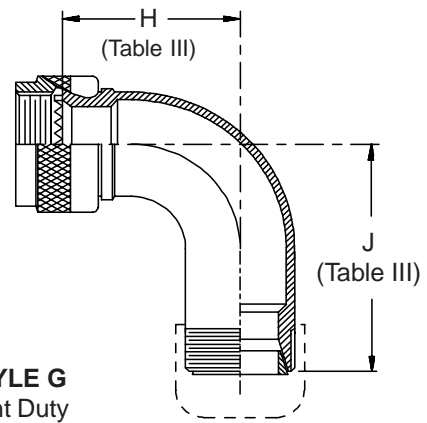
**STYLE 2
 (STRAIGHT
 See Note 1)**



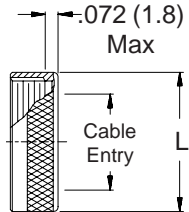
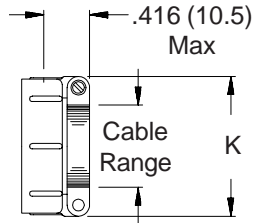
**STYLE 2
 (45° & 90°
 See Note 1)**



**STYLE F
 Light Duty
 (Table IV)**



**STYLE G
 Light Duty
 (Table V)**



380-107
EMI/RFI Non-Environmental Backshell
with Strain Relief
Type D - Self-Locking - Rotatable Coupling - Full Radius



See inside back cover fold-out or pages 13 and 14 for unabridged Tables I and II.

TABLE II: STANDARD FINISHES

GLENAIR	
SYMBOL	FINISH
B	Cadmium Plate, Olive Drab
M	Electroless Nickel
NF	Cadmium Plate, Olive Drab Over Electroless Nickel
See Inside Back Cover for Additional Finish Options	

TABLE III: ELBOW DIMENSIONS

Shell Size		F	G	H	J
Conn. Desig.	H	Max	Max	Max	Max
A-F-L-S					
08	09	.963 (24.5)	.857 (21.8)	1.281 (32.5)	1.175 (29.8)
10	11	1.017 (25.8)	.911 (23.1)	1.406 (35.7)	1.300 (33.0)
12	13	1.067 (27.1)	.961 (24.4)	1.531 (38.9)	1.425 (36.2)
14	15	1.121 (28.5)	1.015 (25.8)	1.656 (42.1)	1.550 (39.4)
16	17	1.170 (29.7)	1.064 (27.0)	1.781 (45.2)	1.675 (42.5)
18	19	1.220 (31.0)	1.114 (28.3)	1.906 (48.4)	1.800 (45.7)
20	21	1.274 (32.4)	1.168 (29.7)	2.031 (51.6)	1.925 (48.9)
22	23	1.328 (33.7)	1.222 (31.0)	2.156 (54.8)	2.050 (52.1)
24	25	1.377 (35.0)	1.271 (32.3)	2.281 (57.9)	2.175 (55.2)
28		1.481 (37.6)	1.375 (34.9)	2.531 (64.3)	2.425 (61.6)
32		1.584 (40.2)	1.478 (37.5)	2.781 (70.6)	2.675 (67.9)

TABLE IV: CABLE ENTRY

Dash No.	K Max	Cable Range	
		Min	Max
02	.968 (24.6)	.125 (3.2)	.250 (6.4)
03	1.046 (26.6)	.250 (6.4)	.375 (9.5)
04	1.156 (29.4)	.312 (7.9)	.500 (12.7)
05	1.218 (30.9)	.437 (11.1)	.625 (15.9)
06	1.343 (34.1)	.562 (14.3)	.750 (19.1)
07	1.468 (37.3)	.687 (17.4)	.875 (22.2)
08	1.593 (40.5)	.812 (20.6)	1.000 (25.4)
10	1.843 (46.8)	1.062 (27.0)	1.250 (31.8)

TABLE V: CABLE ENTRY

Dash No.	L Max	Cable Entry Max
01	.656 (16.7)	.125 (3.2)
02	.781 (19.8)	.250 (6.4)
03	.906 (23.0)	.375 (9.5)
04	1.031 (26.2)	.500 (12.7)
05	1.156 (29.4)	.625 (15.9)
06	1.281 (32.5)	.750 (19.1)
07	1.406 (35.7)	.875 (22.2)
08	1.531 (38.9)	1.000 (25.4)
09	1.656 (42.1)	1.125 (28.6)
10	1.781 (45.2)	1.250 (31.8)

1. When maximum cable entry (page 21) is exceeded, Style 2 will be supplied. Dimensions F, G, H and J will not apply. Please consult factory.
2. Metric dimensions (mm) are indicated in parentheses.
3. Cable range is defined as the accommodations range for the wire bundle or cable. Dimensions shown are not intended for inspection criteria.
4. Consult factory for shorter lengths on straight backshells.