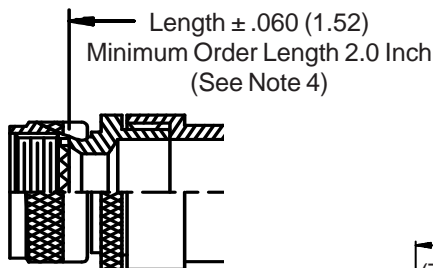
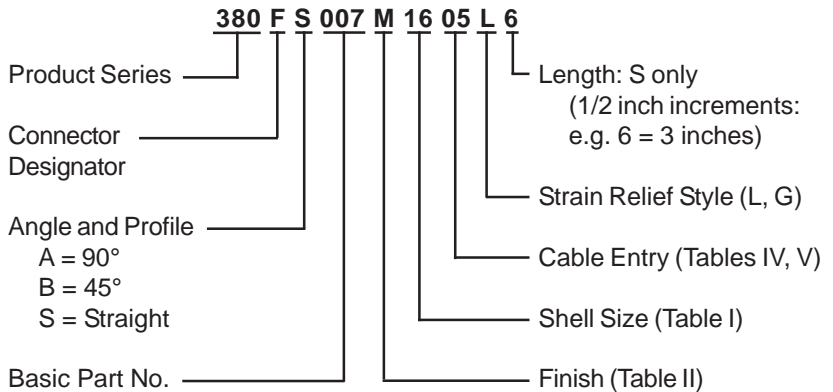


**CONNECTOR
 DESIGNATORS
 A-F-H-L-S**

**ROTATABLE
 COUPLING**

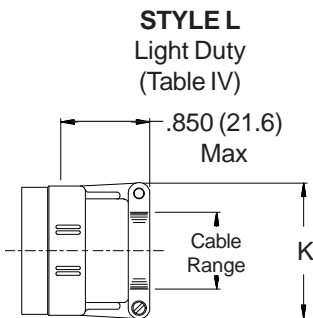
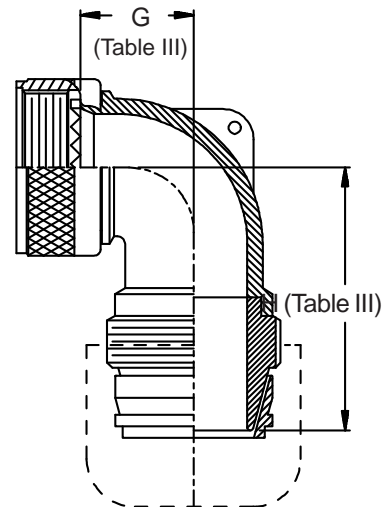
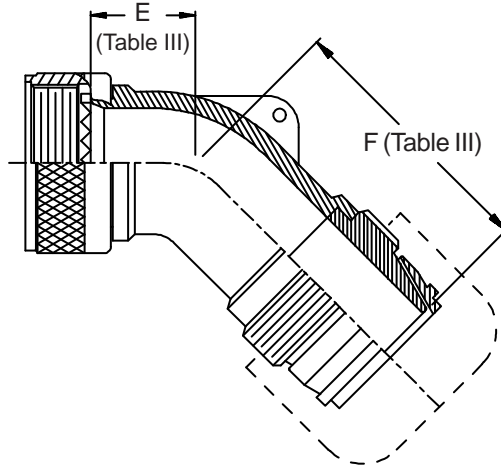
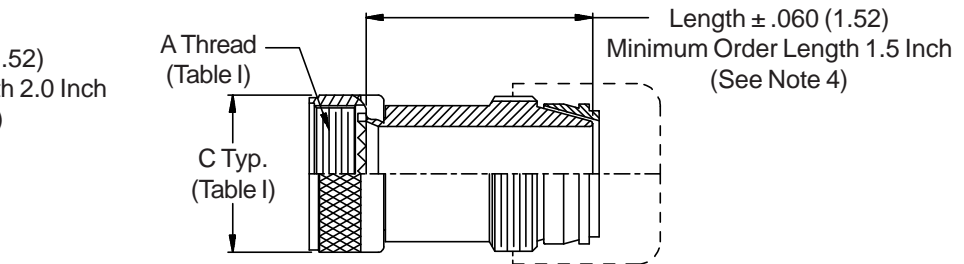
**TYPE C OVERALL
 SHIELD TERMINATION**



**STYLE 2
 (STRAIGHT
 See Note 1)**



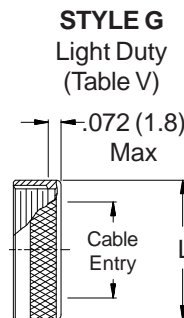
**STYLE 2
 (45° & 90°
 See Note 1)**



**STYLE L
 Light Duty
 (Table IV)**

-445 Now Available with the "NESTOR"

**Glenair's Non-Detent,
 Spring-Loaded, Self-
 Locking Coupling.**
 Add "-445" to Specify
 This AS85049 Style "N"
 Coupling Interface.



**STYLE G
 Light Duty
 (Table V)**

See inside back cover fold-out or pages 13 and 14 for unabridged Tables I and II.

TABLE III: ELBOW DIMENSIONS

| Shell Size | | E | | F | | G | | H | |
|-------------------------|----|-------|--------|-------|--------|-------|--------|-------|--------|
| Conn. Desig. A-F-L-S | H | Max | | Max | | Max | | Max | |
| 08 | 09 | .457 | (11.6) | 1.680 | (42.7) | .500 | (12.7) | 1.781 | (45.2) |
| 10 | 11 | .520 | (13.2) | 1.740 | (44.2) | .595 | (15.1) | 1.901 | (48.3) |
| 12 | 13 | .582 | (14.8) | 1.800 | (45.7) | .610 | (15.5) | 1.921 | (48.8) |
| 14 | 15 | .645 | (16.4) | 1.890 | (48.0) | .700 | (17.8) | 1.991 | (50.6) |
| 16 | 17 | .738 | (18.7) | 2.000 | (50.8) | .885 | (22.5) | 2.081 | (52.9) |
| 18 | 19 | .926 | (23.5) | 2.190 | (55.6) | .975 | (24.8) | 2.251 | (57.2) |
| 20 | 21 | .926 | (23.5) | 2.190 | (55.6) | .975 | (24.8) | 2.251 | (57.2) |
| 22 | 23 | 1.020 | (25.9) | 2.340 | (59.4) | 1.125 | (28.6) | 2.361 | (60.0) |
| 24 | 25 | 1.020 | (25.9) | 2.340 | (59.4) | 1.125 | (28.6) | 2.361 | (60.0) |
| 28 | | 1.145 | (29.1) | 2.390 | (60.7) | 1.225 | (31.1) | 2.531 | (64.3) |
| 36 | | 1.207 | (30.7) | 2.490 | (63.2) | 1.575 | (40.0) | 2.781 | (70.6) |
| 40 | | 1.238 | (31.4) | 2.580 | (65.5) | 1.775 | (45.1) | 2.781 | (70.6) |

TABLE II: STANDARD FINISHES

| GLENAIR | |
|--|--|
| SYMBOL | FINISH |
| B | Cadmium Plate, Olive Drab |
| M | Electroless Nickel |
| NF | Cadmium Plate, Olive Drab Over Electroless Nickel |
| See Inside Back Cover for Additional Finish Options | |

TABLE IV: CABLE ENTRY

| Dash No. | K Max | Cable Range | |
|----------|--------------|-------------|--------------|
| | | Min | Max |
| 01 | .781 (19.8) | .062 (1.6) | .125 (3.2) |
| 02 | .968 (24.6) | .125 (3.2) | .250 (6.4) |
| 03 | 1.046 (26.6) | .250 (6.4) | .375 (9.5) |
| 04 | 1.156 (29.4) | .250 (6.4) | .500 (12.7) |
| 05 | 1.218 (30.9) | .375 (9.5) | .625 (15.9) |
| 06 | 1.343 (34.1) | .500 (12.7) | .750 (19.1) |
| 07 | 1.468 (37.3) | .625 (15.9) | .875 (22.2) |
| 08 | 1.593 (40.5) | .625 (15.9) | 1.000 (25.4) |
| 09 | 1.718 (43.6) | .750 (19.1) | 1.125 (28.6) |
| 10 | 1.843 (46.8) | .875 (22.2) | 1.250 (31.8) |

TABLE V: CABLE ENTRY

| Dash No. | L Max | Cable Entry Max |
|----------|--------------|-----------------|
| | | |
| 02 | .718 (18.2) | .250 (6.4) |
| 03 | .843 (21.4) | .375 (9.5) |
| 04 | .968 (24.6) | .500 (12.7) |
| 05 | 1.109 (28.2) | .625 (15.9) |
| 06 | 1.218 (30.9) | .750 (19.1) |
| 07 | 1.343 (34.1) | .875 (22.2) |
| 08 | 1.468 (37.3) | 1.000 (25.4) |
| 09 | 1.593 (40.5) | 1.125 (28.6) |
| 10 | 1.718 (43.6) | 1.250 (31.8) |

- When maximum cable entry (page 21) is exceeded, Style 2 will be supplied. Dimensions E, F, G and H will not apply. Please consult factory.
- Metric dimensions (mm) are indicated in parentheses.
- Cable range is defined as the accommodations range for the wire bundle or cable. Dimensions shown are not intended for inspection criteria.
- Consult factory for shorter lengths on straight backshells.