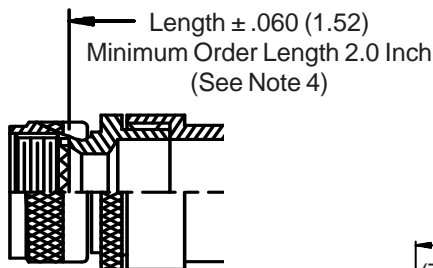
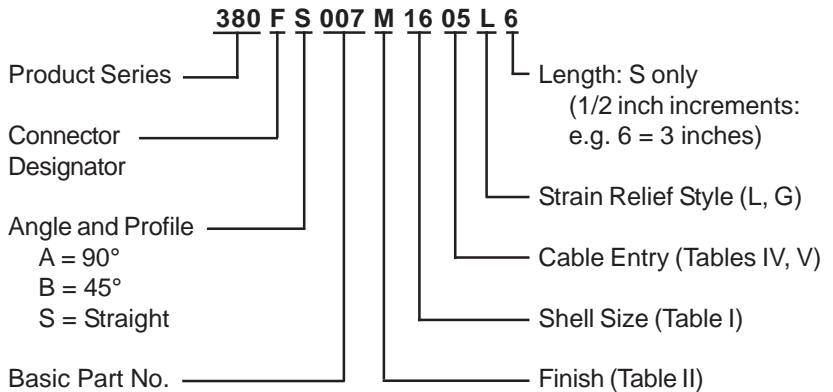


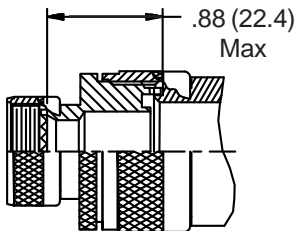
**CONNECTOR DESIGNATORS**  
**A-F-H-L-S**

**ROTATABLE COUPLING**

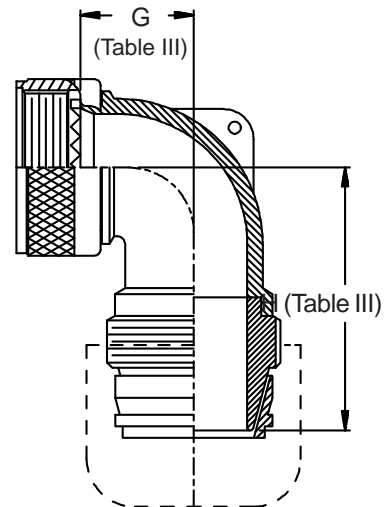
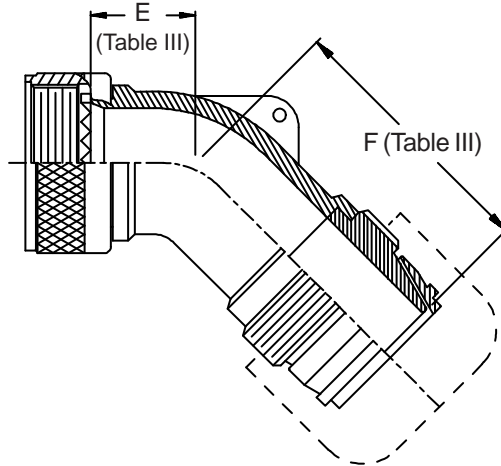
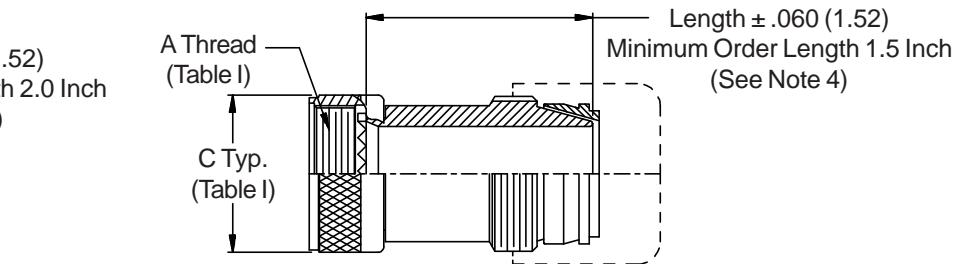
**TYPE C OVERALL SHIELD TERMINATION**



**STYLE 2 (STRAIGHT)**  
 See Note 1)



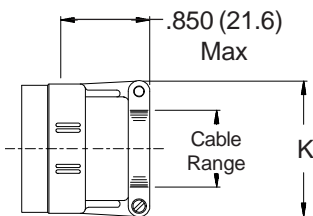
**STYLE 2 (45° & 90°)**  
 See Note 1)



**-445** Now Available with the "NESTOR"

**Glenair's Non-Detent, Spring-Loaded, Self-Locking Coupling.**  
 Add "-445" to Specify This AS85049 Style "N" Coupling Interface.

**STYLE L**  
 Light Duty  
 (Table IV)



**STYLE G**  
 Light Duty  
 (Table V)

