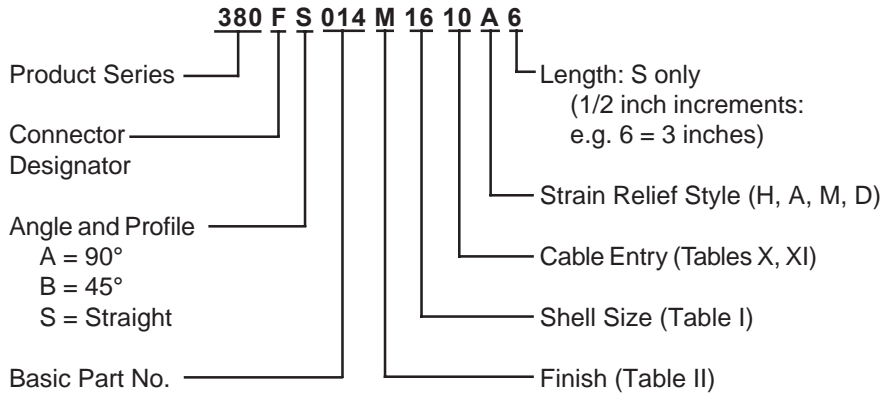


**380-014**  
**EMI/RFI Non-Environmental Backshell**  
**with Strain Relief**  
**Type D - Direct Coupling - Low Profile**

**CONNECTOR DESIGNATORS**  
**A-B\*-C-D-E-F**  
**G-H-J-K-L-S**

\* Conn. Desig. B See Note 5  
**DIRECT COUPLING**



**TYPE D INDIVIDUAL OR OVERALL SHIELD TERMINATION**

