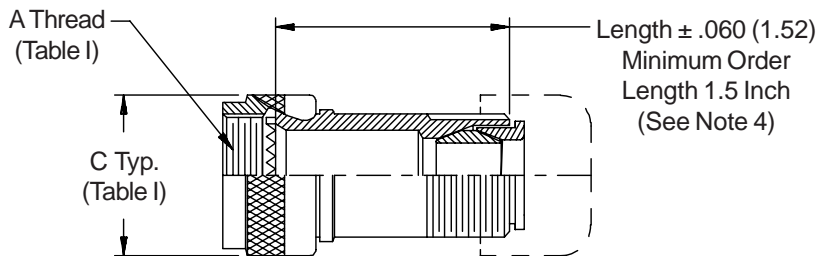
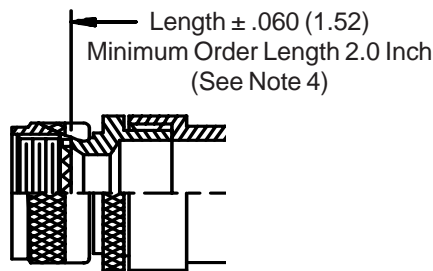
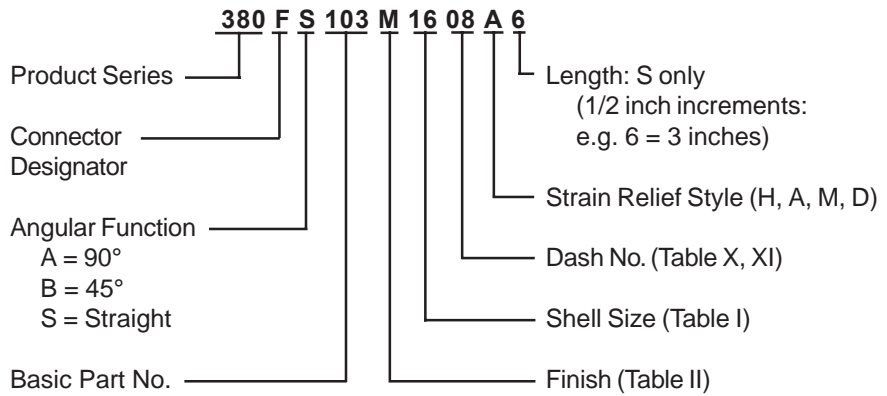


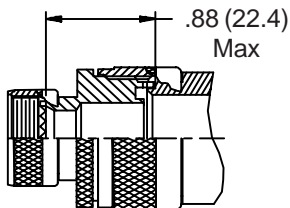
**380-103**  
**EMI/RFI Non-Environmental Backshell**  
 with Strain Relief  
**Type F - Rotatable Coupling - Low Profile**

**CONNECTOR DESIGNATORS**  
**A-F-H-L-S**  
**ROTATABLE COUPLING**

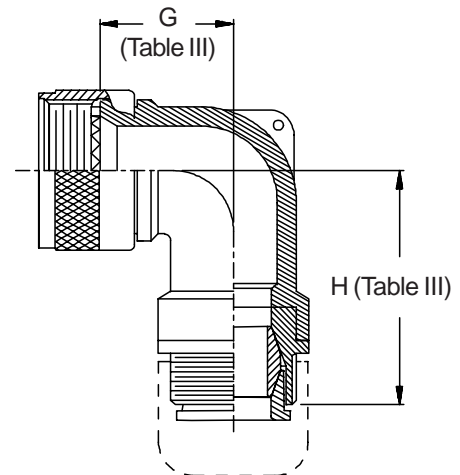
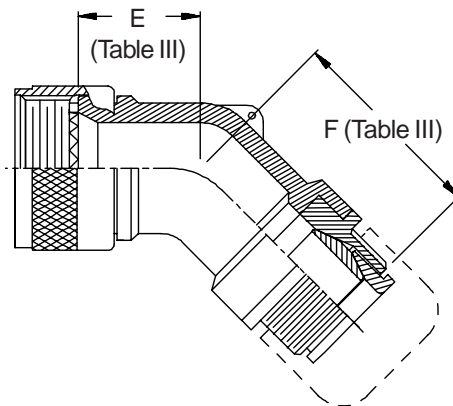
**TYPE F INDIVIDUAL AND/OR OVERALL SHIELD TERMINATION**



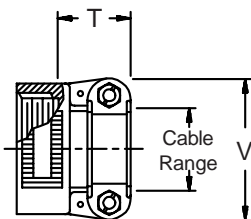
**STYLE 2 (STRAIGHT)**  
 See Note 1)



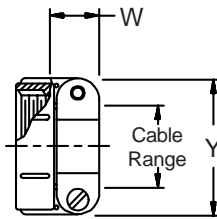
**STYLE 2 (45° & 90°)**  
 See Note 1)



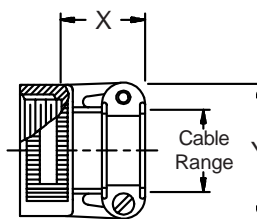
**STYLE H Heavy Duty**  
 (Table X)



**STYLE A Medium Duty**  
 (Table XI)



**STYLE M Medium Duty**  
 (Table XI)



**STYLE D Medium Duty**  
 (Table XI)

