

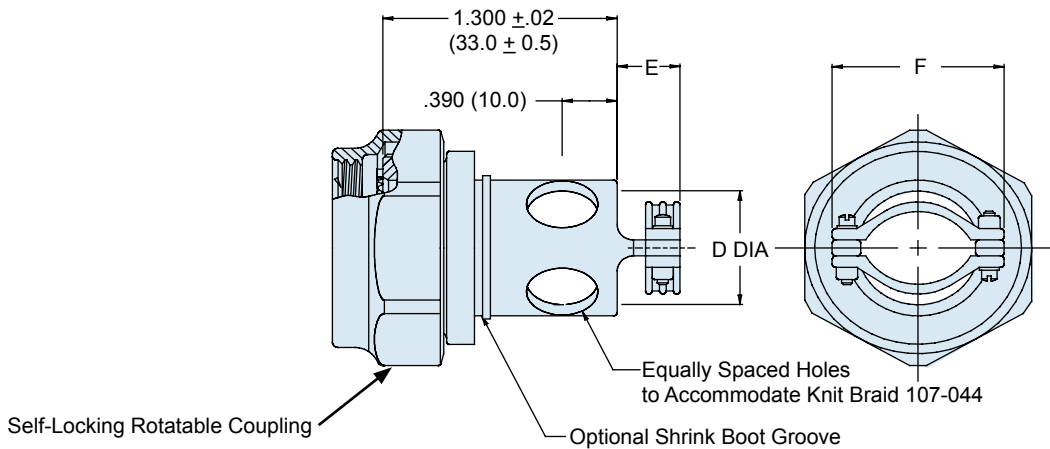
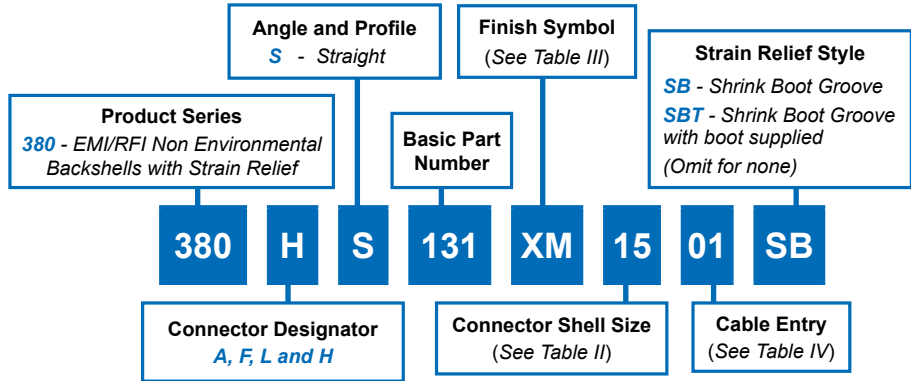
380-131 Composite Knit-Braid Style EMI/RFI Shield Termination Backshell with Strain-Relief Clamp and Rotatable Coupling



Composite Backshells

A

| CONNECTOR DESIGNATOR: | |
|---------------------------|---|
| A | MIL-DTL-5015, -26482 Series II, and -83723 Series I and III |
| F | MIL-DTL-38999 Series I, II |
| L | MIL-DTL-38999 Series 1.5 (JN1003) |
| H | MIL-DTL-38999 Series III and IV |
| ROTATABLE COUPLING | |



| TABLE II: SHELL SIZE | | | |
|----------------------|------------------|------------|------------------|
| Shell Size | Max Entry Code** | Shell Size | Max Entry Code** |
| A | | F/L H | |
| 08 | 00 | 08 09 | 01 |
| 10 | 01 | 10 11 | 02 |
| 12 | 02 | 12 13 | 03 |
| 14 | 03 | 14 15 | 04 |
| 16 | 04 | 16 17 | 05 |
| 18 | 05 | 18 19 | 06 |
| 20 | 06 | 20 21 | 07 |
| 22 | 07 | 22 23 | 08 |
| 24 | 08 | 24 25 | 09 |

| TABLE IV: CABLE ENTRY | | | | | |
|-----------------------|----------------|----------------|---------------|-----------------|--|
| Entry Code** | D ±.010 (0.25) | E ±.020 (0.50) | F ±.060 (1.5) | Number of Holes | |
| 00 | .268 (6.8) | .512 (13.0) | .880 (22.4) | 2* | |
| 01 | .354 (9.0) | .512 (13.0) | .940 (23.9) | 2** | |
| 02 | .472 (12.0) | .512 (13.0) | 1.170 (29.7) | 2** | |
| 03 | .591 (15.0) | .630 (16.0) | 1.280 (32.5) | 2* | |
| 04 | .709 (18.0) | .630 (16.0) | 1.410 (35.8) | 2* | |
| 05 | .837 (21.3) | .630 (16.0) | 1.500 (38.1) | 2* | |
| 06 | .945 (24.0) | .630 (16.0) | 1.560 (39.6) | 2* | |
| 07 | 1.063 (27.0) | .630 (16.0) | 1.690 (42.9) | 4* | |
| 08 | 1.191 (30.3) | .630 (16.0) | 1.820 (46.2) | 4* | |
| 09 | 1.319 (33.5) | .630 (16.0) | 1.910 (48.5) | 4* | |

*Oval Holes, .256 (6.5) x .512 (13.0) **Oval Holes, .315 (8.0) x .512 (13.0)
 *Circular Holes, .512 (13.0) Diameter.

- ### APPLICATION NOTES
- Coupling nut and saddle bars supplied unplated.
 - Metric dimensions (mm) are in parentheses and are for reference only.
 - Consult factory for additional entry sizes available.
 - For angled part requirements, use in conjunction with Glenair 327-060 Extenders.
 - See Table I in Intro for additional connector front-end dimensions.

| TABLE III: FINISH | |
|-------------------|---|
| Symbol | Finish Description |
| XM | 2000 Hour Corrosion Resistant Electroless Nickel |
| XMT | 2000 Hour Corrosion Resistant Ni-PTFE, Nickel-Fluorocarbon Polymer. 1000 Hour Grey™ |
| XW | 2000 Hour Corrosion Resistant Cadmium/Olive Drab over Electroless Nickel |