

Series 80 Mighty Mouse EMI Backshell Ordering Information

380MS137, 380MS135, 380MB137 and 380MA137



380MS135

EMI backshells feature an EMI ring for easy shield termination.

Straight Entry backshells are available with direct coupling or rotatable coupling.

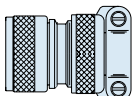
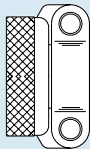
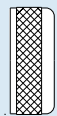
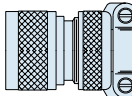
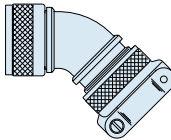
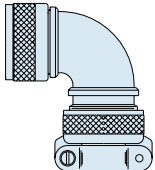
45° and 90° adapters feature rotatable coupling nuts.

MATERIALS

| | |
|---------------------------------|--|
| Adapter, Clamp, Nut and Saddles | Aluminum Alloy 6061-T6 or 300 Series Stainless Steel |
| O-Rings | Silicone Rubber |
| Hardware | 300 Series Stainless Steel |

HOW TO ORDER

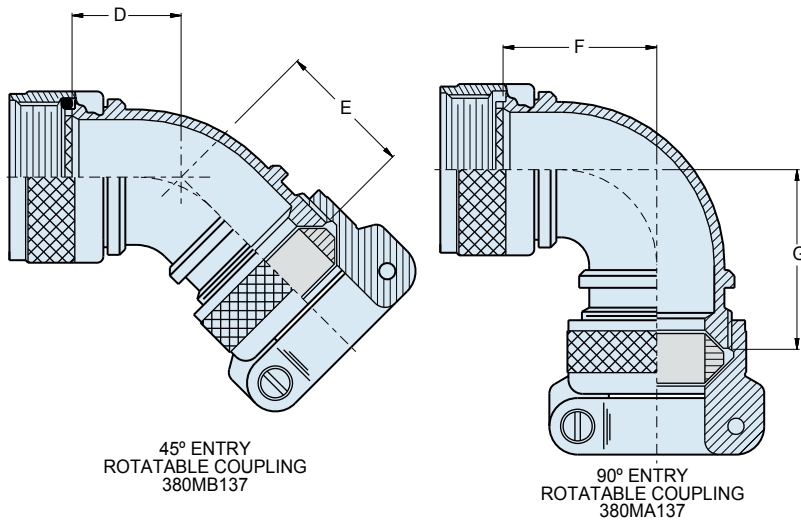
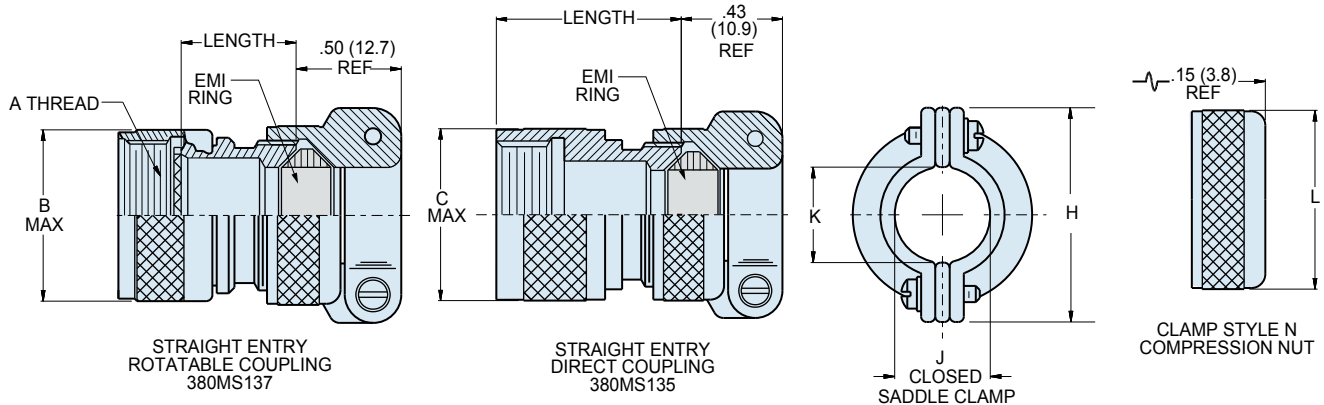
Sample Part Number

| 380MS137 | M | 07 | 04- | 6 | N | | | | | | | | | | | | | | | | | | | | | | | | | | | | | | | | | | | | | | | | | | | | | | | | | | | | | | | | | | | | | | | | | | | | | | | | | | | | | | |
|---|--|---|------------------|-------------|-------------|----------|----|----------|----|----------|----|----------|----|----------|----|----------|----|----------|----|----------|----|----------|----|----------|----|-----------|--|------------------|--------------------------------|-----|-----|-----|-----|-----|-----|-----|-----|-----|-----|-----|-----|-----|-----|-----|-----|-----|-----|---|-------------|-----------------|---|------|---|------|---|------|---|-------|---|-------|----|-------|----|-------|----|-------|----|-------|----|-------|----|-------|----|-------|----|-------|----|-------|----|-------|----|-------|---|
| Part Number | Shell Material / Finish | Size Code | Cable Entry Code | Length | Clamp Style | | | | | | | | | | | | | | | | | | | | | | | | | | | | | | | | | | | | | | | | | | | | | | | | | | | | | | | | | | | | | | | | | | | | | | | | | | | | | | |
|  380MS137 Straight Entry, Rotatable Coupling | C Aluminum / Black Anodize (Non-Conductive) RoHS Compliant M Aluminum / Electroless Nickel RoHS Compliant NF Aluminum / Cadmium with Olive Drab Chromate ZN Aluminum / Zinc-Nickel with Olive Drab Chromate ZNU Aluminum / Zinc-Nickel with Black Chromate MT Aluminum / Nickel-PTFE RoHS Compliant Z1 Stainless Steel / Passivated RoHS Compliant | <table border="1"> <thead> <tr> <th style="text-align: center;">Size Code</th> <th style="text-align: center;">Thread Size</th> </tr> </thead> <tbody> <tr><td style="text-align: center;">05</td><td style="text-align: center;">.2500-32</td></tr> <tr><td style="text-align: center;">06</td><td style="text-align: center;">.3125-32</td></tr> <tr><td style="text-align: center;">11</td><td style="text-align: center;">.3750-32</td></tr> <tr><td style="text-align: center;">07</td><td style="text-align: center;">.4375-28</td></tr> <tr><td style="text-align: center;">08</td><td style="text-align: center;">.5000-28</td></tr> <tr><td style="text-align: center;">09</td><td style="text-align: center;">.5625-24</td></tr> <tr><td style="text-align: center;">10</td><td style="text-align: center;">.6250-24</td></tr> <tr><td style="text-align: center;">12</td><td style="text-align: center;">.6875-24</td></tr> <tr><td style="text-align: center;">13</td><td style="text-align: center;">.7500-20</td></tr> <tr><td style="text-align: center;">14</td><td style="text-align: center;">.9375-20</td></tr> <tr><td style="text-align: center;">17</td><td style="text-align: center;">1.1875-18</td></tr> </tbody> </table> | Size Code | Thread Size | 05 | .2500-32 | 06 | .3125-32 | 11 | .3750-32 | 07 | .4375-28 | 08 | .5000-28 | 09 | .5625-24 | 10 | .6250-24 | 12 | .6875-24 | 13 | .7500-20 | 14 | .9375-20 | 17 | 1.1875-18 | <table border="1"> <thead> <tr> <th style="text-align: center;">Cable Entry Code</th> <th style="text-align: center;">Saddle Clamp Dia. Fully Closed</th> </tr> </thead> <tbody> <tr><td style="text-align: center;">01-</td><td style="text-align: center;">.11</td></tr> <tr><td style="text-align: center;">02-</td><td style="text-align: center;">.17</td></tr> <tr><td style="text-align: center;">03-</td><td style="text-align: center;">.23</td></tr> <tr><td style="text-align: center;">04-</td><td style="text-align: center;">.30</td></tr> <tr><td style="text-align: center;">05-</td><td style="text-align: center;">.36</td></tr> <tr><td style="text-align: center;">06-</td><td style="text-align: center;">.42</td></tr> <tr><td style="text-align: center;">07-</td><td style="text-align: center;">.48</td></tr> <tr><td style="text-align: center;">08-</td><td style="text-align: center;">.55</td></tr> <tr><td style="text-align: center;">09-</td><td style="text-align: center;">.61</td></tr> </tbody> </table> | Cable Entry Code | Saddle Clamp Dia. Fully Closed | 01- | .11 | 02- | .17 | 03- | .23 | 04- | .30 | 05- | .36 | 06- | .42 | 07- | .48 | 08- | .55 | 09- | .61 | Straight Entry 380MS Only <table border="1"> <thead> <tr> <th style="text-align: center;">Length Code</th> <th style="text-align: center;">Length (Inches)</th> </tr> </thead> <tbody> <tr><td style="text-align: center;">5</td><td style="text-align: center;">.625</td></tr> <tr><td style="text-align: center;">6</td><td style="text-align: center;">.750</td></tr> <tr><td style="text-align: center;">7</td><td style="text-align: center;">.875</td></tr> <tr><td style="text-align: center;">8</td><td style="text-align: center;">1.000</td></tr> <tr><td style="text-align: center;">9</td><td style="text-align: center;">1.125</td></tr> <tr><td style="text-align: center;">10</td><td style="text-align: center;">1.250</td></tr> <tr><td style="text-align: center;">11</td><td style="text-align: center;">1.375</td></tr> <tr><td style="text-align: center;">12</td><td style="text-align: center;">1.500</td></tr> <tr><td style="text-align: center;">13</td><td style="text-align: center;">1.625</td></tr> <tr><td style="text-align: center;">14</td><td style="text-align: center;">1.750</td></tr> <tr><td style="text-align: center;">15</td><td style="text-align: center;">1.875</td></tr> <tr><td style="text-align: center;">16</td><td style="text-align: center;">2.000</td></tr> <tr><td style="text-align: center;">17</td><td style="text-align: center;">2.125</td></tr> <tr><td style="text-align: center;">18</td><td style="text-align: center;">2.250</td></tr> <tr><td style="text-align: center;">19</td><td style="text-align: center;">2.375</td></tr> <tr><td style="text-align: center;">20</td><td style="text-align: center;">2.500</td></tr> </tbody> </table> Specify length in increments of .125 inches (3.18 mm.) | Length Code | Length (Inches) | 5 | .625 | 6 | .750 | 7 | .875 | 8 | 1.000 | 9 | 1.125 | 10 | 1.250 | 11 | 1.375 | 12 | 1.500 | 13 | 1.625 | 14 | 1.750 | 15 | 1.875 | 16 | 2.000 | 17 | 2.125 | 18 | 2.250 | 19 | 2.375 | 20 | 2.500 |  Omit for screw clamp with saddle bars  N Optional Compression Nut, Low Profile |
| | | | Size Code | Thread Size | | | | | | | | | | | | | | | | | | | | | | | | | | | | | | | | | | | | | | | | | | | | | | | | | | | | | | | | | | | | | | | | | | | | | | | | | | | | | | | |
| | | | 05 | .2500-32 | | | | | | | | | | | | | | | | | | | | | | | | | | | | | | | | | | | | | | | | | | | | | | | | | | | | | | | | | | | | | | | | | | | | | | | | | | | | | | | |
| | | | 06 | .3125-32 | | | | | | | | | | | | | | | | | | | | | | | | | | | | | | | | | | | | | | | | | | | | | | | | | | | | | | | | | | | | | | | | | | | | | | | | | | | | | | | |
| 11 | .3750-32 | | | | | | | | | | | | | | | | | | | | | | | | | | | | | | | | | | | | | | | | | | | | | | | | | | | | | | | | | | | | | | | | | | | | | | | | | | | | | | | | | | |
| 07 | .4375-28 | | | | | | | | | | | | | | | | | | | | | | | | | | | | | | | | | | | | | | | | | | | | | | | | | | | | | | | | | | | | | | | | | | | | | | | | | | | | | | | | | | |
| 08 | .5000-28 | | | | | | | | | | | | | | | | | | | | | | | | | | | | | | | | | | | | | | | | | | | | | | | | | | | | | | | | | | | | | | | | | | | | | | | | | | | | | | | | | | |
| 09 | .5625-24 | | | | | | | | | | | | | | | | | | | | | | | | | | | | | | | | | | | | | | | | | | | | | | | | | | | | | | | | | | | | | | | | | | | | | | | | | | | | | | | | | | |
| 10 | .6250-24 | | | | | | | | | | | | | | | | | | | | | | | | | | | | | | | | | | | | | | | | | | | | | | | | | | | | | | | | | | | | | | | | | | | | | | | | | | | | | | | | | | |
| 12 | .6875-24 | | | | | | | | | | | | | | | | | | | | | | | | | | | | | | | | | | | | | | | | | | | | | | | | | | | | | | | | | | | | | | | | | | | | | | | | | | | | | | | | | | |
| 13 | .7500-20 | | | | | | | | | | | | | | | | | | | | | | | | | | | | | | | | | | | | | | | | | | | | | | | | | | | | | | | | | | | | | | | | | | | | | | | | | | | | | | | | | | |
| 14 | .9375-20 | | | | | | | | | | | | | | | | | | | | | | | | | | | | | | | | | | | | | | | | | | | | | | | | | | | | | | | | | | | | | | | | | | | | | | | | | | | | | | | | | | |
| 17 | 1.1875-18 | | | | | | | | | | | | | | | | | | | | | | | | | | | | | | | | | | | | | | | | | | | | | | | | | | | | | | | | | | | | | | | | | | | | | | | | | | | | | | | | | | |
| Cable Entry Code | Saddle Clamp Dia. Fully Closed | | | | | | | | | | | | | | | | | | | | | | | | | | | | | | | | | | | | | | | | | | | | | | | | | | | | | | | | | | | | | | | | | | | | | | | | | | | | | | | | | | |
| 01- | .11 | | | | | | | | | | | | | | | | | | | | | | | | | | | | | | | | | | | | | | | | | | | | | | | | | | | | | | | | | | | | | | | | | | | | | | | | | | | | | | | | | | |
| 02- | .17 | | | | | | | | | | | | | | | | | | | | | | | | | | | | | | | | | | | | | | | | | | | | | | | | | | | | | | | | | | | | | | | | | | | | | | | | | | | | | | | | | | |
| 03- | .23 | | | | | | | | | | | | | | | | | | | | | | | | | | | | | | | | | | | | | | | | | | | | | | | | | | | | | | | | | | | | | | | | | | | | | | | | | | | | | | | | | | |
| 04- | .30 | | | | | | | | | | | | | | | | | | | | | | | | | | | | | | | | | | | | | | | | | | | | | | | | | | | | | | | | | | | | | | | | | | | | | | | | | | | | | | | | | | |
| 05- | .36 | | | | | | | | | | | | | | | | | | | | | | | | | | | | | | | | | | | | | | | | | | | | | | | | | | | | | | | | | | | | | | | | | | | | | | | | | | | | | | | | | | |
| 06- | .42 | | | | | | | | | | | | | | | | | | | | | | | | | | | | | | | | | | | | | | | | | | | | | | | | | | | | | | | | | | | | | | | | | | | | | | | | | | | | | | | | | | |
| 07- | .48 | | | | | | | | | | | | | | | | | | | | | | | | | | | | | | | | | | | | | | | | | | | | | | | | | | | | | | | | | | | | | | | | | | | | | | | | | | | | | | | | | | |
| 08- | .55 | | | | | | | | | | | | | | | | | | | | | | | | | | | | | | | | | | | | | | | | | | | | | | | | | | | | | | | | | | | | | | | | | | | | | | | | | | | | | | | | | | |
| 09- | .61 | | | | | | | | | | | | | | | | | | | | | | | | | | | | | | | | | | | | | | | | | | | | | | | | | | | | | | | | | | | | | | | | | | | | | | | | | | | | | | | | | | |
| Length Code | Length (Inches) | | | | | | | | | | | | | | | | | | | | | | | | | | | | | | | | | | | | | | | | | | | | | | | | | | | | | | | | | | | | | | | | | | | | | | | | | | | | | | | | | | |
| 5 | .625 | | | | | | | | | | | | | | | | | | | | | | | | | | | | | | | | | | | | | | | | | | | | | | | | | | | | | | | | | | | | | | | | | | | | | | | | | | | | | | | | | | |
| 6 | .750 | | | | | | | | | | | | | | | | | | | | | | | | | | | | | | | | | | | | | | | | | | | | | | | | | | | | | | | | | | | | | | | | | | | | | | | | | | | | | | | | | | |
| 7 | .875 | | | | | | | | | | | | | | | | | | | | | | | | | | | | | | | | | | | | | | | | | | | | | | | | | | | | | | | | | | | | | | | | | | | | | | | | | | | | | | | | | | |
| 8 | 1.000 | | | | | | | | | | | | | | | | | | | | | | | | | | | | | | | | | | | | | | | | | | | | | | | | | | | | | | | | | | | | | | | | | | | | | | | | | | | | | | | | | | |
| 9 | 1.125 | | | | | | | | | | | | | | | | | | | | | | | | | | | | | | | | | | | | | | | | | | | | | | | | | | | | | | | | | | | | | | | | | | | | | | | | | | | | | | | | | | |
| 10 | 1.250 | | | | | | | | | | | | | | | | | | | | | | | | | | | | | | | | | | | | | | | | | | | | | | | | | | | | | | | | | | | | | | | | | | | | | | | | | | | | | | | | | | |
| 11 | 1.375 | | | | | | | | | | | | | | | | | | | | | | | | | | | | | | | | | | | | | | | | | | | | | | | | | | | | | | | | | | | | | | | | | | | | | | | | | | | | | | | | | | |
| 12 | 1.500 | | | | | | | | | | | | | | | | | | | | | | | | | | | | | | | | | | | | | | | | | | | | | | | | | | | | | | | | | | | | | | | | | | | | | | | | | | | | | | | | | | |
| 13 | 1.625 | | | | | | | | | | | | | | | | | | | | | | | | | | | | | | | | | | | | | | | | | | | | | | | | | | | | | | | | | | | | | | | | | | | | | | | | | | | | | | | | | | |
| 14 | 1.750 | | | | | | | | | | | | | | | | | | | | | | | | | | | | | | | | | | | | | | | | | | | | | | | | | | | | | | | | | | | | | | | | | | | | | | | | | | | | | | | | | | |
| 15 | 1.875 | | | | | | | | | | | | | | | | | | | | | | | | | | | | | | | | | | | | | | | | | | | | | | | | | | | | | | | | | | | | | | | | | | | | | | | | | | | | | | | | | | |
| 16 | 2.000 | | | | | | | | | | | | | | | | | | | | | | | | | | | | | | | | | | | | | | | | | | | | | | | | | | | | | | | | | | | | | | | | | | | | | | | | | | | | | | | | | | |
| 17 | 2.125 | | | | | | | | | | | | | | | | | | | | | | | | | | | | | | | | | | | | | | | | | | | | | | | | | | | | | | | | | | | | | | | | | | | | | | | | | | | | | | | | | | |
| 18 | 2.250 | | | | | | | | | | | | | | | | | | | | | | | | | | | | | | | | | | | | | | | | | | | | | | | | | | | | | | | | | | | | | | | | | | | | | | | | | | | | | | | | | | |
| 19 | 2.375 | | | | | | | | | | | | | | | | | | | | | | | | | | | | | | | | | | | | | | | | | | | | | | | | | | | | | | | | | | | | | | | | | | | | | | | | | | | | | | | | | | |
| 20 | 2.500 | | | | | | | | | | | | | | | | | | | | | | | | | | | | | | | | | | | | | | | | | | | | | | | | | | | | | | | | | | | | | | | | | | | | | | | | | | | | | | | | | | |
|  380MS135 Straight Entry, Direct Coupling | | | | | | | | | | | | | | | | | | | | | | | | | | | | | | | | | | | | | | | | | | | | | | | | | | | | | | | | | | | | | | | | | | | | | | | | | | | | | | | | | | | |
|  380MB137 45° Entry | | | | | | | | | | | | | | | | | | | | | | | | | | | | | | | | | | | | | | | | | | | | | | | | | | | | | | | | | | | | | | | | | | | | | | | | | | | | | | | | | | | |
|  380MA137 90° Entry | | | | | | | | | | | | | | | | | | | | | | | | | | | | | | | | | | | | | | | | | | | | | | | | | | | | | | | | | | | | | | | | | | | | | | | | | | | | | | | | | | | |

Dimensions in inches (millimeters) and are subject to change without notice.

Series 80 Mighty Mouse EMI Backshell Dimensions

380MS137, 380MS135, 380MB137 and 380MA137



| DIMENSIONS | | | | | | | |
|------------|-----------|--------|-------|--------|-------|--------------|-------|
| Size Code | A Thds. | B Max. | | C Max. | | Std. Length* | |
| | | In. | mm. | In. | mm. | In. | mm. |
| 05 | .2500-32 | .470 | 11.94 | .350 | 8.89 | .750 | 19.05 |
| 06 | .3125-32 | .530 | 13.46 | .415 | 10.54 | .750 | 19.05 |
| 11 | .3750-32 | .570 | 14.48 | .465 | 11.68 | .750 | 19.05 |
| 07 | .4375-28 | .637 | 16.18 | .530 | 13.46 | .750 | 19.05 |
| 08 | .5000-28 | .700 | 17.78 | .595 | 15.11 | .750 | 19.05 |
| 09 | .5625-24 | .758 | 19.25 | .650 | 16.51 | .750 | 19.05 |
| 10 | .6250-24 | .819 | 20.80 | .715 | 18.16 | .750 | 19.05 |
| 12 | .6875-24 | .896 | 22.76 | .785 | 19.94 | .880 | 22.35 |
| 13 | .7500-20 | .930 | 23.62 | .830 | 21.08 | .880 | 22.35 |
| 14 | .9375-20 | 1.137 | 28.88 | 1.020 | 25.91 | 1.000 | 25.40 |
| 17 | 1.1875-18 | 1.387 | 35.23 | 1.280 | 32.51 | 1.130 | 28.70 |

*Choose standard length for best availability

| Cable Entry Code | D Max. | | E Max. | | F Max. | | G Max. | | H | | Ø J Closed | | Ø K | | Ø L | |
|------------------|--------|-------|--------|-------|--------|-------|--------|-------|--------|--------|------------|--------|--------|--------|--------|--------|
| | In. | mm. | In. | mm. | In. | mm. | In. | mm. | ± .015 | ± 0.38 | ± .030 | ± 0.76 | ± .015 | ± 0.38 | ± .015 | ± 0.38 |
| | In. | mm. | In. | mm. | In. | mm. | In. | mm. | In. | mm. | In. | mm. | In. | mm. | In. | mm. |
| 01 | .603 | 15.32 | .581 | 14.76 | .724 | 18.39 | .702 | 17.83 | .496 | 12.60 | .110 | 2.79 | .119 | 3.02 | .398 | 10.11 |
| 02 | .603 | 15.32 | .581 | 14.76 | .724 | 18.39 | .702 | 17.83 | .582 | 14.78 | .170 | 4.32 | .182 | 4.62 | .460 | 11.68 |
| 03 | .603 | 15.32 | .581 | 14.76 | .724 | 18.39 | .702 | 17.83 | .656 | 16.66 | .230 | 5.84 | .244 | 6.20 | .523 | 13.28 |
| 04 | .629 | 15.98 | .607 | 15.42 | .786 | 19.96 | .764 | 19.41 | .726 | 18.44 | .300 | 7.62 | .307 | 7.80 | .585 | 14.86 |
| 05 | .629 | 15.98 | .607 | 15.42 | .786 | 19.96 | .764 | 19.41 | .885 | 22.48 | .360 | 9.14 | .369 | 9.37 | .647 | 16.43 |
| 06 | .655 | 16.64 | .633 | 16.00 | .848 | 21.54 | .826 | 20.98 | .952 | 24.18 | .420 | 10.67 | .432 | 10.97 | .710 | 18.03 |
| 07 | .655 | 16.64 | .633 | 16.00 | .848 | 21.54 | .826 | 20.98 | 1.018 | 25.86 | .480 | 12.19 | .494 | 12.55 | .773 | 19.63 |
| 08 | .707 | 17.96 | .685 | 17.40 | .911 | 23.14 | .889 | 22.58 | 1.084 | 27.53 | .550 | 13.97 | .557 | 14.15 | .835 | 21.21 |
| 09 | .707 | 17.96 | .685 | 17.40 | .911 | 23.14 | .889 | 22.58 | 1.148 | 29.16 | .610 | 15.49 | .619 | 15.72 | .897 | 22.78 |

Dimensions in inches (millimeters) and are subject to change without notice.